

INSTALLATION INSTRUCTIONS #INST261: REALTRUCK BACKRACK KIT #30228 2022 Toyota Tundra

READ THIS NOW!

Your truck should look like the one shown. If you think you are missing any parts, think that this part number is not for your truck or have any installation question, call our customer service department at toll free: 888-588-6101 or locally 800-265-8137.

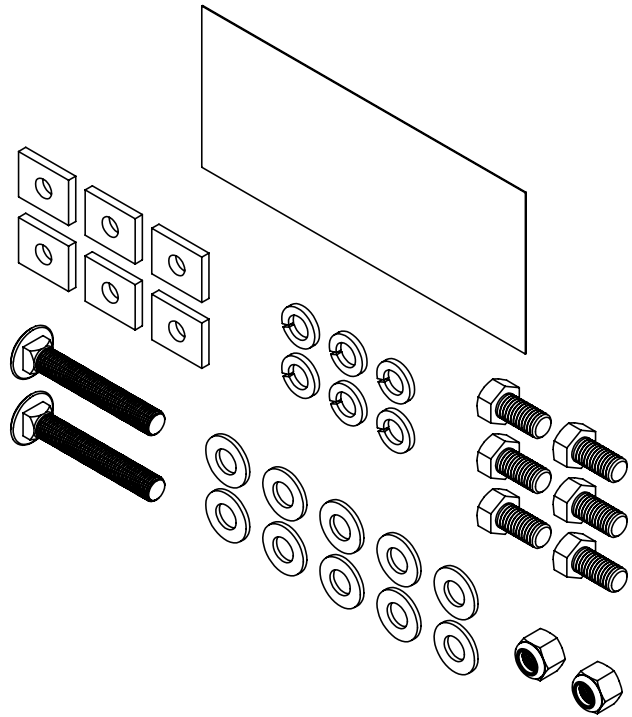
Other ways to reach RealTruck Backrack:
email: info@backrack.ca
Support@backrack.com



The RealTruck Backrack is secured to your truck with a pair of "Stake Pocket Bolts" specifically designed for your make and model of truck. These bolts mount into each of the two front stake pockets. The RealTruck Backrack assembly sits on the bed rails of your truck and is secured to these Stake Pocket Bolts. If your truck has a BEDLINER we suggest you remove it to install the Stake Pocket Bolts

PARTS LIST FOR KIT #30228

PART	DESCRIPTION	QTY	
RMB548D	Rail Mount Bracket Driver	1	STANDARD
RMB548P	Rail Mount Bracket Passenger	1	
TB548D	Toolbox Bracket Driver	1	TOOL-BOX
TB548P	Toolbox Bracket Passenger	1	
HARDWARE BAG568			
INST261	Installation Instructions	1	
FYZ014	1/2"-20 x 3.25" Carriage Bolt Grade 8	2	
FYZ008	1/2"-20 Nylon Hex Lock Nut	2	
FYZ035	Threaded Square Plate	6	
FYZ010	1/2" Lock Washer	6	
FYZ011	1/2" Flat Washer	10	
FYZ033	1/2"-13 Hex Bolt Grade 5	6	

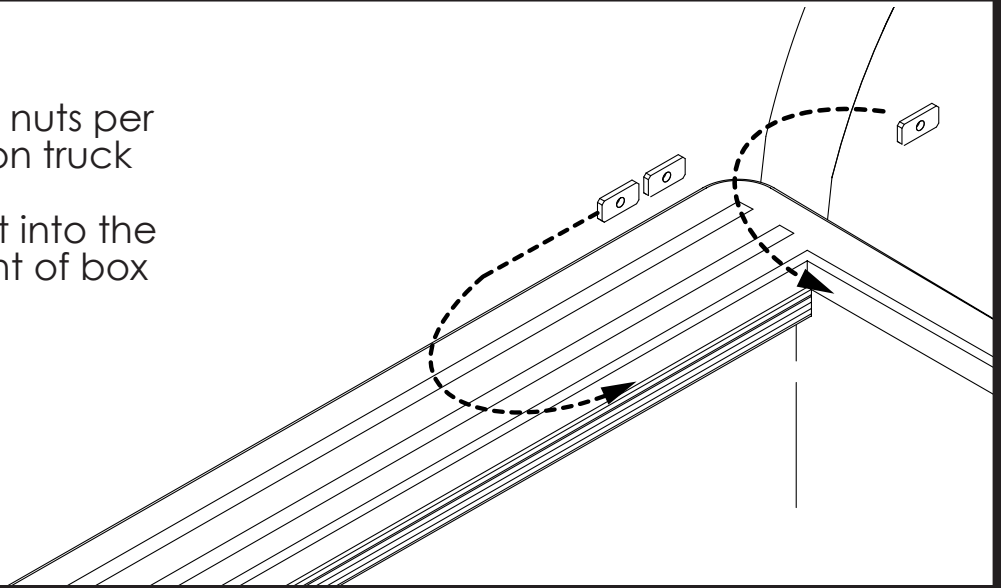


FOR MORE INFORMATION SCAN HERE!



1

Install two (per side) T-nuts per side into C channel on truck bed
Install 1 (per side) T-nut into the front C channel at front of box

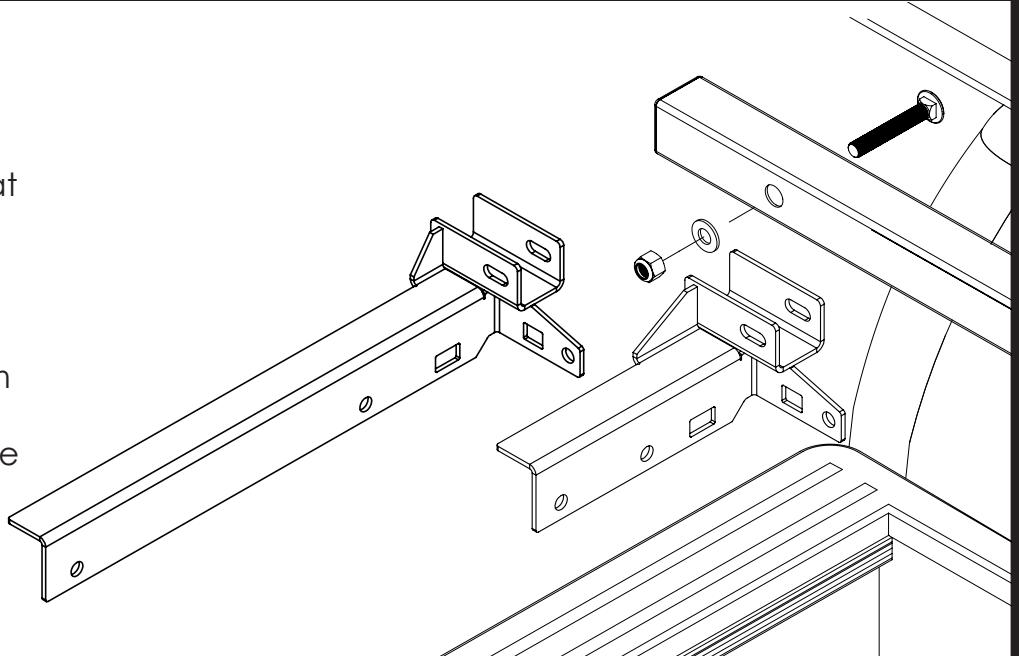


2

Fasten the RealTruck Backrack to the Rail mount or Toolbox bracket. Finger tighten at this stage.

****IMPORTANT****

Install the carriage bolt as shown in the diagram with the round head closest to the cab. Failure to do so could result in damage to the cab or rear window.



3

Fasten the RealTruck Backrack Assembly to the C channel on truck bed, align the T nuts and install bolt, lock washer and washer. Center the RealTruck Backrack assembly on the truck and final torque all bolts starting with the nuts on the inside of the truck bed, then the rail mount bracket and finally the main RealTruck Backrack carriage bolt

