

BACKRACK™

FUNCTION AND STYLE FOR TODAY'S TRUCKS

INSTALLATION INSTRUCTIONS #INST000:

BACKRACK KIT #30331, 30331TB

2019-Curent Ford Ranger

READ THIS NOW!

Your truck should look like the one shown. If you think you are missing any parts, think that this part number is not for your truck or have any installation question, call our customer service department at toll free:

800-265-8137 or locally **905 849-3633**.

Other ways to reach BACKRACK:

Fax **905-849-4116**

email: techsupport@backrack.ca



The BACKRACK is secured to your truck with 3/8" clamp bolts and clamp plates (if applicable) specifically designed for your make and model of truck. These bolts mount into each of the two bed rails. The BACKRACK assembly sits on the bed rails of your truck. If your truck has a BEDLINER we suggest you remove it to install the rail mount brackets.

PARTS LIST FOR KIT #30331

PART	DESCRIPTION	QTY
RMB331D	Rear Mount Bracket Driver	1
RMB331P	Rear Mount Bracket Passenger	1
HARDWARE BAG331		
INST000	Installation Instruction	1
FYZ001	3/8"-16 Hex Nut	4
FYZ002	3/8" Lock Washer	4
FYZ003	3/8" Flat Washer	4
FYZ008	1/2"-20 Nylon Hex Lock Nut	2
FYZ011	1/2" Flat Washer	2
FYZ014	1/2"-20 x 3.25" Carriage Bolt Grade 8	2
FYZ067	3/8"-16 X 2.5 Full Thd Hex Bolt Grade 5	4
SBY954S	Stake Pocket Bolt Nut Assembly	4
SBY969S	Clamp Plate	2
DB9X8ET	Poly Bag	1

PARTS LIST FOR KIT #30331TB

PART	DESCRIPTION	QTY
TB524D	Toolbox Bracket Driver	1
TB524P	Toolbox Bracket Passenger	1
SBY971S	Clamp Plate	2
HARDWARE BAG961		
INST000	Installation Instruction	1
FYZ001	3/8"-16 Hex Nut	6
FYZ002	3/8" Lock Washer	6
FYZ003	3/8" Flat Washer	6
FYZ008	1/2"-20 Nylon Hex Lock Nut	2
FYZ011	1/2" Flat Washer	2
FYZ014	1/2"-20 x 3.25" Carriage Bolt Grade 8	2
FYZ067	3/8"-16 X 2.5 Full Thd Hex Bolt Grade 5	6
SBY954S	Stake Pocket Bolt Nut Assembly	6
DB9X8ET	Poly Bag	1

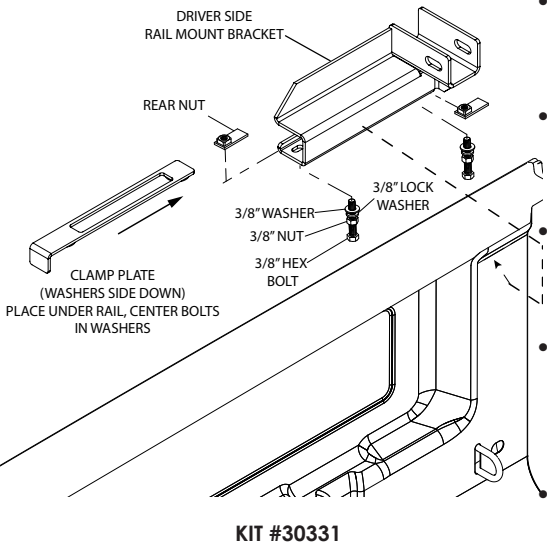
FOR MORE INFORMATION SCAN HERE!



BACKRACK™

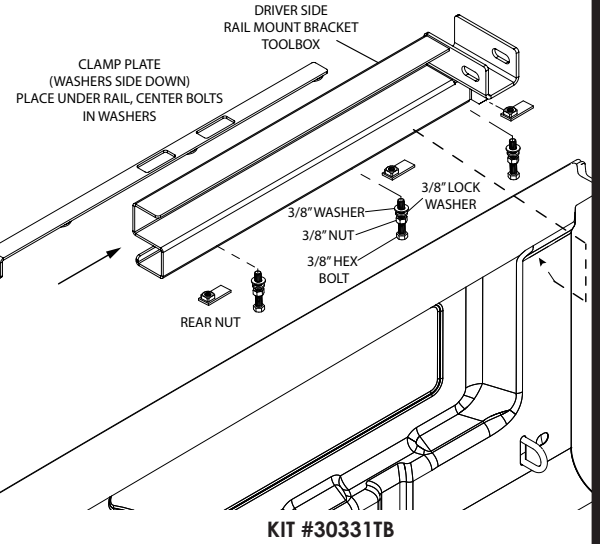
FUNCTION AND STYLE FOR TODAY'S TRUCKS

1



KIT #30331

- Install rail mount brackets.
 - Place front and (middle for TB) rear nut into position under bed rail.
 - Loosely thread in front and rear bolt (3/8") with washers and jam nut.
 - Position adapter bracket forward and against inside rail.
 - Install clamp plate between bolt ends and underside of truck bed rail (30331 only)
- Finger tighten 3/8" bolts.



KIT #30331TB

2

Fasten Backrack to the Rail mount bracket, or Toolbox bracket. Finger tighten at this stage. Center rack on truck and fully tighten both carriage bolts, and 3/8" rail mount bolts. Tighten 3/8" nut to secure.

****IMPORTANT****

Install the carriage bolt as shown in the diagram with the round head closest to the cab. Failure to do so could result in damage to the cab or rear window.

