

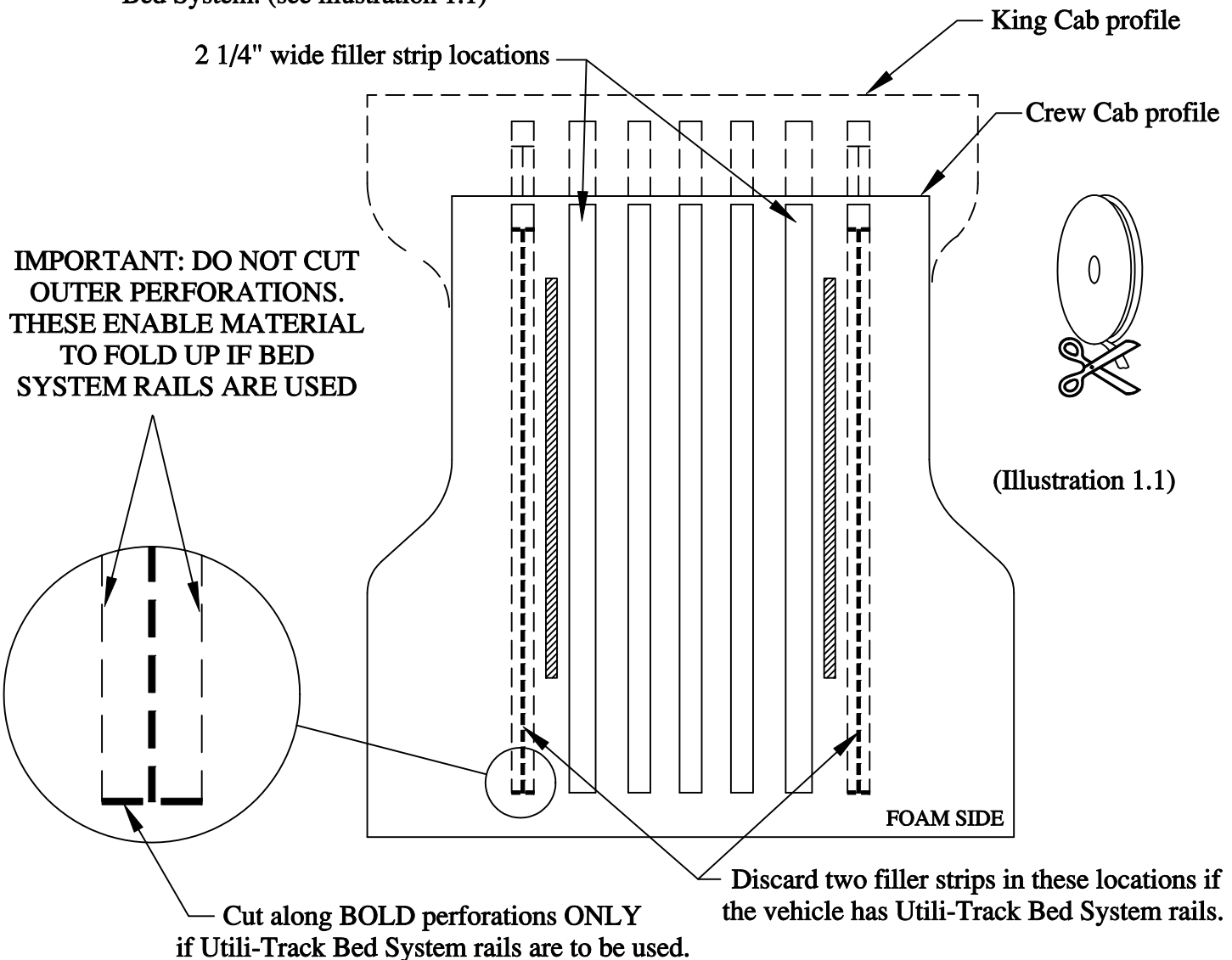
**NISSAN FRONTIER PICKUP**  
**BEDRUG® BEDLINER INSTALLATION INSTRUCTIONS**

**U.S. PATENT # 5007670,5806909 MADE IN U.S.A.**

**WARNING: IMPROPER INSTALLATION WILL RESULT IN LINER  
FLYING OUT OF THE TRUCK! FOLLOW INSTRUCTIONS EXACTLY!**

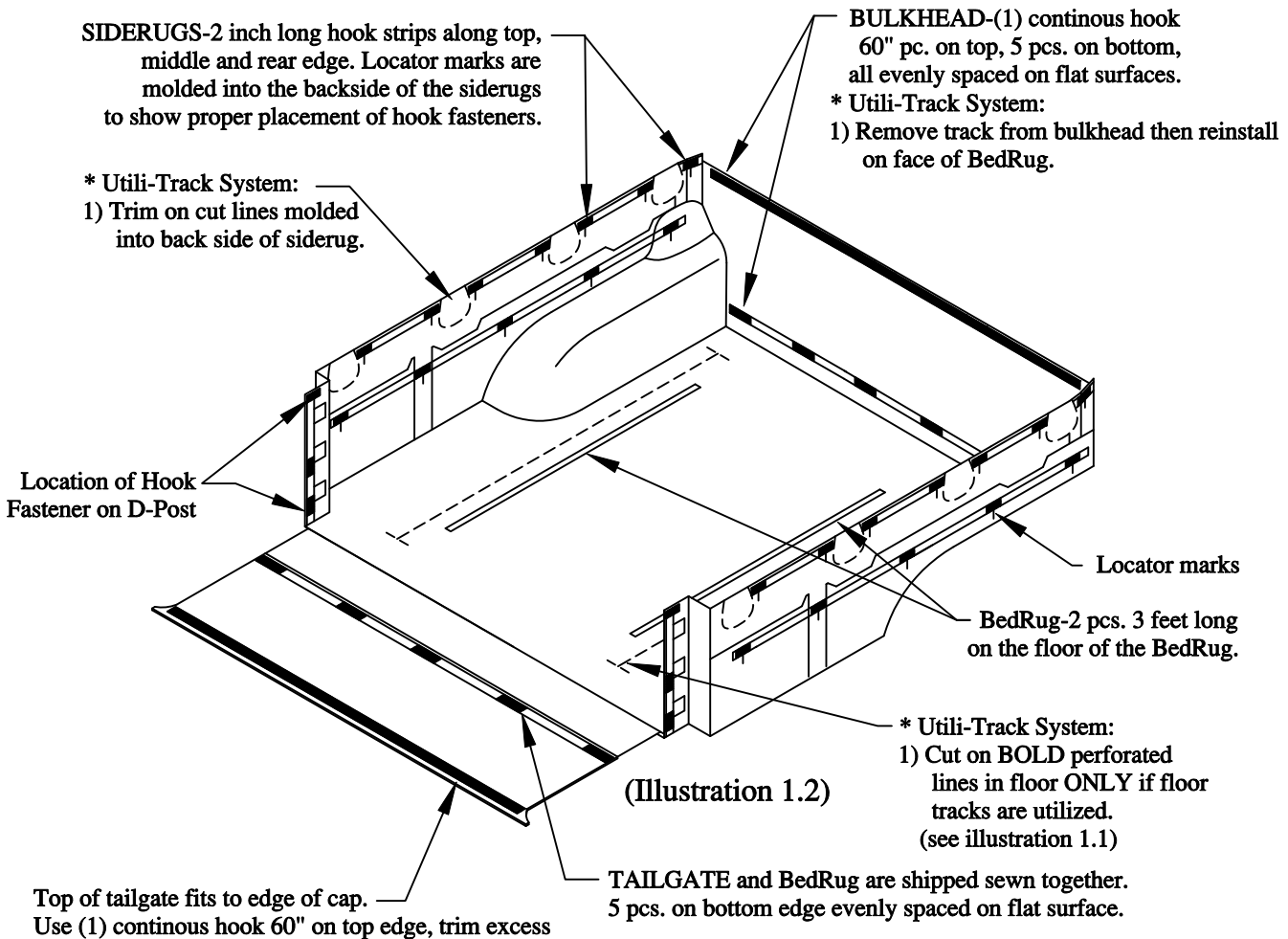
APPROXIMATE INITIAL INSTALLATION TIME LESS THAN 1 HOUR

1. Read all instructions before installing.
2. NOTE: TRUCK BED SURFACE TEMPERATURE SHOULD BE 68° F OR HIGHER IN ORDER FOR THE HOOK FASTENERS TO ACHIEVE MAXIMUM ADHESION. ALSO, NEVER CONTAMINATE THE ADHESIVE BY TOUCHING IT WITH YOUR FINGERS.
3. Remove BedRug floor, siderugs, filler strips and installation kit from box.
4. Attach five (5), 1 7/8" wide and two (2), 2 1/4" wide rib filler strips to locations on foam side of BedRug floor with double sided tape included with kit. Filler strip locations are scored into backside of part. Discard two (2), 1 7/8" strips if the truck is equipped with the Utili-Track Bed System. (see illustration 1.1)



5. Zip BedRug floor and siderugs together to form the one-piece soft bed liner.
6. A continuous loop fastener is sewn around the liner. The bulkhead and tailgate have two continuous strips of loop fastener sewn along the top and bottom. The very aggressive hook fasteners have a self-adhesive backing to stick to the bed of the truck.
7. Attach hook fasteners to the loop per illustration 1.2. For siderugs, be sure to place the 2" long hook fasteners at the locator marks which are molded into the foam

# HOOK FASTENER LOCATIONS / UTILI-TRACK INSTRUCTIONS



Refer to (Illustration 1.2) for completing steps 8-14

8. Lay the BedRug soft bedliner in the bed of the truck to determine the exact location and fit. **IMPORTANT:** Never cut or put slits through any seams or sewn areas of the BedRug. This will cause the seam to come completely apart.
9. Roll one side of the BedRug floor up exposing the area where the 3' strip of hook fastener is to be adhered.
10. Using a clean lint-free cloth, clean this area thoroughly using NON-PETROLEUM based solvent. Then with a separate cloth, clean the same area again with alcohol. If the cloths become visually soiled, replace them with clean ones.
11. Lay the BedRug down, then **FIRMLY** rub the fastener(s) down **VERY AGGRESSIVELY** to assure full engagement of the fastener(s) and the adhesive.
12. Repeat steps 10 and 11 for the opposite side of the BedRug floor.
13. Repeat steps 10 and 11 on the bulkhead.
14. Repeat steps 10 and 11 on the siderugs.
15. Repeat steps 10 and 11 on the tailgate.

# BEDRUG<sup>®</sup> CLEANING INFORMATION

The mildew resistant BedRug foam will not absorb liquids. The engineered polypropylene fiber top surface resists stains and deterioration from most acids, chemicals, gas and oils, etc. Therefore, by following the cleaning instructions below, your BedRug will remain serviceable for as long as you own your truck.

## **Cleaning your BedRug is easy:**

1. A vacuum, broom, brush or compressed air can be used to remove dirt, grime, sand, mulch etc. Due to the fact that water will not harm the BedRug, pressure washing is also an effective way to clean a soiled BedRug.
2. Although most acids will not harm the BedRug, baking soda should be applied immediately to neutralize the acid to ensure the safety of the paint on the truck.
3. To clean tougher jobs such as gasoline, oil, chemicals, acid spills or leaks from your BedRug use detergent soap with degreaser and water, then rinse thoroughly. This detergent soap is used in most car wash locations with pressure washing equipment. The BedRug polypropylene closed-cell foam will not absorb water and the polypropylene fiber dries in minutes.

If you have additional questions, call BedRug, Inc. customer service at 800-462-8435.

**Retain this cleaning information with your vehicle owner's manual for future reference.**

## **BedRug, Inc.**

### **LIMITED WARRANTY**

BedRug, Inc. warrants BedRug, BedTred, VanRug, and VanTred, for pickup trucks and vans to be free from defects in materials and workmanship. BedRug Bedliners will be warranted for the duration of the vehicle ownership by the original BedRug purchaser. The terms of this warranty may vary from state to state. You may have rights under specific state laws that differ from the terms of this warranty. Proof of purchase will be required for warranty service. Customer modifications and/or improper return packaging of the product may void this warranty. Product should be cleaned before return. For warranty instructions, returns and packaging contact BedRug, Inc. Customer Service at 800-462-8435. Labor and shipping are not covered under the terms of this agreement.

**Retain this warranty information with your vehicle owner's manual for future reference.**

**FOR WARRANTY SERVICE CALL 800-462-8435**