

Any damaged or missing parts?

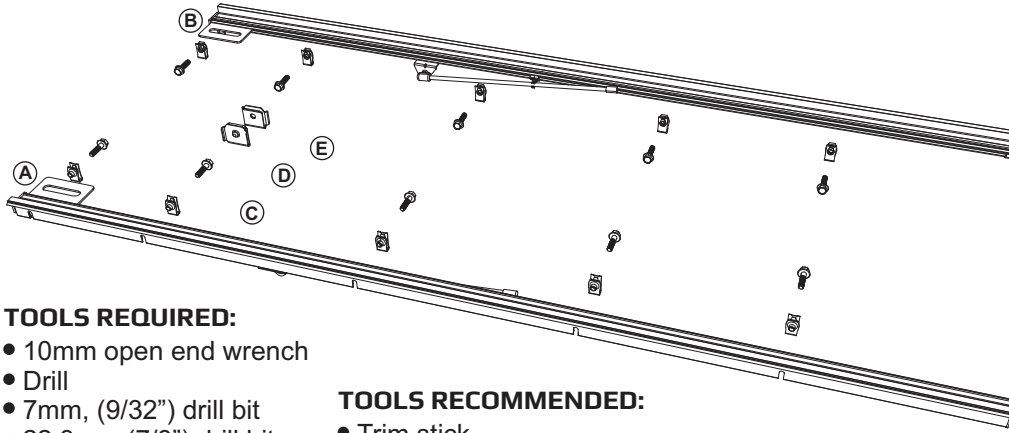
Parts will be shipped to you directly.

Call 818-365-9000 Mon-Fri 8:30am-7pm EST

or email support@bakindustries.com

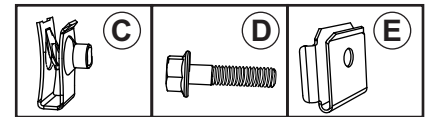


IMPORTANT: READ FIRST



PARTS INCLUDED IN THIS SUPPLEMENTAL KIT

- A** 1x Driver side cover rail
- B** 1x Passenger side cover rail
- C** 10x U-nut
- D** 10x M6 bolt
- E** 2x Bed cap hole guide



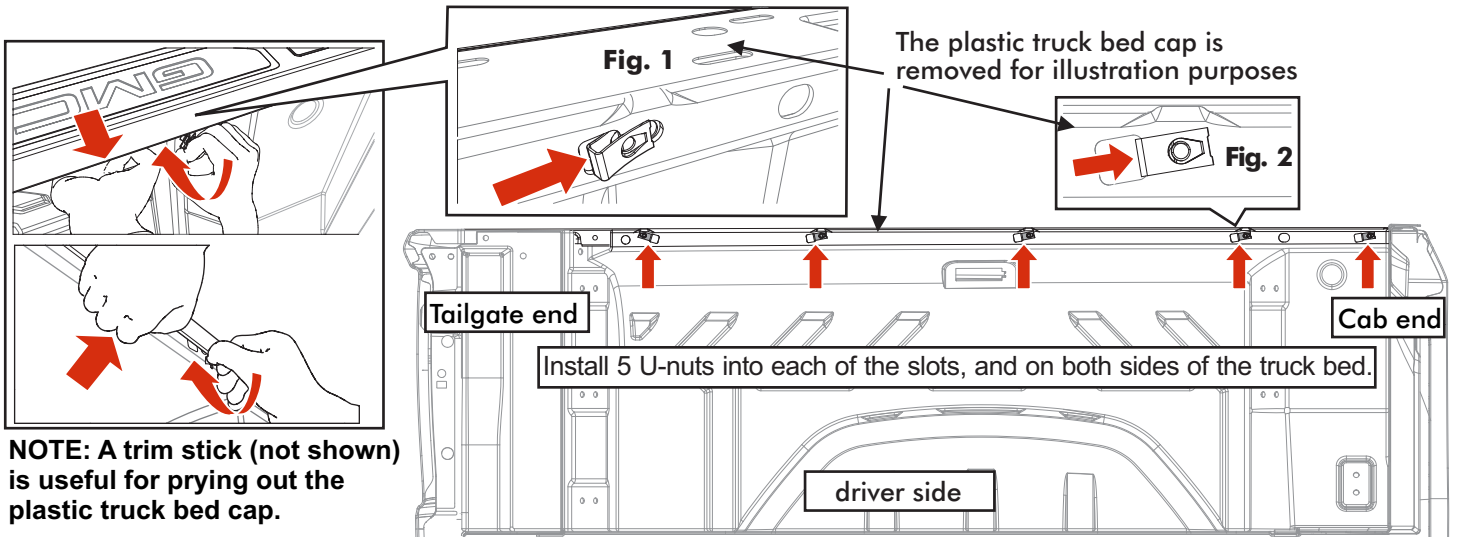
TOOLS REQUIRED:

- 10mm open end wrench
- Drill
- 7mm, (9/32") drill bit
- 22.3mm (7/8") drill bit
- Knife or cutting tool

TOOLS RECOMMENDED:

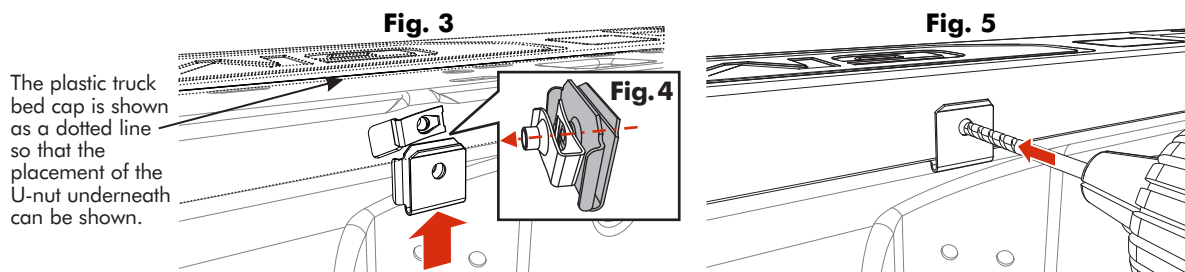
- Trim stick

1 U-nut installation
 Insert the U-nuts (C) by prying the plastic truck bed cap away from the truck bed. The U-nuts fit underneath the plastic truck bed cap and onto the carbon side (fig. 1). Make sure that the U-nut is aligned with the bed rail hole as shown in fig. 2. Repeat for the passenger side.



NOTE: A trim stick (not shown) is useful for prying out the plastic truck bed cap.

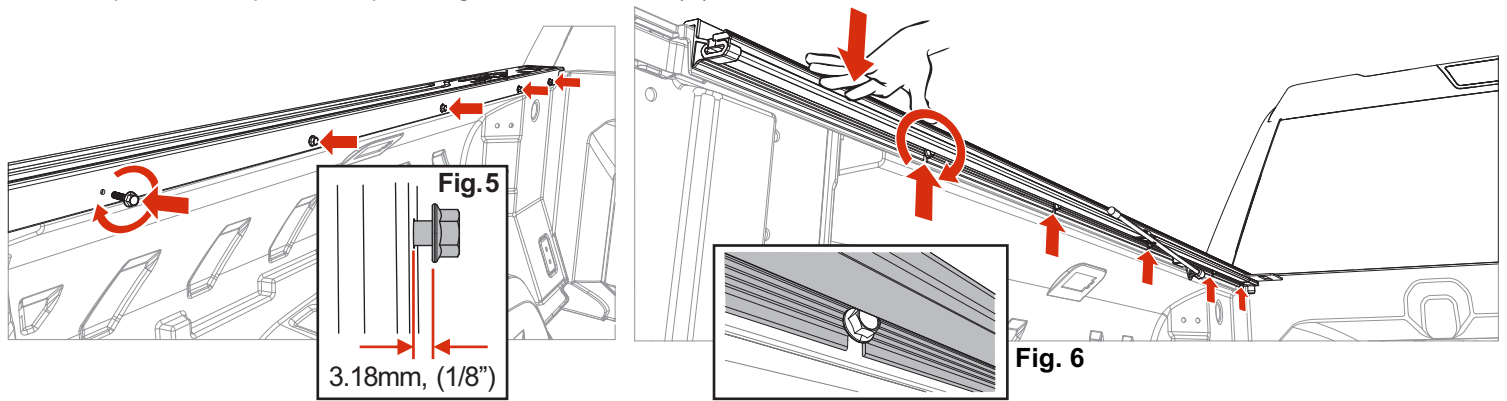
2 Drill mounting holes
 Slide the bed cap hole guide (E) onto the edge of the plastic truck bed cap and in between the cap and the bed (fig. 3). Align the guide so that its back fits into the hole of the U-nut (fig. 4). Drill a 7mm, (9/32") hole through the plastic truck bed cap using the bed cap hole guide (fig. 5). The back of the guide will prevent the drill from hitting the truck bed. Repeat this for every U-nut location on both sides of the truck bed.



SUPPLEMENTAL INSTALL SHEET

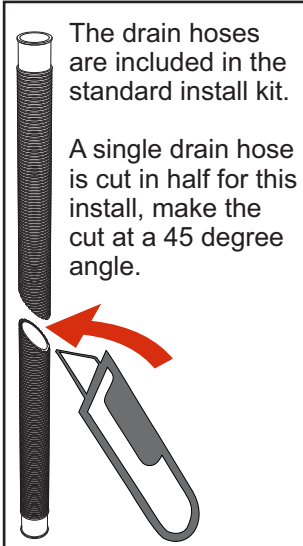
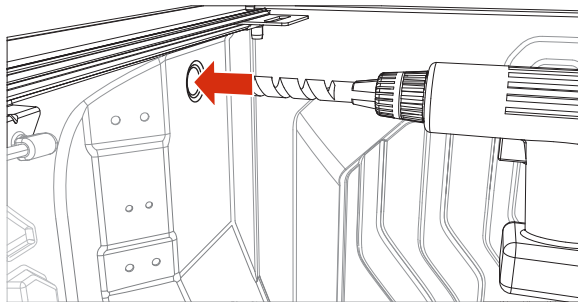
Rail Install for CarbonPro Bed

- 3 Rail installation**
Thread the M6 bolts (D) through the drilled holes and into the U-nuts until they are spaced approximately 3.175mm (1/8") from the bed cap (fig. 5). Place the driver side cover rail (A) by aligning the slots onto each of the bolts (fig. 6). Push down on the cover rail to help the seals set to the truck bed cap and tighten the bolts with the 10mm open end wrench. Repeat the steps for the passenger side cover rail (B).

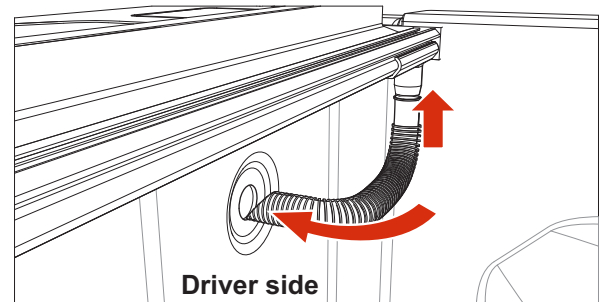


- 4 Drill drain hole & Install drain tube**
Drill a 22.3mm, (7/8") hole through the truck bed liner at the center of the existing circular divot as shown. Drill the hole on both the driver and passenger side.

Be careful to only drill through the outer liner.



Insert the cut end of one half of the drain hose into the drilled hole in the bed. Push the hose into the hole with the diagonal cut as shown for the driver side. Slide the collared end of the hose onto the cover rail drain. Install the other half of the hose on the passenger side in the same manner.



Return to the standard install instructions at step 8.
Also note that step 4 above will substitute for step 17 in the standard install instructions.