

2015 – 2022 Ford F-150 SuperCrew and 2017 – 2022 Ford F-250 to F-550 Super Duty SuperCrew Underseat Storage

Installation Instructions:

Fits DU-HA Part Numbers
20110
20111
20112
20113
20116

F-150 SuperCrew

- 1 Flip up the seat bottoms of the back seats.
- 2 Using an 8mm socket remove the top two bolts from the drivers side factory storage divider and the top outside bolt on the passengers side (as shown by arrows in picture 1). **Note:** Some models do not have the factory divider or bolts on drivers and or passengers side. Refer to following page on how to create threads so you can use the knobs for installation. **Note:** Some F-250 to F-550 models have a factory storage tray on the floor. This will need to be removed to install the DU-HA, follow the instructions on next page for removal. Some trucks have a vinyl floor which makes the DU-HA sit lower see following page for further instructions.
- 3 Position the DU-HA (A) under the back seat with the cut out slots in the DU-HA facing towards the truck bed.
- 4 Secure the DU-HA (A) in the truck using the knobs (D), insert the knob through the slot in the back of the DU-HA and thread into the holes from the previously removed bolts. If passengers side does not have the factory divider use the plastic spacer (H) to space the DU-HA away from the seat bracket.
- 5 Install the (B) Foam Organizer / Gun Rack and (C) Plastic Stiffeners by sliding them into the channel slots inside the DU-HA, making sure the high side faces towards the front (as pictured).

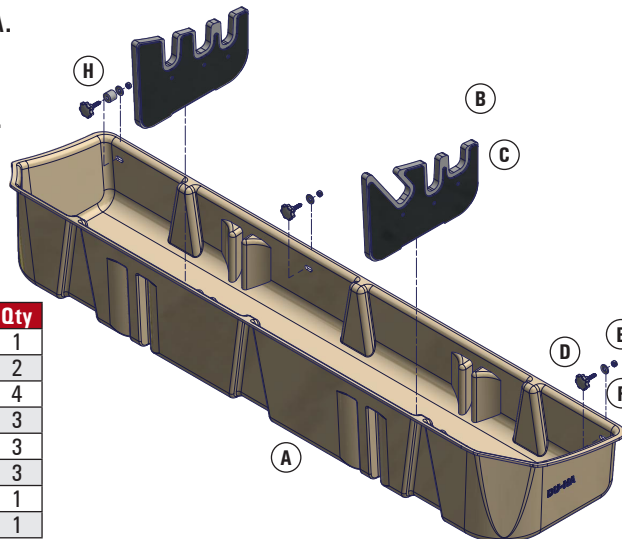
Pull the lever under (or on the side) of each back seat to return the seat bottoms to the down position.

Please note: When the seat is down, it does not latch. The seat is designed to latch only when it is up. (To test this, you may put the seat down without the DU-HA underneath. Note that it does not latch down.)

Safety Instructions:

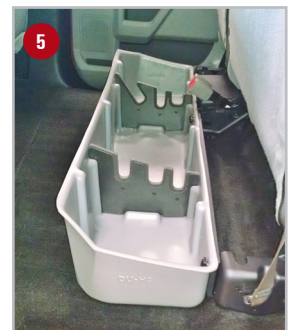
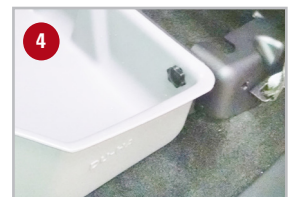
Warning: Seat bottoms must be down at all times while vehicle is moving.
Make sure the DU-HA is secured in the vehicle according to installation instructions.
Do not store explosives or hazardous materials in the DU-HA.
Do not place loaded guns in the DU-HA.

For further instructions refer to truck owners manual or contact DU-HA, Inc.



Part	Part Number	Description	Qty
A	--	DU-HA Storage Unit	1
B	Divider-20110	Foam Organizer / Gun Rack	2
C	Divider-20110	Plastic Stiffener	4
D	1001043	Knob M6 x 30mm	3
E	1001201	Nut – M6	3
F	1001155	Washer – M6	3
G	1001102	Bolt M6 - Taptite	1
H	1001215	Plastic Spacer	1

Factory Divider



This is how the DU-HA should look installed under the back seat.

2015 – 2022 Ford F-150 SuperCrew *and* 2017 – 2022 Ford F-250 to F-550 Super Duty SuperCrew *Underseat Storage*

Fits DU-HA Part Numbers

20110
20111
20112
20113
20116

Installation Instructions: (Create Threads)

- 6 If your truck did not come with the factory divider as shown in picture 6 follow these steps to create the threads in the top holes of the factory seat brackets so you can use the supplied knobs to install your DU-HA.
- 7 Using a 10mm socket and a drill or impact driver take the supplied M6-1.0 metric bolt (G) and drive it in and out of the top holes in the factory seat brackets. The bolt is a self-threading bolt that will create the threads needed so you can use the knobs to secure your DU-HA in your truck. Once you have created the threads make sure the knob will thread in and out of the holes. If it seems tight you can run the bolt in and out of the holes again. Be careful not to cross thread if you do run the bolt in and out again, start bolt by hand. Once you have verified the knobs thread properly return to the previous page to step 3 to continue the installation of your DU-HA.



F-250 to F-550 SuperCrew

- 8 Some models of F-250 to F-550 trucks come with a factory storage tray installed on the floor under the rear seat. In order to install a DU-HA if you have this tray you must remove it. To remove flip up the tray so it is in the open position, remove the rubber mat on the bottom of the tray and the 4 round plastic bolt covers that are in the bottom using a straight edge screw driver. Next use a 13 mm socket and remove the 4 nuts with washers holding the tray to the floor. Next remove the large nut holding the jack tools to the floor of the truck and remove the jack tools from the tray. Remove the tray from the truck. It may take a little pulling to get the tray loose from the bolts. Once the tray is removed set the jack tools back in position and secure down with the large nut. Return to previous page to step 3 to install DU-HA. **Note:** DU-HA will sit on bolt posts.



- 9 Some models of trucks have a vinyl floor and do not have the factory divider. To install the DU-HA in this type of truck set the DU-HA under the rear seat and position it so the slots are facing the back of the truck and line up with the larger middle hole and slot in the seat brackets. Next use the provided M6 knobs, M6 washers and M6 nuts to secure the DU-HA to the seat brackets.

