

## ⚠️ IMPORTANT

### READ BEFORE YOU BEGIN INSTALLATION

**IT IS CRITICAL FOR YOUR SAFETY THAT YOU CAREFULLY READ AND FOLLOW THE SAFETY CAUTIONS AND INSTALLATION INSTRUCTIONS BOTH PRIOR TO AND DURING INSTALLATION.**

#### USER SAFETY CAUTION

During installation, be mindful of the potential for sharp edges on the product or vehicle. Taking proper safety precautions helps ensure a safe and smooth installation process.



**Always wear protective gloves and handle components with care to reduce the risk of injury.**

#### TEMPERATURE SURFACE CAUTION

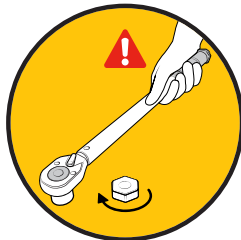
During high temperatures or extended sun exposure, surfaces of this product may become hot to the touch, posing a risk of burns or injury. Use caution when handling the product in hot weather and allow time for it to cool before contact.



**Always check surface temperature before use to ensure safe handling conditions.**

#### FASTENER TORQUE CAUTION

All fasteners must be tightened to the specified torque values provided in the installation instructions to ensure proper fit and safe operation of the tonneau cover. Under- or over-tightening can lead to product failure, potential damage to your vehicle, injury, or safety hazards while driving.



**Always use a calibrated torque wrench and follow the specifications in the installation instructions.**

#### PINCH POINT SAFETY CAUTION

This tonneau cover may create pinch points when closing or operating near solid surfaces such as the truck bed rails or tailgate. To prevent injury, keep hands, fingers, and other body parts clear of moving parts during operation.



**Always operate the cover slowly and with caution to ensure safe and proper use.**

## ⚠️ IMPORTANT

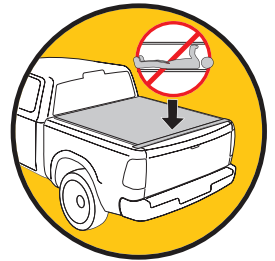
### READ BEFORE YOU BEGIN INSTALLATION

IT IS CRITICAL FOR YOUR SAFETY THAT YOU CAREFULLY READ AND FOLLOW THE SAFETY CAUTIONS AND INSTALLATION INSTRUCTIONS BOTH PRIOR TO AND DURING INSTALLATION.

#### ENTRAPMENT SAFETY WARNING

This tonneau cover does not feature a manual release mechanism from inside the truck bed. To prevent the risk of entrapment, never allow anyone to be inside the bed of the truck when the cover is closed.

**Always ensure the area is clear before closing the cover, and keep the cover securely latched when not in use to avoid accidental closure.**



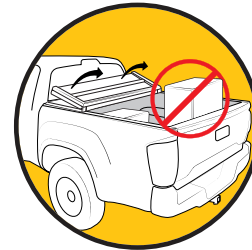
#### CARGO TRANSPORT WARNING

Do not attempt to close the tonneau cover over cargo that is taller than the depth of the truck bed.

Never force the cover to close improperly.

**Forcing the cover can:**

- Prevent the cover from lying flat and latching securely.
- Damage the cover's hinge and cause the cover to kink.
- Damage the rear tail panel and cause it to become detached.

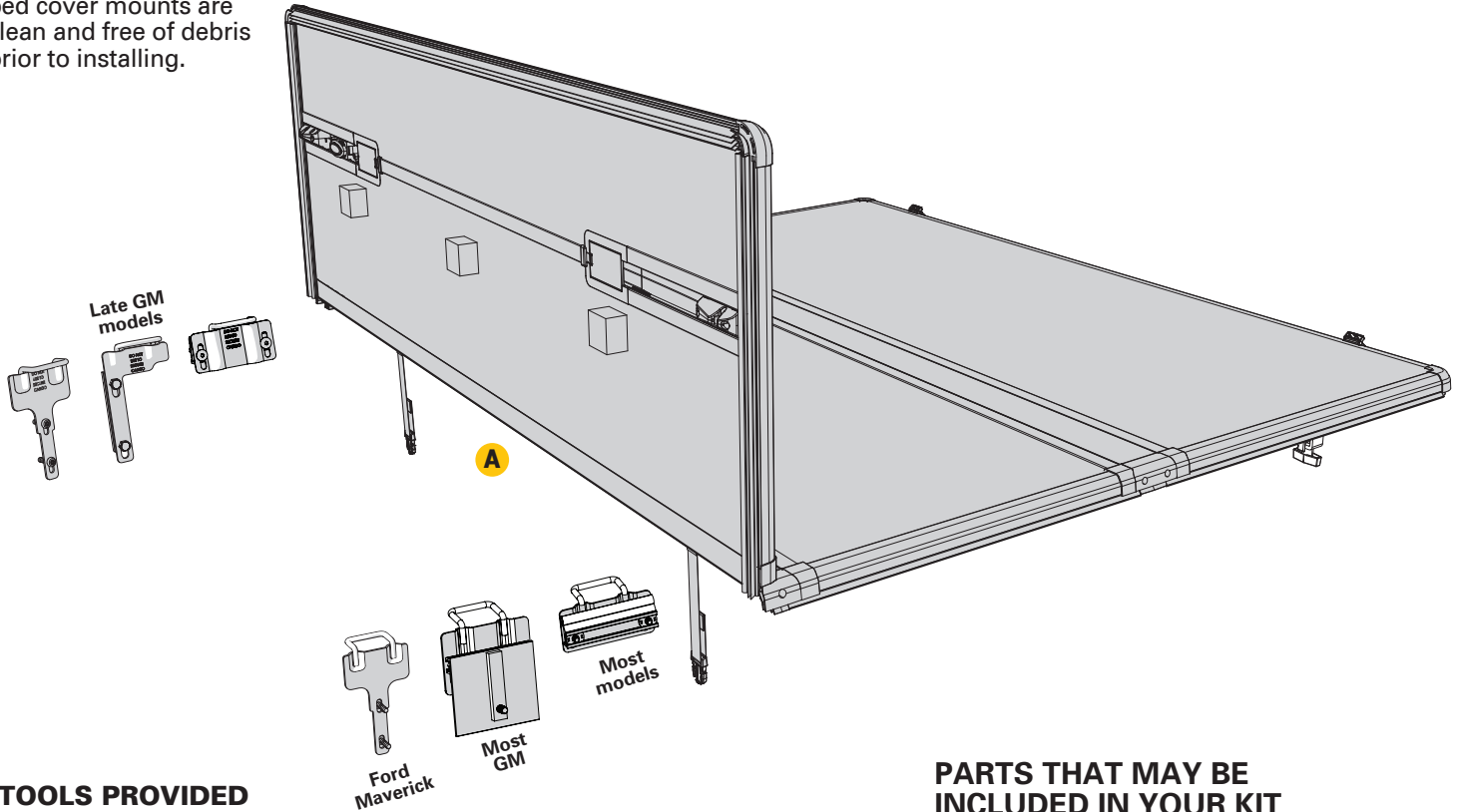


Any damaged or missing parts?

Parts will be shipped to you directly.

Call 800-877-2588, Mon - Fri, 8:30 a.m. - 6:00 p.m. EST

**NOTE:** It is important that all areas where the bed cover mounts are clean and free of debris prior to installing.



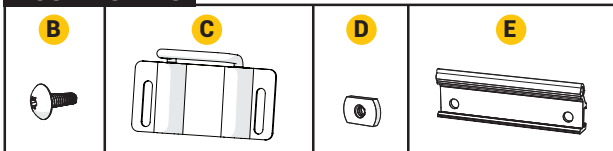
### TOOLS PROVIDED

- Torx wrench - T-20
- Torx wrench - T-27
- Hex wrench - 2.5MM

### TOOLS REQUIRED

- Tape measure
- Pliers
- Knife or cutting tool
- Torx wrench - T-30 (*Maverick only*)
- Socket or wrench - 13mm (*GM*)

#### MOST MODELS

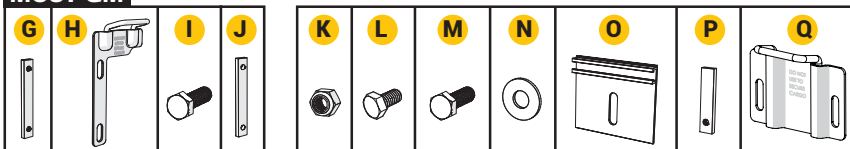


Components B-E come pre-assembled

#### FORD MAVERICK



#### MOST GM



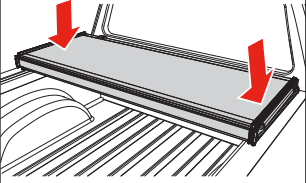
Components J-P come pre-assembled

### PARTS THAT MAY BE INCLUDED IN YOUR KIT

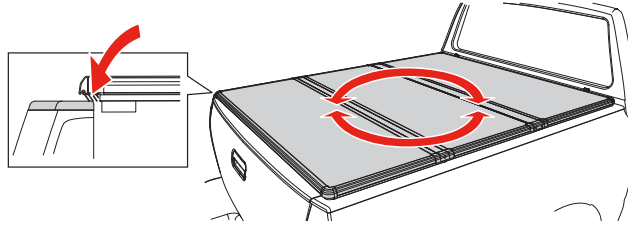
- A** Cover assembly
- B** 4x T-27 Torx screws
- C** 2x Striker brackets (*Most models*)
- D** 4x Weld nuts
- E** 2x Backing plates
- F** 2x Striker brackets (*Maverick only*)
- G** 1x Tap plate, 2 holes
- H** 1x Rear striker bracket (*2019+ GM, drivers side only*)
- I** 2x Bolts - M8 x 25mm
- J** 1x Spacer plate
- K** 2x Nuts - M8 x 1.25
- L** 2x Bolts - M8 x 16mm
- M** 2x Bolts - M8 x 25mm
- N** 2-4x Flat washers (*based on model year*)
- O** 1-2x Backing plates (*based on model year*)
- P** 1-2x Tap plates, 1 hole (*based on model year*)
- Q** 1-2x Striker brackets (*based on model year*)



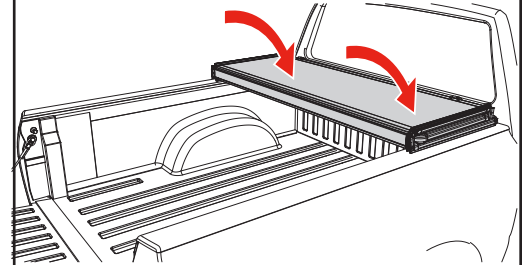
**1** Place the folded, assembled bed cover (A) over the cab end of the truck box.



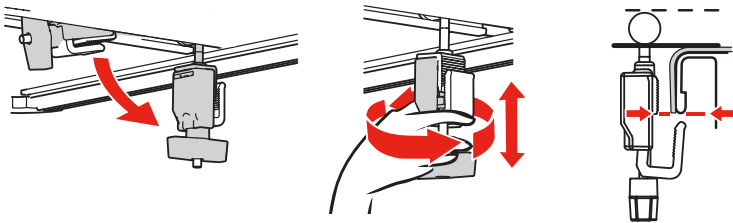
**2** Unfold the bed cover (A) fully and adjust position over the truck bed for proper front (cab) and rear (tailgate) alignment. When positioned front and back, the tailgate seal should contact the tailgate with the first two fins.



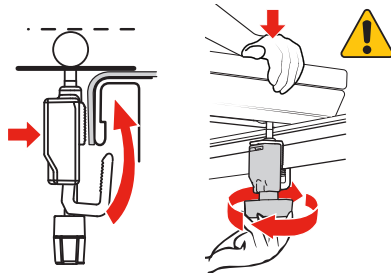
**3** Carefully re-fold the bed cover (A) without shifting its position on the truck bed.



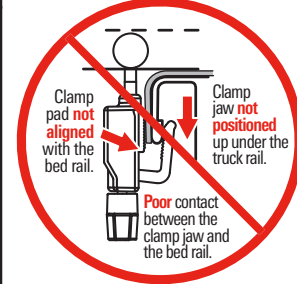
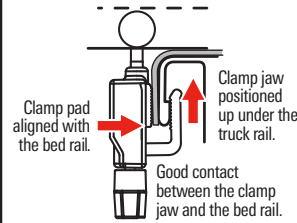
**4** Slide the cab clamps over to the truck bed rail. Align the clamp by rotating until the clamp pad is aligned as shown.



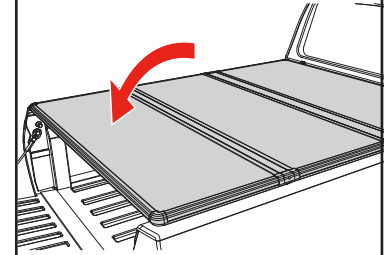
Push the clamp to the truck bed rail, rotate the jaw up under the rail and hold down on the cover so the seal is tight to the bed. Tighten the clamp securely so that the cover does not slide/shift or lift from the truck bed.



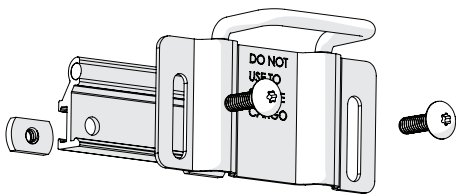
**IMPORTANT**



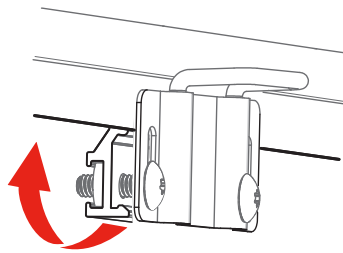
**5** With the tailgate open and the front (cab) clamps secure, completely close the bed cover (A).



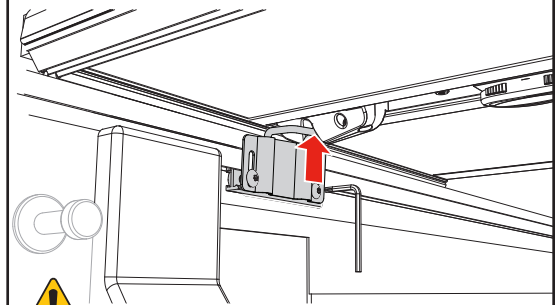
**6** • Most models



The brackets are assemblies comprised of the striker bracket (C), T-27 Torx screws (B), a backing plate (E) and a weld nut (D).



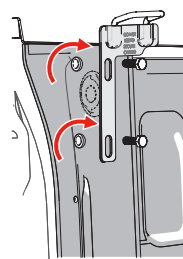
With the truck bed cover (A) closed, attach the striker brackets (C) to the metal truck bed rail.



Align the striker brackets (C) so that the bracket loop aligns with and firmly latches into the cover latch assembly (see step 8 for latch assembly adjustment). Attach to both driver and passenger sides. Using the provided T-27 Torx wrench, tighten the screws firmly. The bracket should not be able to move/shift. Final latch adjustment comes later in step 8.

**6A** • Chevy/GMC Silverado/Sierra 1500 (5ft 8in, 6ft 6in) 2019+, "New Body Style" - **DRIVER SIDE ONLY**

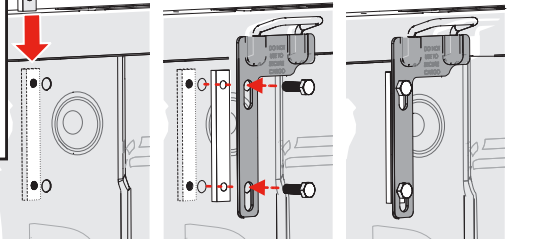
If a drop-in bedliner is installed, clearance holes will need to be added to the bedliner to accept the striker bracket fasteners.



**NOTE:**  
A pair of pliers can help hold the tap plate when installing.

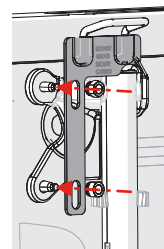
Trucks **WITHOUT** the MultiPro/Multi-Flex tailgate and assist handle

Insert the tap plate (G) down through the stake hole pocket opening and align with the two open holes on the inside of the bed while installing the spacer plate (J) and striker bracket (H) over top and fasten them loosely using two M8 x 25mm bolts (I).



Trucks **WITH** the MultiPro/Multi-Flex tailgate and assist handle

Utilize the assist handle mounting studs and the original nuts to mount the striker bracket (H). Fasten loosely until final adjustment in Step 8.



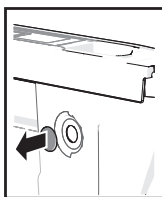
In both cases, the bolts or nuts will be tightened after the final bracket adjustment in step 8.



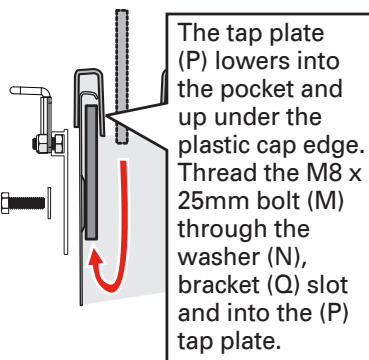
**6B** • Chevy/GMC Canyon/Colorado (5ft & 6ft beds) 2015-22 - **DRIVER & PASSENGER SIDES**  
 • Chevy/GMC Silverado/Sierra 1500 (5ft 8in, 6ft 6in) 2014-18 - **DRIVER & PASSENGER SIDES**  
 • Chevy/GMC Silverado/Sierra 2500/3500HD 2015-18 - **DRIVER & PASSENGER SIDES**  
 • Silverado 1500 Legacy & Sierra 1500 Limited 2019 - **DRIVER & PASSENGER SIDES**  
 • Chevy/GMC Silverado/Sierra 1500 (5ft 8in, 6ft 6in) 2019+, "New Body Style" - **PASSENGER SIDE ONLY**

Insert the tap plate (P) down through the stake pocket opening and align with the flat washer (N) and M8 x 25mm bolt (M) through the bed wall hole while installing the striker bracket (Q).

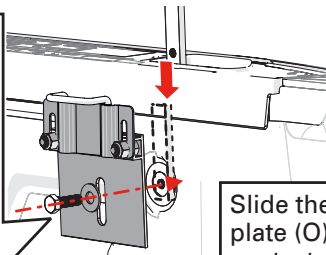
**NOTE:** The bed wall hole plug will have to be removed.



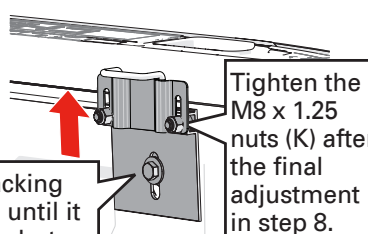
**NOTE:**  
A pair of pliers can help hold the tap plate when installing.



The tap plate (P) lowers into the pocket and up under the plastic cap edge. Thread the M8 x 25mm bolt (M) through the washer (N), bracket (Q) slot and into the (P) tap plate.

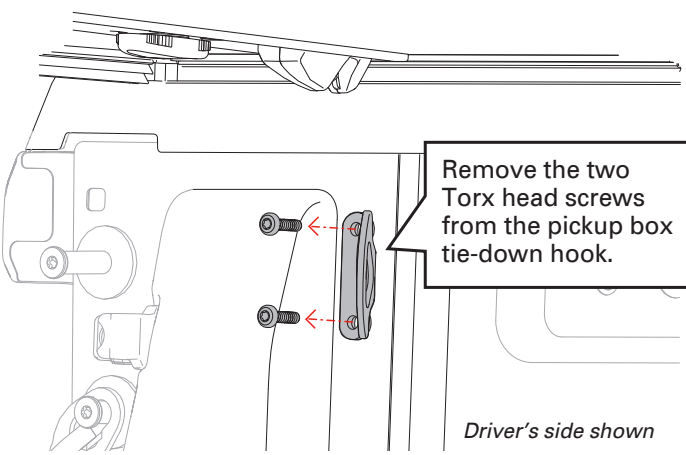


Slide the backing plate (O) up until it contacts the bottom of the bed cap. Tighten the M8 x 25mm bolt (M).



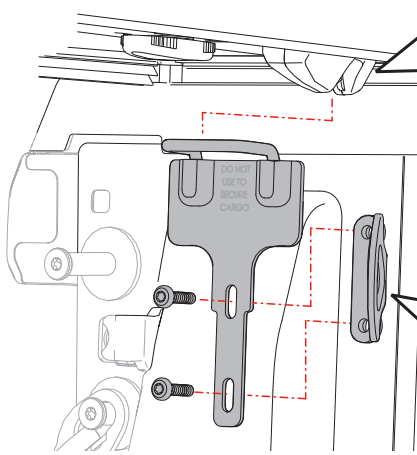
Tighten the M8 x 1.25 nuts (K) after the final adjustment in step 8.

**6c** • Ford Maverick - **DRIVER & PASSENGER SIDES**



Remove the two Torx head screws from the pickup box tie-down hook.

Driver's side shown

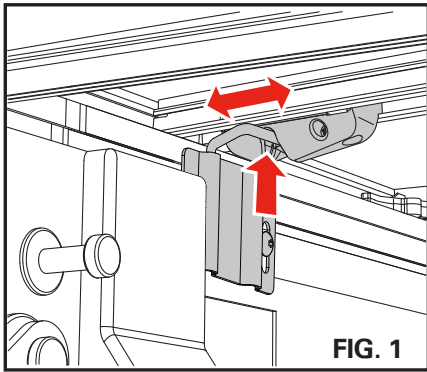


Align the striker brackets (F) so that the bracket loop aligns with, and firmly latches into cover latch assembly. (See step 7 for latch assembly adjustment). Attach both sides.

Reinstall the two Torx head screws through the two slots in the striker bracket (F), then into the tie-down hook. Repeat for both sides.

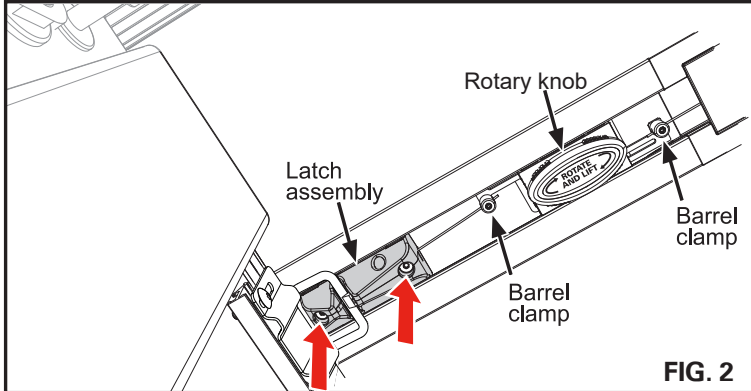
**7** Adjustments and tightening of the latch assemblies are required.

The bed cover latch assemblies and rotary knob come from the factory only partially tightened to allow installation adjustments. Both latches and rotary knob will require adjustment and final tightening. **Only use the hand tools provided, do not use power tools.**



Lower the rear of the bed cover and loosen the screws on both latch assemblies and the rotary knob. Rotate the knob to locate the screws. Adjust the position of each latch so that they engage with the striker brackets, (Fig. 1). With the latches adjusted, from underneath the cover, use the provided T-20 Torx wrench to tighten the two screws, (Fig. 2) so the latch does not move in the channel. Repeat on the other side.

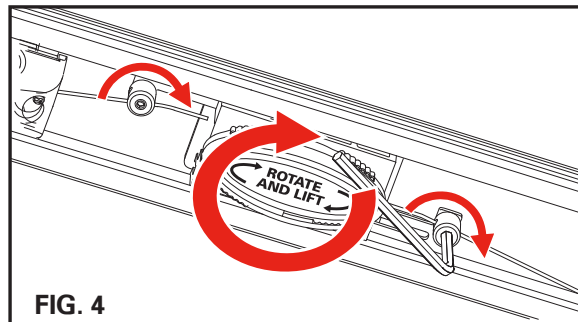
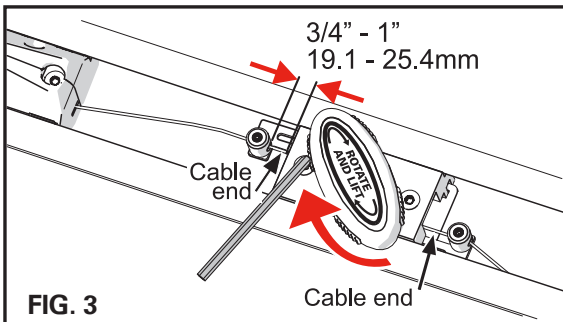
The cables come routed through the barrel clamps of the rotary knob. Adjust the position of the rotary knob so that the cable from the driver side latch can be inserted through the barrel clamp leaving 3/4" - 1" of cable extending through the barrel clamp without turning the knob, for future adjustments (Fig. 3).



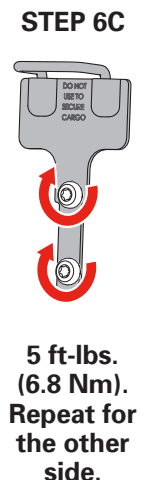
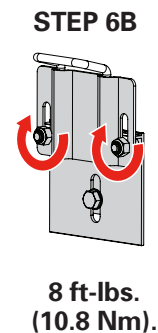
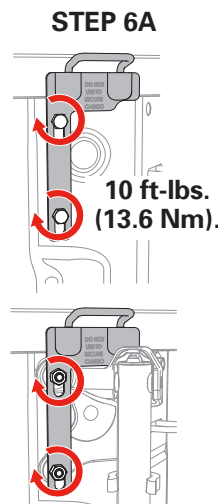
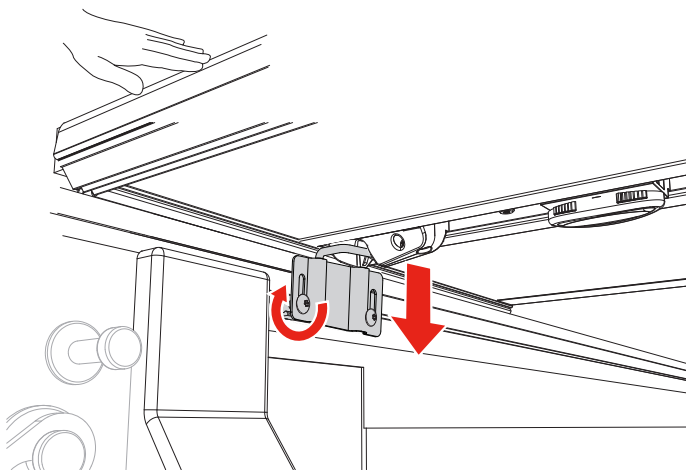
Rotate the rotary knob until you see the flat head screws. Tighten the two screws using the provided Torx T-20 wrench, (Fig. 3) so the knob does not move in the channel. Repeat on the other side.

Next, tighten the barrel clamp set screws, (Fig. 4) with the provided 2.5mm hex key to secure the latch cables. Rotate the rotary knob, (Fig. 4) to verify that the latches disengage from the striker brackets.

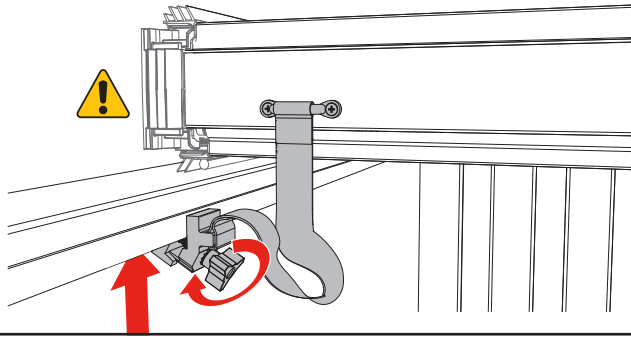
Close the cover, then double-check that it is secure and tight to the truck bed by gently lifting the corners to ensure the mechanisms are engaged.



**8** To make the final adjustment, loosen the striker bracket bolts or screws. Then move the bracket (C, F, H, or Q) down by firmly pushing the cover (A) to the truck rail and tailgate. Make sure that both sides match, then retighten all the screws while maintaining the pressure on the cover.

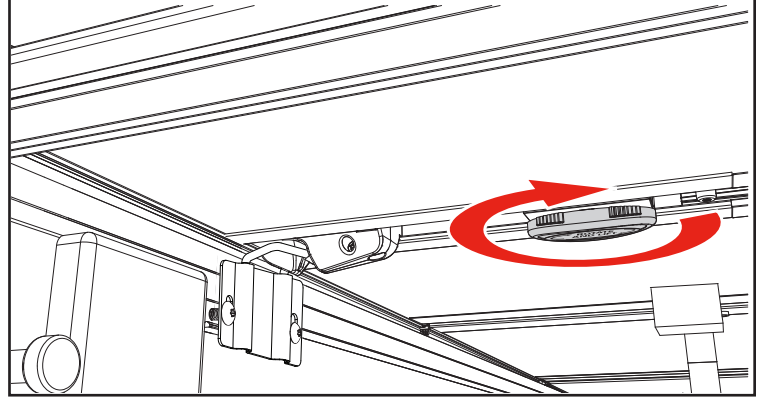


**9** The tethers come installed on the bed cover hinge with a clamp at the other end. Install the clamp end by sliding the clamp onto the truck rail. Make sure the clamp is positioned as far up onto the rail as possible. Firmly hand tighten the knobs. Install the tethers on both sides of the cover.



**Opening the cover**

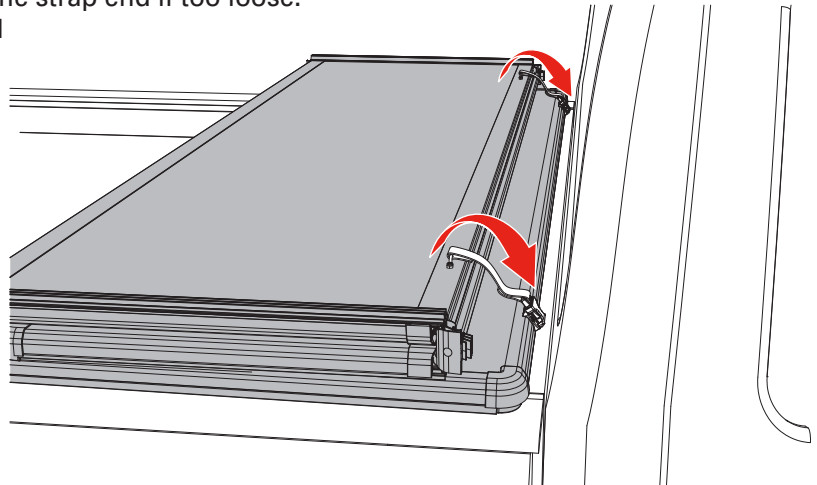
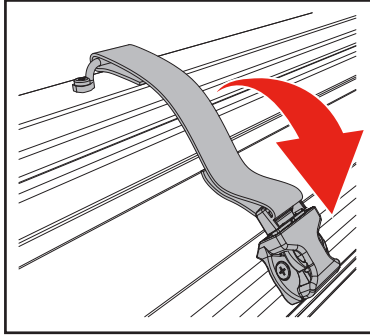
Open the cover by twisting the rotary knob and lifting the cover.



**Securing the cover**

To drive with the cover open, fold the cover forward to the cab and fasten BOTH straps in the middle section to the front rail. Check that the straps are tight, and pull the strap end if too loose.

**!** FAILURE TO DO SO COULD RESULT IN DAMAGE TO THE COVER AND TRUCK.



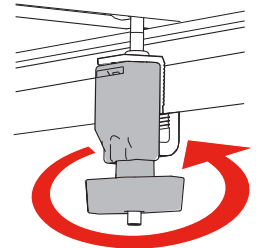
**! IMPORTANT**

Re-tighten the front/cab clamps and tethers after the first week of driving the vehicle. Also periodically check the clamps and tethers to ensure they are secure.

**Closed/Extended Position** – Bed cover must be completely secured by all four (4) clamps.

**Open/Folded Position** – Bed cover must be completely folded up (all panels) and secured at the cab with the provided buckles straps and with both tethers attached.

**Do NOT** drive with the bed cover in a partially open position.



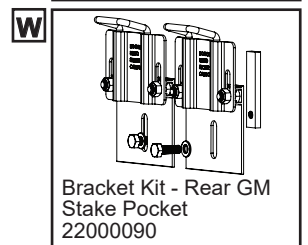
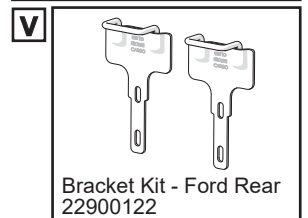
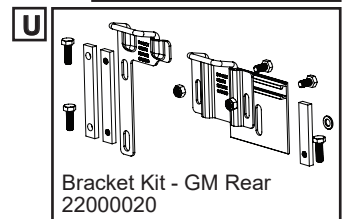
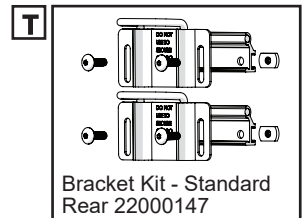
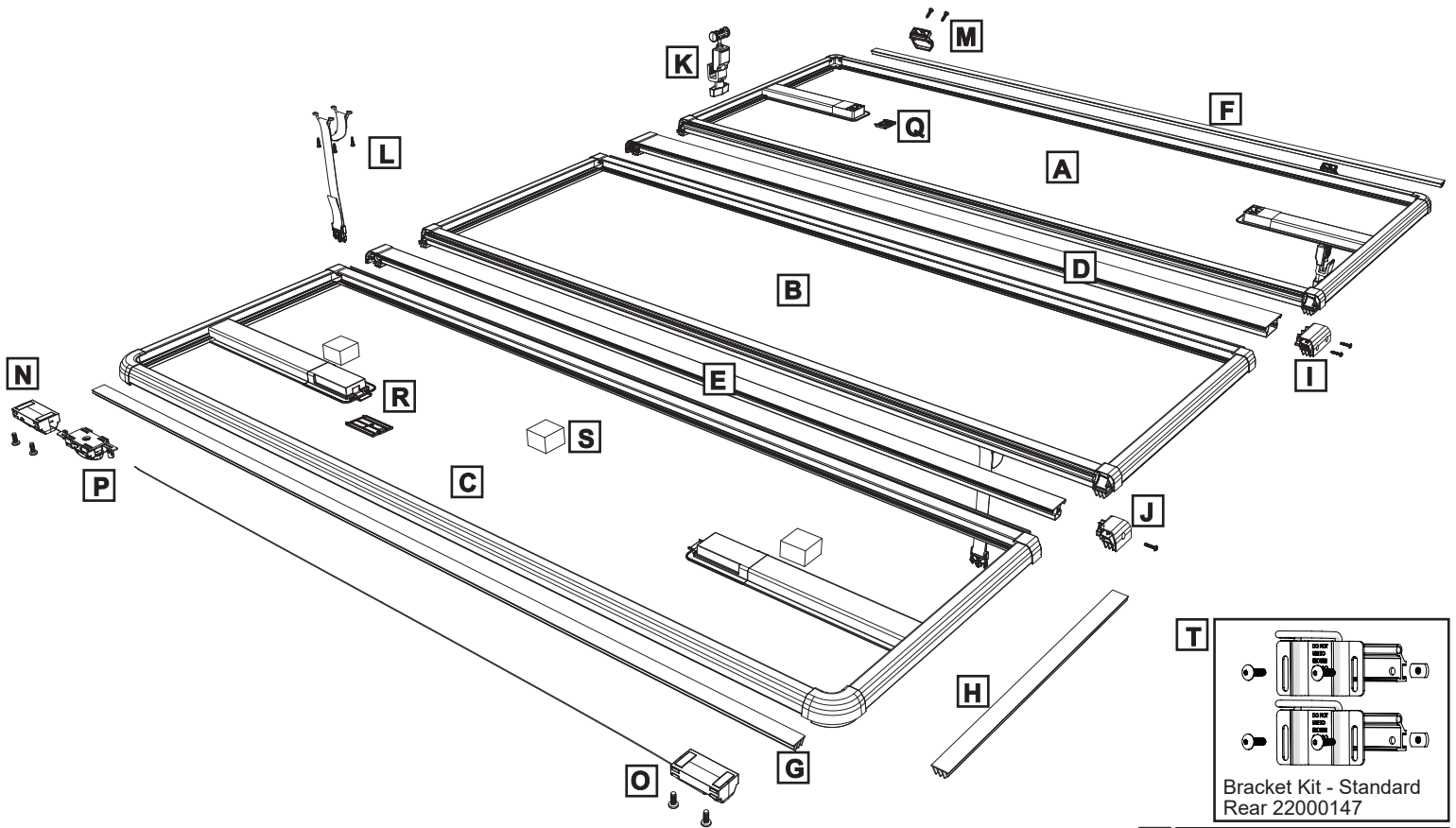
Do NOT allow the vehicle to be towed backwards without first removing the cover from the vehicle.



Remove any snow or foreign matter before folding the bed cover.

# REPLACEMENT PARTS

Replacement parts can be ordered online at [extang.com/replacement-parts](http://extang.com/replacement-parts) or you can contact our Customer Service Department for assistance. When ordering, xxx represents the 3 digit suffix, as referenced on the sales receipt or vehicle application list.



Call Out	Title	Part Number	Description	Qty
A	Cab Panel	88xxx-60	Cab panel assembly	1
B	Mid Panel	88xxx-61	Mid panel assembly	1
C	Tail Panel	88xxx-62	Tail panel assembly	1
D	Cab Hinge	88xxx-63	Cab hinge assembly	1
E	Tail Hinge	88xxx-64	Tail hinge assembly	1
F	Cab Seal	32002112	Single length seal (68"), hollow seal, cut to fit	1
G	Tailgate Seal	32563200	Single length seal, (68"), 4-fin, cut to fit	1
H	Side Seal	32000685	Single length (68") Side Seal, cut to fit	1
I	Cab Hinge Cap Kit	31830010	Cab hinge cap & fasteners	1
J	Tail Hinge Cap Kit	31830020	Tail hinge cap & fasteners	1
K	Front (Cab) Clamp	*	Front clamp assembly*	1
L	Tie Down Kit	31831010	Male buckle Strap & fasteners	1
M	Cab Buckle Kit	31830002	Female buckle & fasteners	1
N	Latch Assembly, Driver	28900100	Autolatch assembly for the driver side	1
O	Latch Assembly, Passenger	28900101	Autolatch assembly for the passenger side	1
P	Rotary Release Assembly	28900102	Rotary assembly	1
Q	Latch Pocket Cover, Cab	35830102	Plastic cover for the latch pocket on the cab panel	1
R	Latch Pocket Cover, Tail	35880002	Plastic cover for the latch pocket on the cab panel	1
S	Spacer Pad	32622500	Foam adhesive backed pad	1
T	Striker Bracket Kit	22000147	Standard rear/tailgate bracket kit.	1
U	GM Striker Bracket Kit	22000020	Complete kit for rear/tailgate striker bracket mounting on GM models, see steps 6A and 6B.	1
V	Ford Striker Bracket Kit	22900122	Complete kit for rear/tailgate striker bracket mounting on Ford Maverick, see step 6C.	1
W	GM Rear Stake Pocket	22000090	Complete kit for rear/tailgate striker bracket stake pocket mounting on select GM models.	1

\* Specify, year, make, model, long or short bed, driver or passenger side.

# LIMITED WARRANTY

## WARRANTY COVERAGE

This truck bed cover is warranted against defects in materials or workmanship as follows. This warranty is void if the product has been damaged in an accident, or due to neglect, unforeseeable use, improper installation, improper servicing, or other cause not arising out of defects in material or workmanship.

**The truck bed cover carries a limited warranty for five (5) years from the original date of purchase, subject to the terms below.**

## WARRANTY IS NOT TRANSFERABLE

The warranty is to the initial owner purchasing the truck bed cover and it is not transferrable to a subsequent end user. Proof of purchase may be required to enforce these warranty rights.

## WARRANTY CONDITIONS

Failure to follow these care and use instructions will void the warranty.

- Clean with mild automotive soap and water only.
- Cover must be secured at all points when vehicle is in motion. When not fully extended, cover must be completely folded up and secured at the cab with the provided buckle straps and tethers attached. Do NOT drive with the bed cover in a partially open position.
- Check all clamps and retention mechanisms for tightness after a week of driving following installation (or re-installation) of the cover and periodically thereafter.
- Before opening, cover must be free of all foreign materials including snow and ice.
- Do NOT tow your vehicle from the rear with the cover on your vehicle. If towing from the rear is required, the cover MUST be removed from the vehicle and properly stored.

## WARRANTY PERFORMANCE

If all warranty conditions are met, a defective truck bed cover or hardware component will either be repaired or replaced (at our option). We reserve the right, for any warranty, to substitute a newer model or bed cover having similar form and function, to offer a warranty discount on an entire replacement system, and/or provide remedies other than those mentioned in this document.

## WARRANTY PROCESS

A Return Authorization number must be obtained from our Customer Service Department prior to returning any product. We may require the original item to be returned postage prepaid for final determination. Shipping charges will apply for any repair or replacement. Other than postage or shipping charges, no charge will be made for repair or replacement under this warranty.

This warranty gives you specific legal rights. As an owner, you may also have additional rights and remedies under the laws of your state.

## WARRANTY REGISTRATION

Warranty registration must be on file and/or proof of original purchase (detailed and dated receipt) required for warranty to be effective.

Register online at <https://realtruck.com/extang-warranty>

**REGISTER  
YOUR  
WARRANTY  
ONLINE**



**SOMETHING DAMAGED? MISSING PARTS?**

---

**CALL US FIRST**  
**800-877-2588**

**WE CAN HELP YOU QUICKLY AND EASILY OVER THE PHONE**

---

Experienced Customer Service staff are available  
to answer all your truck bed cover questions

**CUSTOMER SERVICE HOURS**

**8:30 a.m. TO 6:00 p.m. EST, MONDAY - FRIDAY**

Truck bed cover model: \_\_\_\_\_

Purchase date: \_\_\_\_\_

Lot code: \_\_\_\_\_

*Lot code can be found on the underside of cover.*