

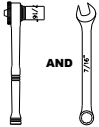


2017-2019 Ford F-250/F-350
(Does NOT Fit The F450/F550)
Front Mount Bracket w/ Mud Flap
Mounting Diagram & Instructions
GB759841

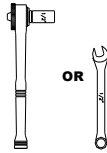
IMPORTANT:

The manufacturer is not responsible for negligent use of vehicle with mud flaps installed, including over-tightening of screws and bolts causing damage to vehicle or mud flaps.

TOOLS REQUIRED:



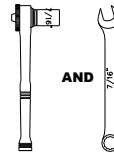
7/16" open wrench
and socket wrench



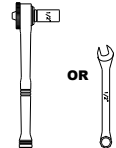
5/16" open wrench
or socket wrench



Slotted
Screw Driver



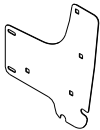
10mm open wrench
and socket wrench
(truck w/ flare only)



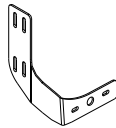
7/32" or 5.5mm open
or socket wrench
(truck w/o flare only)

BRACKETS

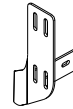
(2) Mount Bracket,
Front
Part #759843



(1) Brace
Front, DS
Part #759844



(1) Brace
Front, PS
Part #759845



(2) Strip Washer
Front
Part #759846

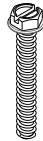


PARTS BAG #759853

a) (4) Capscrew, SS
1/4" - 20UNC x 3/4"
Part #014034



b) (6) Screw, Sheet Metal
SS, #12 x 1-1/2" HWH
Part # 010045



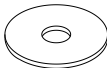
c) (2) Screw, Sheet Metal
ss, #12 x 1"
Part #010046



c) (4) Washer, Lock
SS, Helicoil
Part # 024000



e) (8) Washer, Flat
Aluminum, 0.281" x 1"
Part #018052



f) (8) Washer, Flat
SS, 0.281" x 1"
Part # 018028



g) (4) Flange Nut,
Serrated, M6
Part # 025025



h) (6) Washer, Nylon
1" OD x 0.318" ID
Part # 054061



i) (4) Nut, Hex
SS, 1/4" - 20UNC
Part # 025000



j) (9) Nut, Expansion
Nylon, Natural #12
Part # 054059



k) (2) Nylon Spacer
1/2" x 1/2", ID 1/4"
Part #054063



*****Note*****

Aluminum Washer will appear duller and will be lighter in weight than the mirror finish stainless steel washers included.

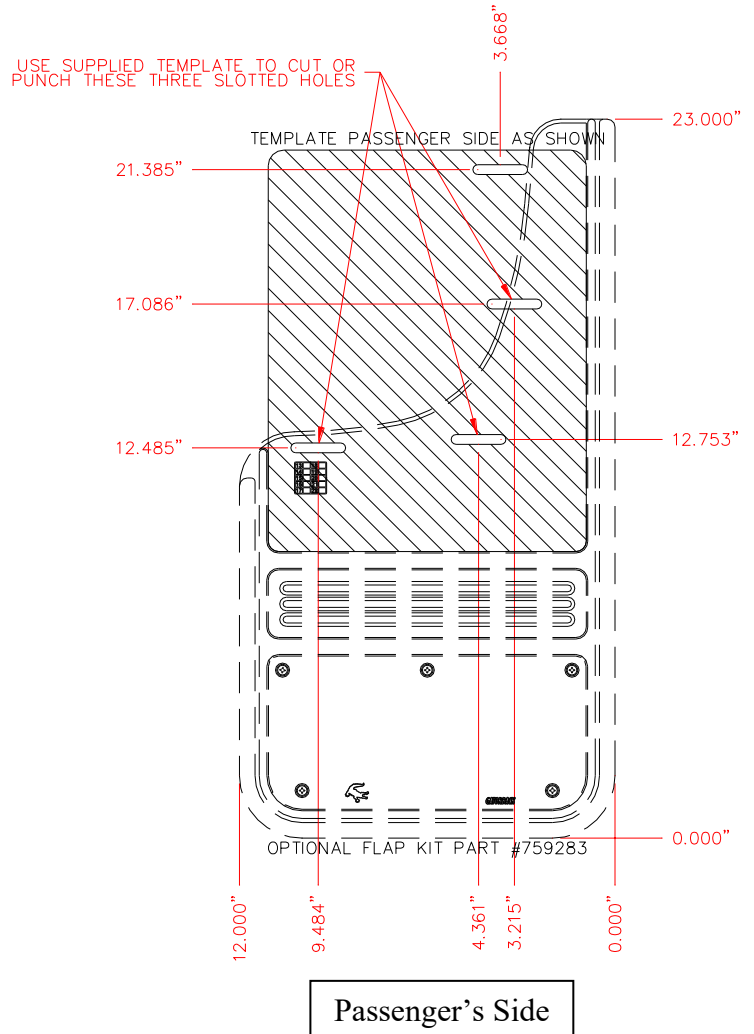
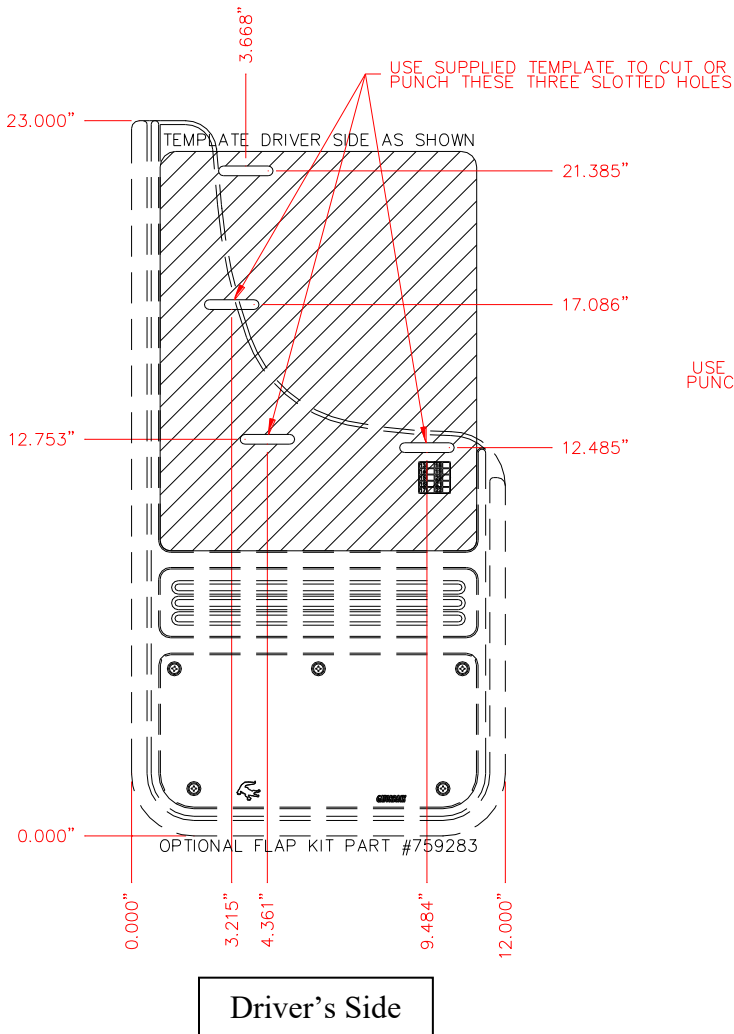


*****Note*****

All Gatorback Mudflaps come with a hardware bag that, when using this bracket kit, can be disposed of. All hardware needed for this install is included with this bracket kit.

RUBBER FLAP INSTALLATION:

1. Start on driver side.
2. Cut the supplied full size template outline
3. Lay the cut template onto the front of the mud flap. (See diagram #2).
4. Cut the same size as the slotted holes on the template through the rubber flap.
5. Install the mud flap to the bracket with a strip washer, three sheet metal screws, three stainless steel washers, and three nylon washers. The top two holes of the strip washer use #12x1" screws and the bottom holes uses a #12 x 3/4" screw. Hole #3 uses a #12x1" screw with a stainless steel washer. Loosely secure at this point.
6. Square the flap with the tire while putting pressure against the wheel well and tighten all four sheet metal screws on the flap.
7. Repeat on passenger side.



Installation:

These instructions are best used in conjunction with our install video, which can be found at: <https://www.truckhardware.ca/installation>

1. Install the 4 nylon expansion nuts, #054059 into the mount bracket. Make sure all nuts are seated properly.
2. Attach the mount bracket to the brace with supplied hardware. Use the inside holes on the brace for trucks with OEM flares and the outside holes for trucks without.
3. Turn wheels to get access to wheel well where the flap will be installed.
4. Loosen screws that secure the fender liner to the fender edge.
5. On trucks with flares; remove the lower front screw.
6. Slide the outside edge of the bracket between the plastic fender liner and the metal edge of the fender, on the non-flare trucks.
Trucks with Flares: Install bracket between the flare and the aluminum fender lip.
7. Attach the back brace onto the two lower factory fender bolt using the supplied M6 flange nuts, #025025.
8. Reinstall lower front screw on trucks with flares.
9. All the loose fasteners can now be tightened.
10. Attach mud flap to bracket starting with the inside fasteners. Do not tighten completely, so you can still adjust / straighten the mud flap.
11. Position strip washer 759846 over top of flap and attach outside fasteners. Use nylon spacer #054041 on top position to fill void between mount bracket and strip washer. Move nylon spacer to desired location to distribute pressure of strip washer evenly on mud flap.
12. Make sure flap is mounted in the desired position and then hand tighten all the bolts. Make sure not to over tighten fasteners as the expansion nuts could be damaged.

✓ Check all fasteners for tightness. Repeat procedure on the passenger side.

Installation Diagram

