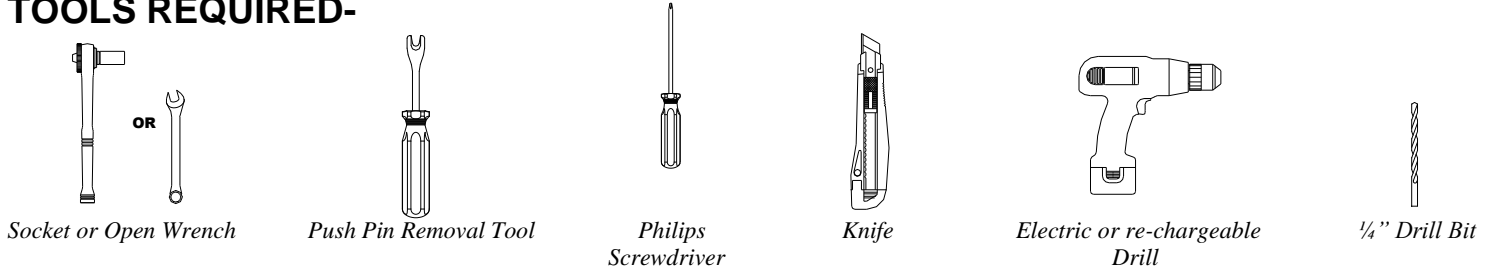


IMPORTANT:

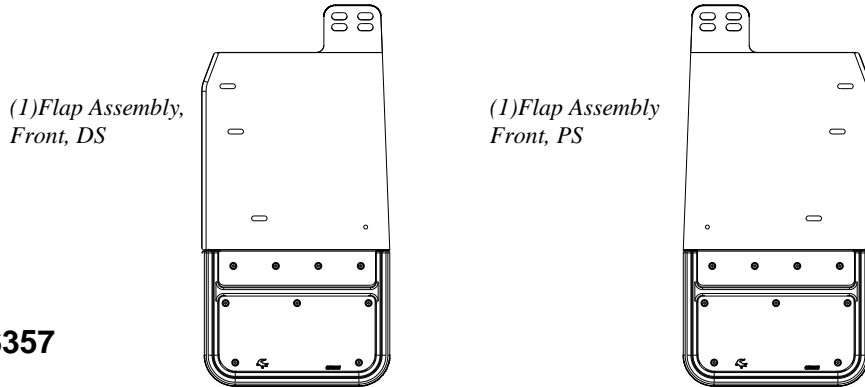
Manufacturer is not responsible for negligent use of vehicle with mud flaps installed, including over-tightening of screws and bolts causing damage to vehicle or mud flaps.



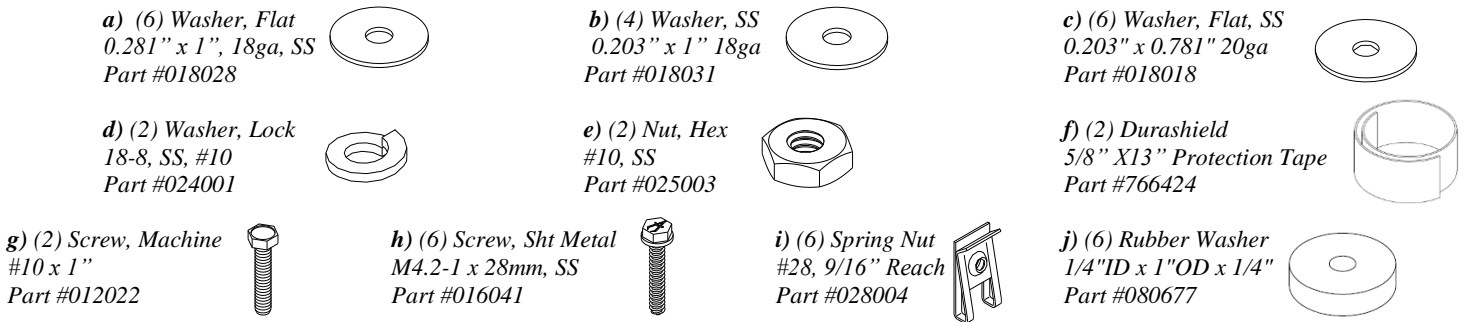
TOOLS REQUIRED-



FLAPS



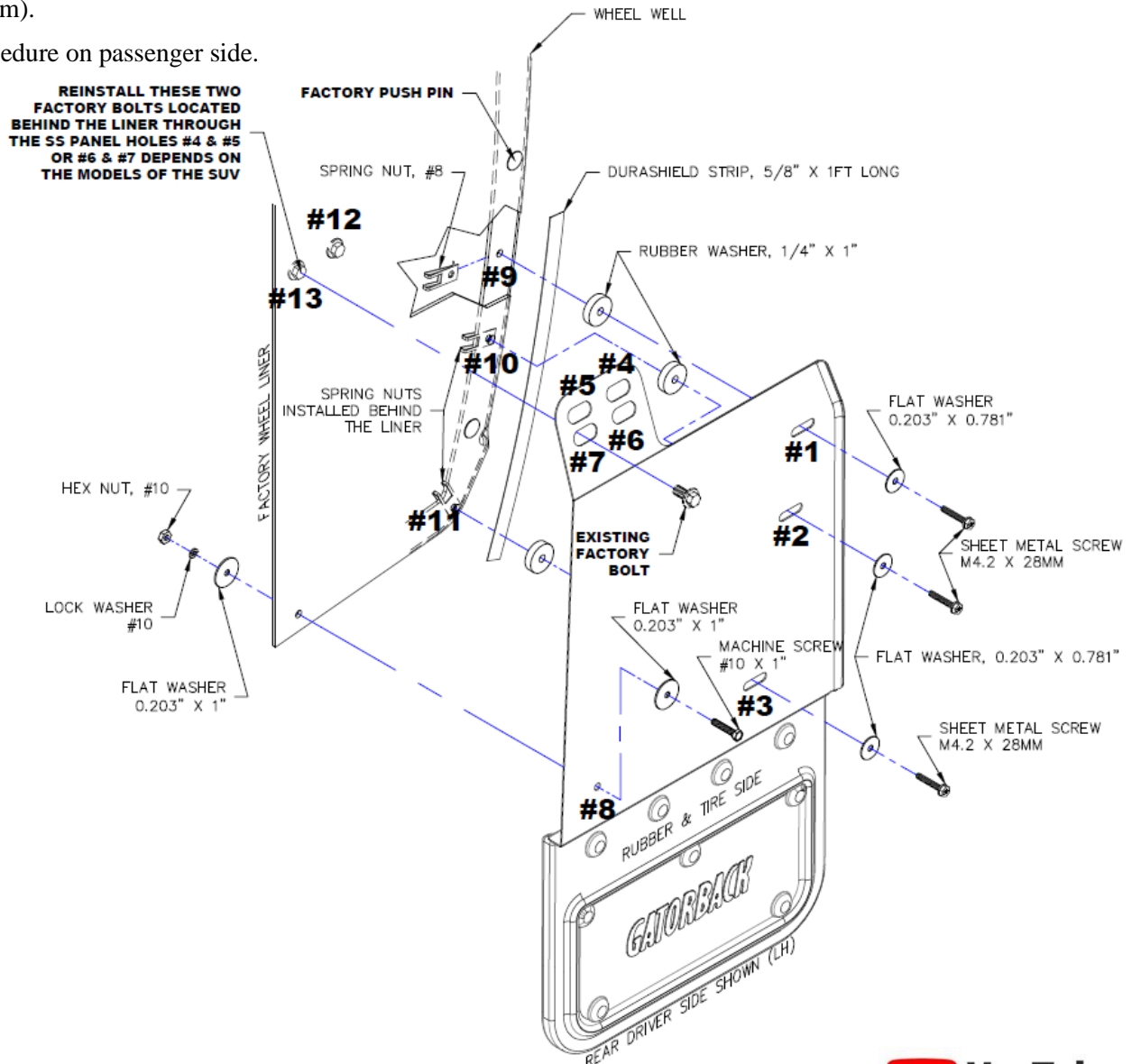
PARTS BAG # 766357



INSTALLATION (For ease of installation it is suggested that the wheel be removed)

1. Before you install your Mud Flap Set, see the diagram and parts list for all necessary parts.
2. Remove the factory push pins and factory screw located on the inner fender. Pull back the fabric liner to reveal two factory bolts underneath.
3. Back out the (2) factory bolts, but do not remove at this time. When they have been backed off until you can feel the bolts through the fabric liner, make an "x" in the fabric liner over each bolt using a knife or box cutter. You can now remove the factory bolts.

4. Lift the fabric liner to expose the factory holes that contained the plastic push pins. Carefully install 3 spring nuts into holes #9 to #11 (See Diagram). Lay factory fabric liner back into place and reinstall factory push pins and factory screw into the remaining holes.
5. With the liner back in place, use a drill with a 1/4" bit to clean out the 2 cuts made in step 3. Test fit by reinstalling the factory bolts through the liner. Do not leave bolts installed at this time.
6. Hold the mud flap in place and use a marker to make a mark about 1/4" above the mud flap.
7. Install Durastrip from the mark down the edge of the vehicle. This protects the paint and body from the mud flap.
8. Remove the protective frisket from the upper panel of the mud flap and loosely install the flap through holes #1 to #3 into holes #9 to #11 using (3) sheet metal screws, (3) stainless steel washers, and (3) rubber spacers. (See Diagram)
9. Loosely reinstall the inner factory bolts through holes #12 & #13. *Note* There are (2) sets of upper holes on the inner mud flap due to differences from vehicle to vehicle. Now that you have cut holes in the liner, use the hole set that best matches.
10. Using a bubble level or square, ensure that the mud flap is level. Viewing the truck from the back, the outer edge of the mud flap should appear parallel to the tires.
11. Carefully tighten all screws. Ensure that the mud flap is still level.
12. With a 1/4" drill bit, drill through the inner lower flap hole #8 and the factory liner. Securely install the liner to the flap using (1) machine screw, (1) stainless steel washer, (1) stainless steel lock washer, and (1) stainless steel nut. (See Diagram).
13. Repeat procedure on passenger side.



Please check out our YouTube channel to see an install video for this application.

