



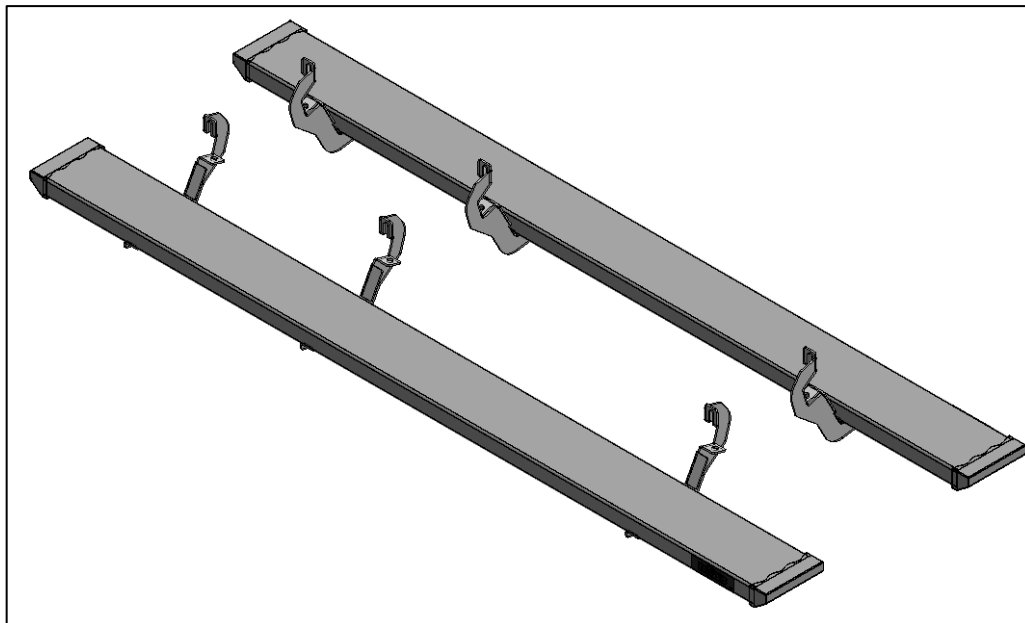
I-SHEET NUMBER: INST-00007
 PART NUMBER: GFC07CC-TX
 PRODUCT: **Growler Running Board**
 APPLICATION: **2007-2018 CHEVY/GM
 CREW CAB**

ARDWARE DESCRIPTION		QTY.
HWKT-00016X		
CLIP-00643	M8-1.25 X 20MM BARREL U-NUT CLIP	2
HHCS-00647	M8-1.25 X 25MM CLASS 8.8 HEX CAP SCREW	12
FLHB-00688	3/8"-16 X 1" GRADE 5 HEX SERRATED FLANGE BOLT	12
HXNT-00708	M8-1.25 CLASS 8 FINISHED HEX NUT	6
FDRW-00736	M8 FENDER WASHER	18



PARTS INCLUDED	QTY
Running Boards	2
Rocker Panel mounting Brackets	6
Threaded clamp plates	6

GROWLER



Step 1: Look on the underside of the body and locate the factory supplied mounting positions.

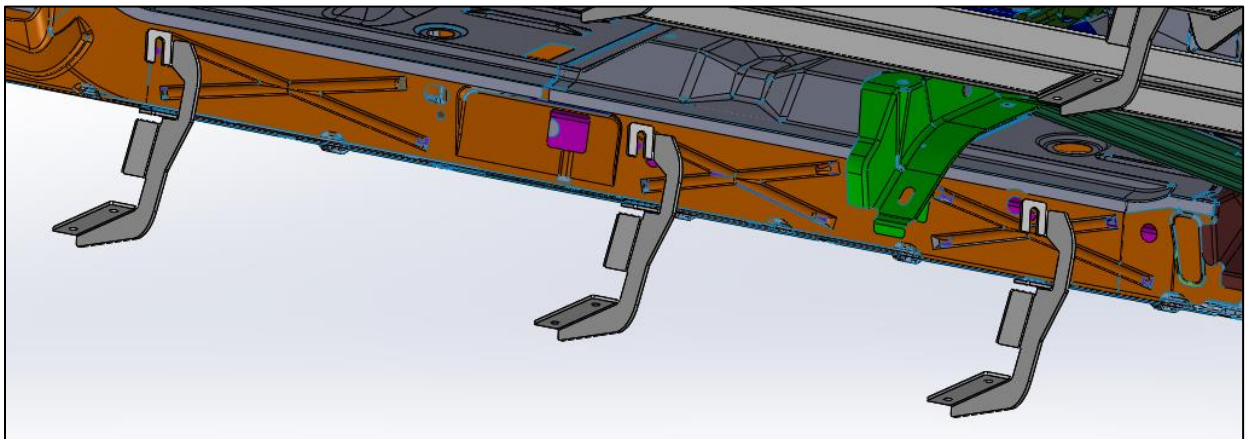
NOTE: Some vehicles require the use of speed clips and nuts, which are supplied with the hardware kit.

Step 2: If your vehicle requires the use of the speed clips, install at this time. This requires the removal of a plastic body plug. Using a flat head screwdriver remove the plug and install one of the supplied speed clips.

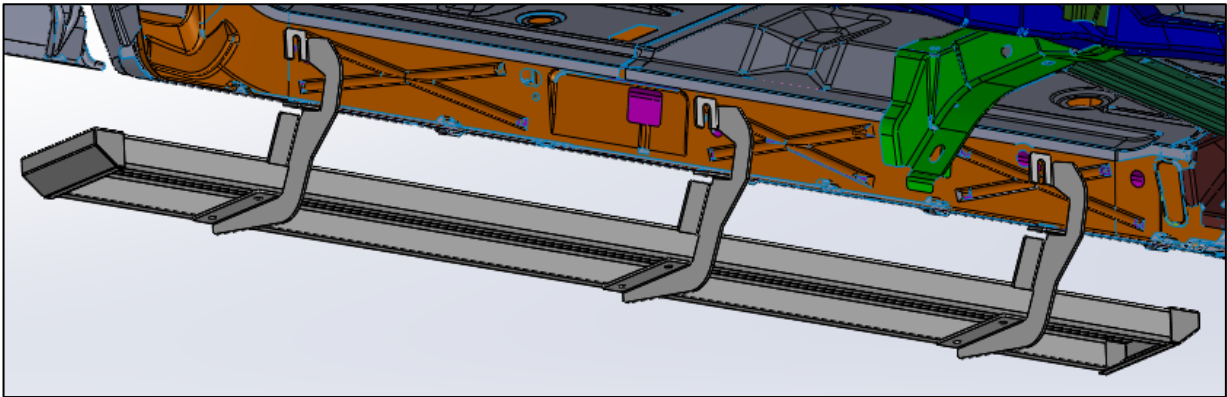


Step 3: Install the brackets to the mounting locations in the body of the vehicle and install hardware.

Do not tighten all the way. **NOTE:** Some vehicles may require the use of additional nuts and washers for the lower portion of the mounting bracket which are supplied in the hardware kit



Step 4: Set running board along the top of all three brackets and center along the cab.

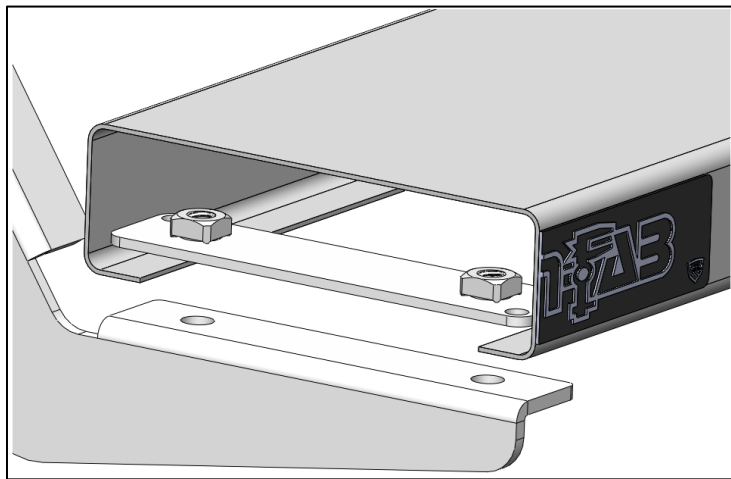


Step 5: Insert the supplied threaded brackets (x3) inside the running board lip over the top of each bracket.

Step 6: With the supplied 3/8" x 1" hex bolts, secure each mounting location and leave loose.

Step 7: After final adjustment, tighten all running board threaded mounts.

Step 8: Next, adjust frame brackets so the running board is level with body of the vehicle and tighten all factory-mounting locations.



Step 9: Re-repeat steps 2-8 for passenger side.