



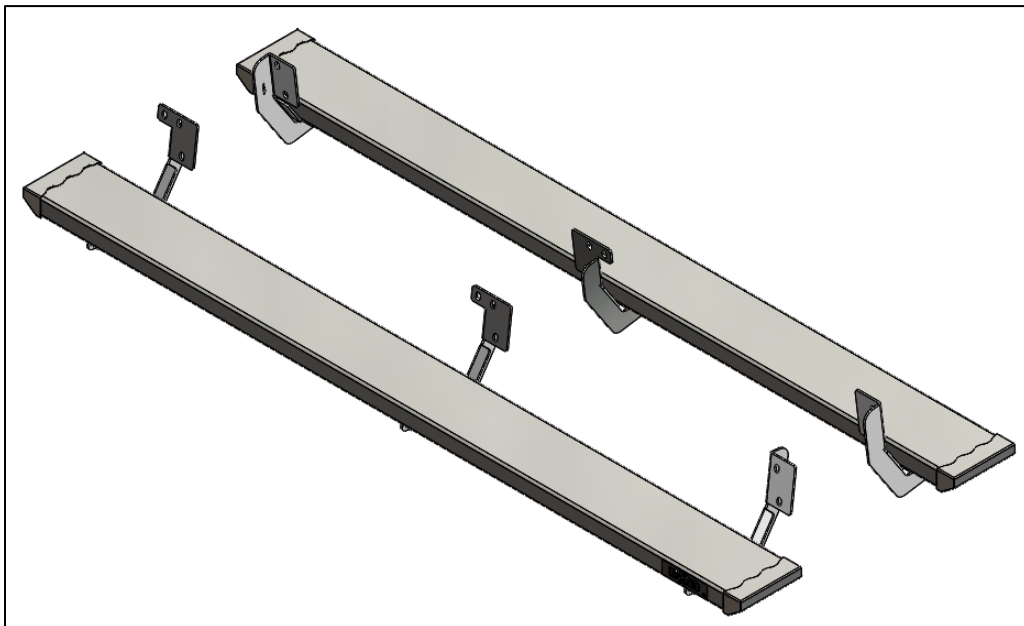
I-SHEET NUMBER: INST-00009
 CABPART NUMBER: GFD19CC-TX, GFD19QC-TX
 PRODUCT: GROWLER RUNNING BOARD
 APPLICATION: 2019-2024 RAM 1500 CREW
 RAM 1500 QUAD CAB

HARDWARE DESCRIPTION		QTY.
HWKT-05693X		
FLHB-00688X	3/8"-16 X 1" GR. 5 HEX SERRATED FLANGE BOLT	12
FLNT-00696X	M8-1.25 CLASS 8 SERRATED FLANGE NUT	12



PARTS INCLUDED	QTY
Running Boards	2
Rocker Panel mounting Brackets	6
Threaded clamp plates	6

GROWLER



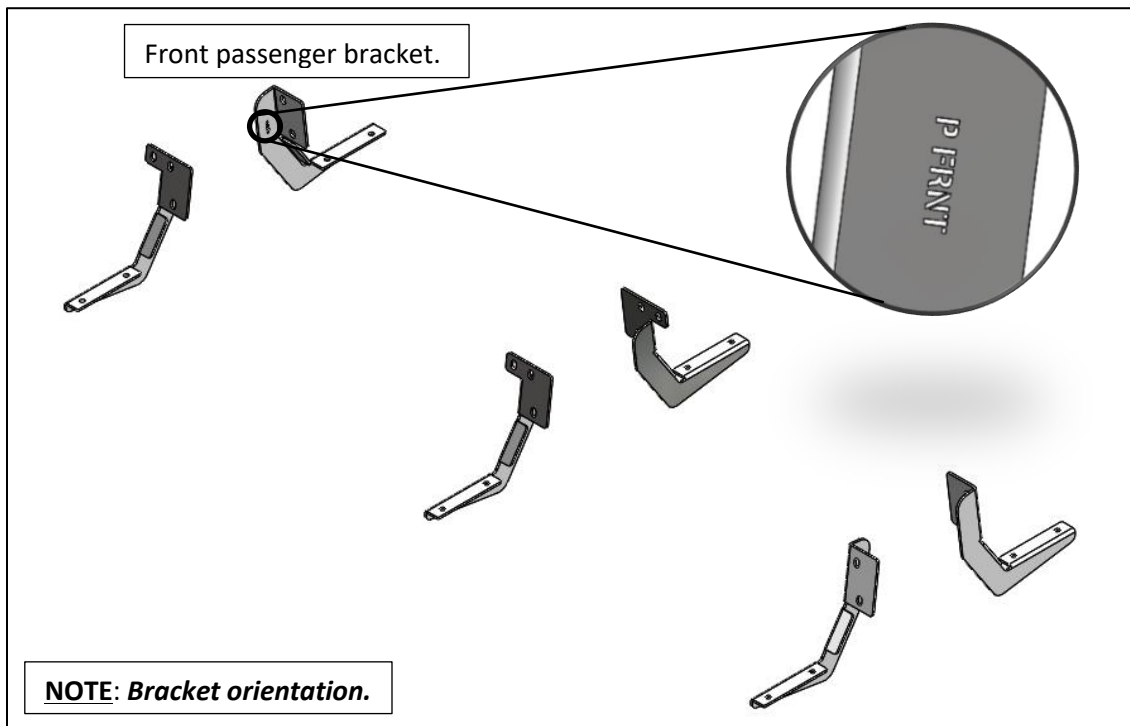
Step 1: Starting with the driver side, remove any steps and old hardware from the vehicle.



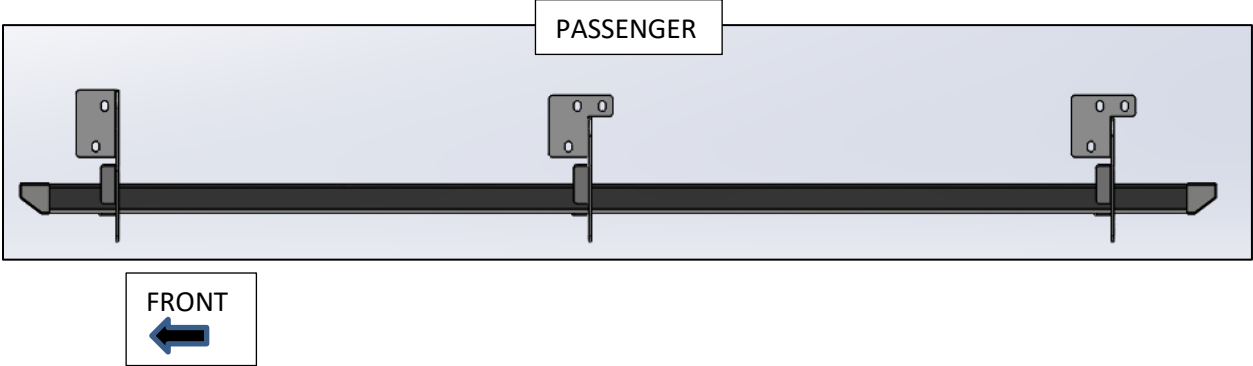
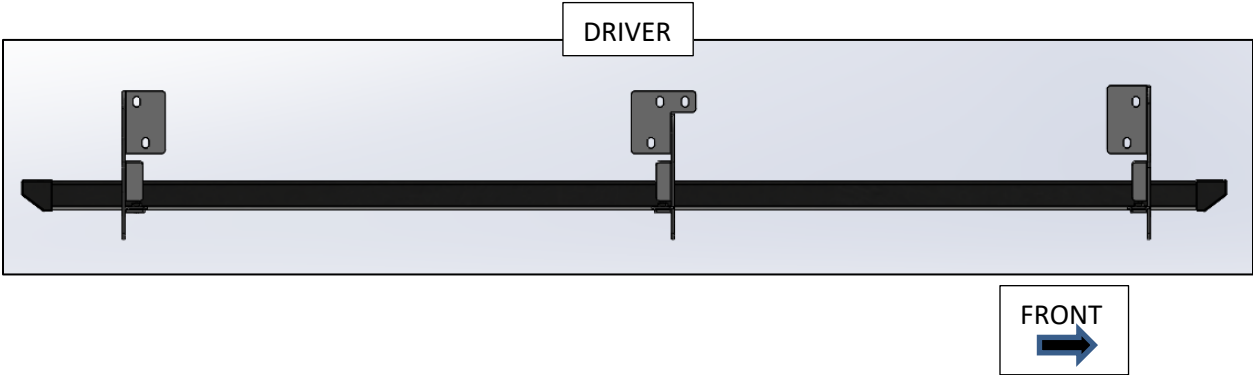
Step 2: On the inside rocker panel there will be three 8mm studs coming out from the panel. These studs may be covered in paint and will need to be cleaned before the installation.



Step 3: Carefully install the x3 rocker panel mounting brackets (both sides of truck) to the factory attachment points using the provided M8 flanged hex nuts. Leave finger tight for now.

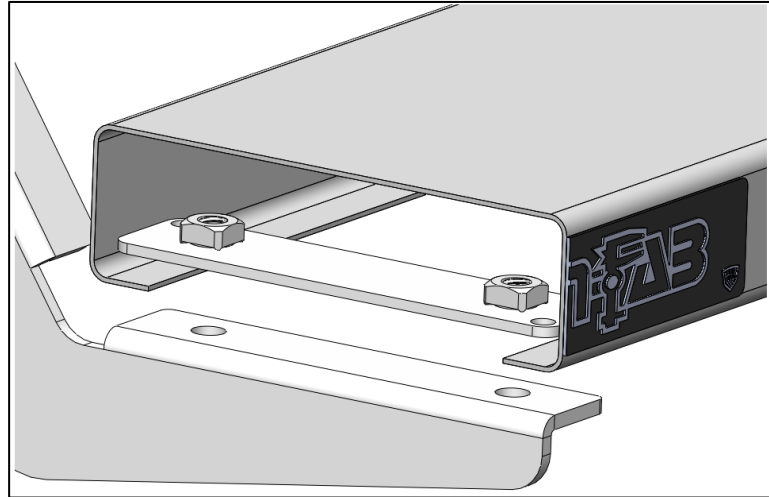


Step 4: Set running board along the top of all three brackets and center along the cab.



Step 5: Insert the supplied threaded brackets x3 inside the running board lip over the top of each bracket.

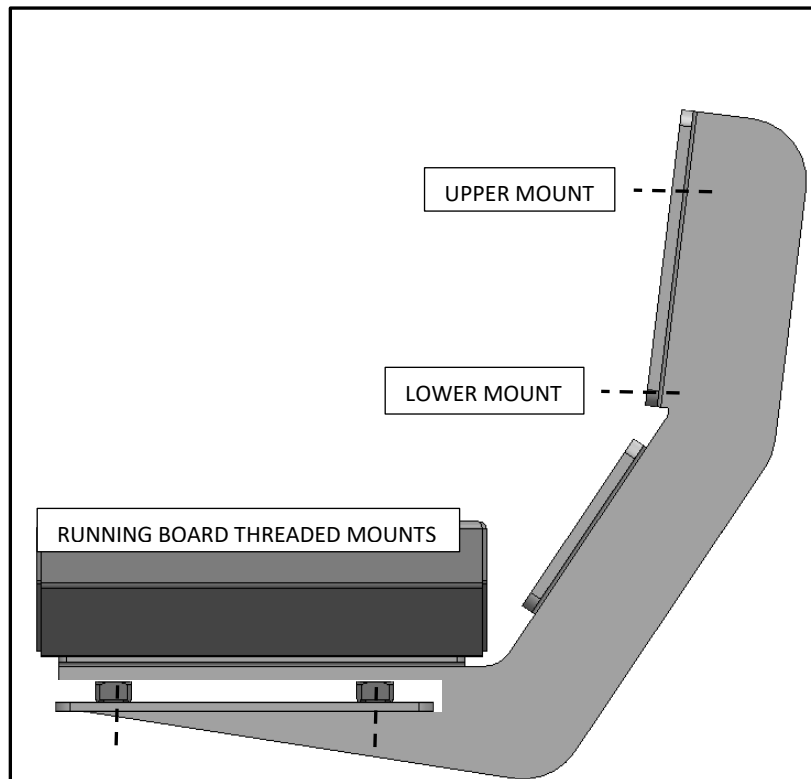
Step 6: With the supplied 3/8" x 1" hex bolts, secure each mounting location and leave loose.



Step 7: After final adjustment, tighten all running board threaded mounts.

Step 8: Next, tighten the lower attachment points (x3).

Step 9: Finish by tightening the upper mounts (x3).



Step 10: Repeat steps 4-9 for passenger side.