

Installation Instructions

76-86 Jeep Wrangler CJ7
88-95 Jeep Wrangler YJ
with half doors



I-68111
Part Number
68111, 68115,
68117, 68211,
68215 & 68217

Complete Soft Top

For proper installation and best possible fit, please read all instructions BEFORE you begin.
For technical assistance or to obtain missing parts, please call Customer Relations at 1-800-328-2409.

Important Safety Information

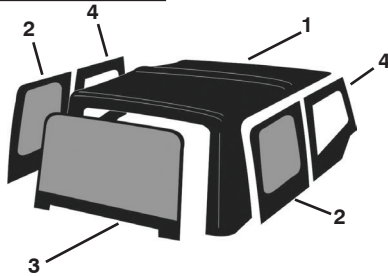


NOTE: Installation of the top in warm weather is optimal for ease of installation. Ideal installation temperature should not be less than 70° (21C). Initial installation is the most difficult as the fabric has not been stretched. The top will loosen slightly with use and warm temperature. Allow about at least an hour for the initial installation.

Please follow instructions for ease of installation and correct fit.

Contents

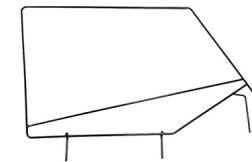
NOTE: Actual product may vary from illustration.



1. Main Skin
2. Quarter Windows (Left and Right)
3. Rear Window
4. Door Skins (pre installed on Frames)
5. Bow Assembly and (2) Connecting Tubes



Windshield Uprights (L&R, with hardware)



Upper Half Door Frames (with door skins pre-installed)



Windshield Channel (with hardware)



Tailgate Bar Kit (with Mini-Tonneau and hardware)



Tub Belt Rail Kit (with hardware)



Soft Top Storage Bag



Off-Road Organizer

Hardware

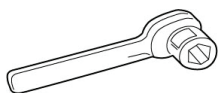
Tub Belt Rail Kit
(12) 5/16" Tapping Plates
(12) 5/16" Flat Washers
(12) 5/16" Torx Bolts
(2) Side Rail Pins

Tailgate Bar Kit
(4) #10-24 x 1/2" Phillips Machine Screw
(4) #10-24 Nylock Nuts
(4) #10 Flat Washers
(4) #10 Star Washers
(2) #8 x 1" Sheet Metal Screws

Header Channel
(11) #8 x 1/4" Sheet Metal Screws

Windshield Uprights
(8) #8 x 1/2" Sheet Metal Screws

Tools Required



Ratchet



Torx Bits or Sockets



Drill Motor & Drill Bits



Safety Glasses



Phillips Screwdriver

Installation

NOTE: Actual application may vary slightly from illustrations.

- 1** Remove existing soft top or hard top.

NOTE: The Rampage Complete Top for 1988-1995 Jeep Wranglers can only be installed on vehicles with half doors.

- 2** Position Windshield Channel onto vehicle as shown in **Figure 1**.

Once in position, secure Windshield Channel using the included (11) - #8 x 1/4" Sheet Metal Screws.

NOTE: In some cases the holes on the Windshield Channel will line up with existing holes. In this case, ensure holes are not too large to install the new screws included in the package. If holes are too big, you must replace the included screws with larger screws, found at any local hardware store.

If you are replacing a hardtop, use the Windshield Channel as a template to drill 1/8" holes.

Figure 1



- 3** Windshield Upright Installation

Locate Driver Upper Door Windshield upright and position it on the side of the windshield. With Upper Door Windshield upright in position mark the vehicle through the holes (**See Figure 2**).

Remove Upper Door Windshield upright and place aside. Carefully drill 1/8" holes on the marked locations.

Re-position Upper Door Windshield upright and secure it by using the included (4) - #8 x 1/2" Sheet Metal Screws (**See Figure 3**).

Repeat steps 3-5 for opposite side.

Figure 2



Figure 3



Installation

4

Locate Passenger Side Belt Rail, (4) – 5/16" Torx Bolts, (4) – 5/16" Flat Washers, and (4) – 5/16" Tapping Plates.

Position Side Belt Rail onto vehicle and secure it using the hardware listed in this step. The sheet-metal has pre-drilled holes from the factory that will line up with Belt Rail. **See Figure 4, 5 and 6**

Repeat this step for opposite side.

Figure 5

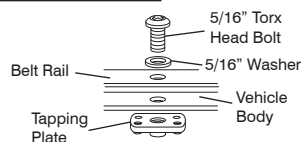


Figure 6

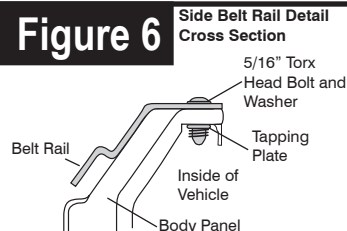
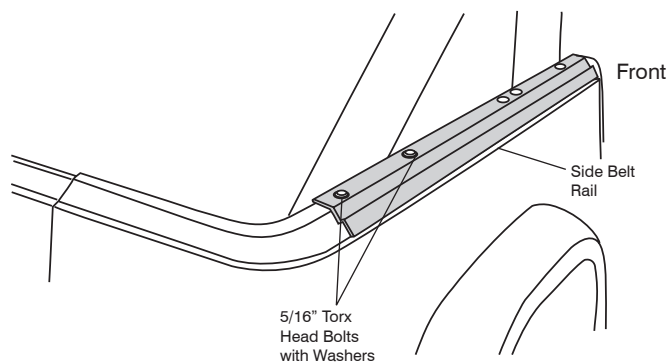


Figure 4



5

Locate Passenger Corner Belt Rail, (2) – 5/16" Torx Screws, (2) – 5/16" Flat Washers, and (2) – Tapping Plates.

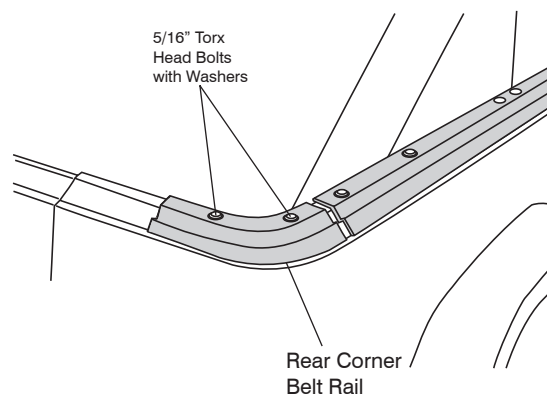
Position Corner Belt Rail onto vehicle and secure it by using hardware listed in this step.

Note: There may be a slight gap between the Corner and Side Belt Rail. This is Normal.

See Figure 5, 6 and 7

Repeat this step for opposite side.

Figure 7



6

Locate Passenger Tailgate Bracket, (2) - #10-24 x 1/2" Phillips Machine Screws, (2) - #10 star lock washers, (2) - #10 Flat Washers and (2) - #10-24 Nylock Nuts. In some cases the holes on the Tailgate Bracket will line up with existing holes. In this case, use the existing holes as pilots to drill 3/16" holes on the vehicle.

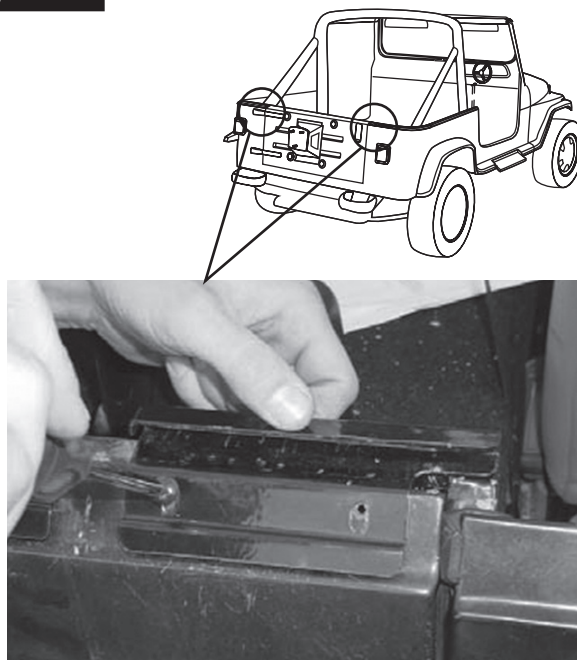
Note: Carefully check under the drilling area to be sure you do not drill into any concealed wiring.

Note: If you are replacing a hardtop, use the Tailgate Bracket as a template to drill 3/16" holes. Position Tailgate Bracket and secure it by using the hardware listed in this step

See Figure 8

Repeat this step for opposite side.

Figure 8



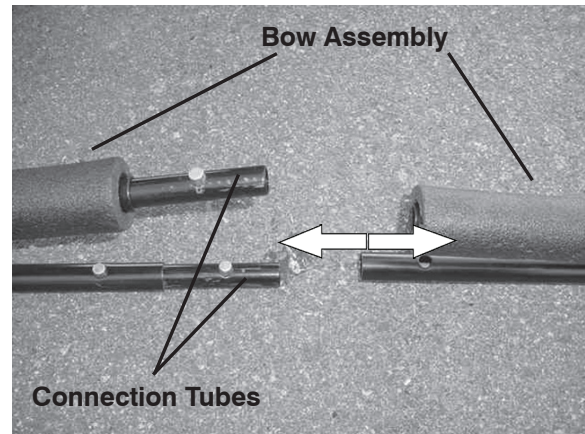
7 Lay Bow Assembly on a flat clean surface and identify the Front and Rear Bow.

Note: The Front Bow will include foam padding where as the rear will not.

Assemble the two halves of the Bow Assembly using the included Connection Tubes with push buttons. **See Figure 9**

Note: It may be helpful to use a flat screwdriver to push down the buttons while sliding Bow halves together. Also, it may be helpful for two persons to slide both sides of the Bow Assembly forward simultaneously.

Figure 9



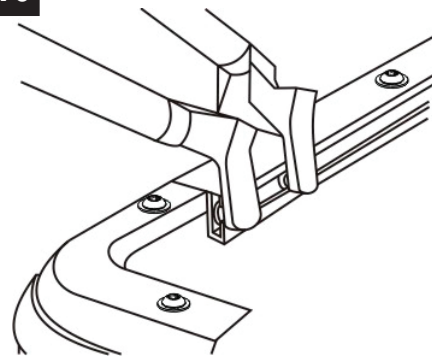
8 With the Bow Assembly secured together, slide the ends of the front and the rear bows into the tracks in the Side Belt Rails on each side of the vehicle

See Figure 10 & 11

Note: Slide the Bow Assembly from the rear of the vehicle towards the front. Secure Bow Ends by Inserting Side Rail Pin into Side Rail

See Figure 11

Figure 10



9 Unfold Passenger Upper Side Rail towards the front of the vehicle until it reaches the Passenger Upright Pin.

Insert the plastic Upright's Pin through the Side Rail's hole and lock it in place by sliding the square clip to the opposite side **See Figure 12 & 13**

Note: Make sure the Upper Side Rail is properly secure prior to installing the soft top. Damage to the vehicle or personal injury can occur if not installed properly.

Repeat this step for opposite side.

Figure 11

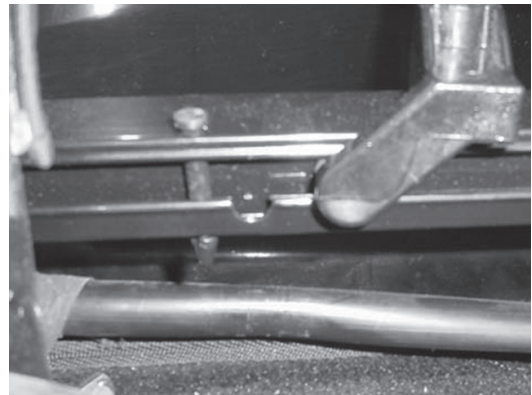


Figure 12

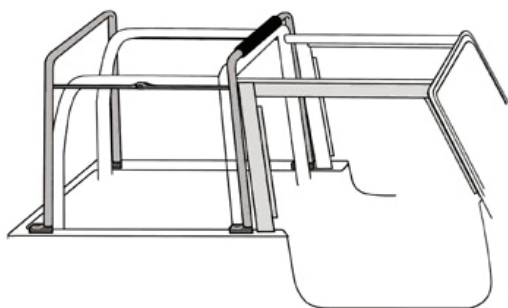
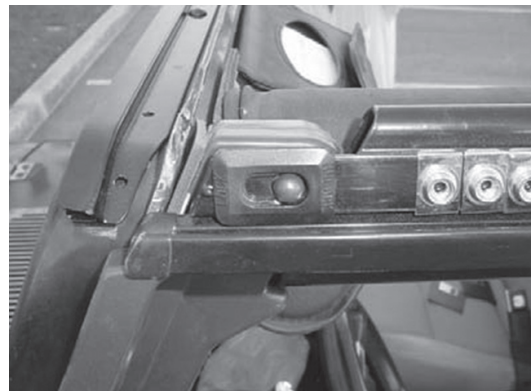


Figure 13



10

With the Bow Assembly in position, locate the Adjustable Spreader Bar.

Lock it in the up/straight position. Secure it by inserting the steel pin through the hole of the spreader bar-straight pin portion facing inside the vehicle

See Figure 14

Figure 14



11

To loosen or tighten your soft top, locate the adjustable sleeve on the Spreader Bar. Remove pin and twist to tighten or loosen the soft top. Reinsert pin after adjustment is made.

Note: Ensure to adjust the spreader bar equally on both sides of the vehicle.

The adjustable bar can be used to keep your soft top fabric tight in hot weather.

See Figure 15

Figure 15



Fabric Installation

NOTE: Actual application may vary slightly from illustrations.

1

Lay the new main skin over the hardware.

See Figure 1

Attach the corresponding snaps to the middle and rear bows.

See Figure 2

Figure 1



Figure 2



Fabric Installation

- 2** Insert the front of the top into the Windshield Channel. Connect snaps at corners of main skin to corners of windshield frame.

See Figure 3

Insert rear corners of top into rear corner Belt Rail.

See Figure 4

Figure 3



Figure 4



- 3** Pull the bottom of the rear support bow back until it snaps into the notch in the Side Belt Rail. **See Figure 5**

NOTE: Bow must slip into notch in Side Belt Rail.

Figure 5



- 4** Push the Spreader Bars up until they snap into place. Reinsert locking pin.

See Figure 6

Figure 6



Fabric Installation

- 5** Start zipper on the side window about 6 inches.

Insert the plastic strip on the front of the side window into channel on the front support bow/door surround.

Insert the plastic strip on the bottom of the side window into the side Belt Rail .

NOTE: Start at front end of the strip and work along it to the other end. Close the horizontal and vertical zippers on the side window. Repeat this step for opposite side.

See Figure 7

Figure 7



Front Support Bow/
Door Surround

Side Belt Rail

- 6** Install rear window to main skin by bringing both zipper pulls to end of zipper on driver side and sliding the tab on the window side through both. Pull the upper zipper pull up and over to the opposite side.

Slide the Tailgate Bar onto the flap bottom of the rear window. Center the Tailgate Bar to the vehicle.

See Figure 8

Figure 8



- 7** Rotate the Tailgate Bar downward and toward the vehicle. Push the Tailgate Bar into the receiving channel in the brackets mounted on either side of the Jeep's rear door. Make sure that the Tailgate Bar is secure.

See Figure 9

Figure 9



Fabric Installation

- 8** Fasten snaps on the main skin to the sliding snaps along the top of the door surrounds.

The sliding snaps will adjust to the proper location for the snap on the main skin.

See Figure 10

Figure 10



Door Skin Replacement

Door skin replacements are designed to be tight on the frame. This can make installation difficult. Installation is best done when the door skins have gotten warm/hot to the touch.

Do not use tools during installation to avoid damaging the fabric and seams.

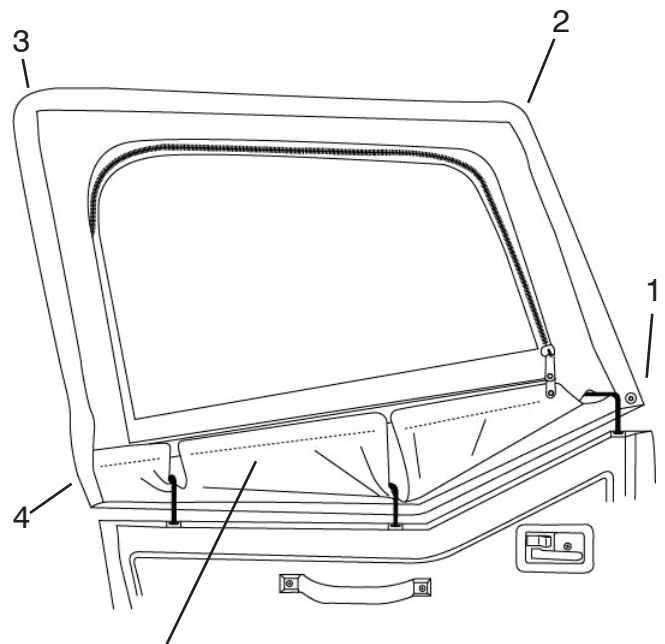
Lay the door skin on a clean flat surface and release the Velcro. Unzip the window. Insert the front corner into the door skin moving to the front/top corner and continue in a circle.

Pull bottom flaps up to meet Velcro.

See Figure 10

Reinstall upper half door to vehicle. Connect the snap at the front bottom corner to the door. Insert plastic strip along bottom of upper half door to Belt Rail on exterior of door.

Figure 11



Bottom Flaps

Care and Cleaning

Convertible tops and accessories require special care if you want to get the maximum usage and enjoyment from them. The following recommendations, if followed carefully, can extend the life of your top or accessory.

Hand wash using a mild non-detergent soap such as ivory. Use a non-abrasive cloth or sponge. Rinse thoroughly. Do not wash in direct sunlight and avoid automatic car washes. When your top is clean, we recommend using "Ragg Topp" or "303 Protectant" on both the vinyl top and windows. This product contains a sunscreen that helps protect from the sun's damaging rays. Stay away from products containing alcohol, as it will cause the fabric and windows to lose their elasticity, thus reducing the life of your top or accessory. If you are unable to locate "RaggTopp" Please call 1-800-377-4700 for a distributor near you. For "303 Protectant", please call 1-800-223-4303 for a distributor near you.

Direct sunlight and heat are the biggest enemies of the windows. Park in the shade whenever possible. If you must park in the sunlight, rotate the direction that you park every few days so all windows get even exposure.

Our tops are designed so that you may roll up and/or store the rear curtain and side curtains. To prevent scratching of the windows, be sure that windows are completely clean and free of dust particles. Even a little dirt will badly scratch the windows. You may want to use a soft cloth when rolling up or storing your windows. Heat may build up on rolled up windows, so be sure to unroll them frequently. If you roll up the windows at the beginning of summer and leave them, they may be ruined by fall.

Do not open or roll up windows at temperatures below 45 degrees F this could cause them to crack or break.

Zipper Care

DO NOT use pliers or other tools to pull on zippers. If the zipper requires more force than pulling with your fingers something is most likely out of alignment or improperly installed. Be sure the top is up to a temperature of 70 deg., and that the components are installed correctly and in the correct sequence to ensure protection of the zipper.

Zippers require periodic cleaning and lubrication to ensure longevity and ease of use. Clean by wiping with a towel soaked in soap and water, DO NOT USE HARSH CHEMICALS. Zipper lubricants are available at sporting goods stores and online for wetsuits. An occasional use will keep the zipper slides operating as new.

Congratulations!

You have purchased one of the many quality Rampage branded products offered by Lund International. We take the utmost pride in our products and want you to enjoy years of satisfaction from your investment. We have made every effort to ensure that your product is top quality in terms of fit, durability, finish and ease of installation.



The material that your product is made from can be recycled. Please also consider recycling the packaging that your product came in.



800-328-2409 • Visit us at Rampageproducts.com
© 2018 Lund Motion Products, Inc. All rights reserved.
Rampage Products™ is a trademark of Lund Motion Products, Inc.

LUND
INTERNATIONAL

Instrucciones de instalación

IS-68215_RevB

76-86 Jeep Wrangler CJ7
88-95 Jeep Wrangler YJ
with half doors



Complète mous haut

Pour une installation correcte et un ajustement optimal, veuillez lire toutes les instructions AVANT de commencer.
Pour obtenir une assistance technique ou pour obtenir des pièces manquantes, veuillez contacter le Service à la clientèle au 1-800-328-2409.

Informations de sécurité importantes

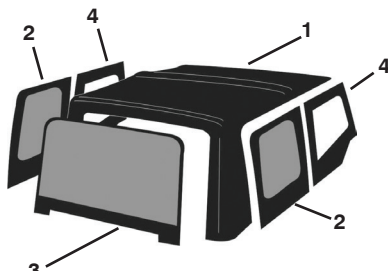


REMARQUE: L'installation du dessus par temps chaud est optimale pour faciliter l'installation. La température d'installation idéale ne doit pas être inférieure à 70 °C (21 °C). L'installation initiale est la plus difficile car le tissu n'a pas été étiré. Le haut se desserrera légèrement avec l'utilisation et la température chaude. Prévoyez environ une heure pour l'installation initiale.

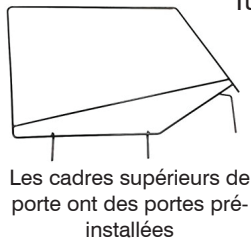
*** Veuillez suivre les instructions pour la facilité d'installation et l'ajustement correct. ***

Contenu

REMARQUE: Le produit réel peut différer de l'illustration.



1. Peau principale
2. Trimestre (gauche et droite)
3. Fenêtre arrière
4. Peau de porte (pré installée sur les cadres)
5. Ensemble d'archet et (2) Tubes de connexion



Organisateur hors-route

Matériel

Kit de rail de ceinture de baignoire
(12) Plaques à tarauder de 5/16 po
(12) Rondelles plates de 5/16 po
(12) 5/16 "Torx Boulons
(2) Goupilles de rail latérales

Kit de barre de hayon
(4) Vis à métaux Phillips # 10-24 x 1/2 "
(4) # 10-24 Nylock Nuts
(4) Rondelles plates # 10
(4) Rondelles étoiles # 10
(2) Vis à tôle n° 8 x 1 po

Canal d'en-tête
(11) Vis à tôle # 8 x 1/4 "

Montants de pare-brise
(8) Vis à tôle n° 8 x 1/2 po

Outils nécessaires



Rochet



Bits ou douilles Torx



Perceuse et forets



Lunettes de protection



Tournevis cruciforme

l'installation REMARQUE: L'application réelle peut varier légèrement des illustrations.

- 1** Enlever la capote ou le toit rigide existant.

REMARQUE: Le toit complet Rampage pour Jeep Wranglers 1988-1995 ne peut être installé que sur les véhicules à demi-portes.

- 2** Positionnez le canal du pare-brise sur le véhicule comme indiqué à la **Figure 1**.

Une fois en position, sécurisez le canal du pare-brise à l'aide des vis à tête incluses (11) - # 8 x 1/4 ".

REMARQUE: Dans certains cas, les trous du canal du pare-brise s'aligneront avec les trous existants. Dans ce cas, assurez-vous que les trous ne sont pas trop grands pour installer les nouvelles vis incluses dans l'emballage. Si les trous sont trop grands, vous devez remplacer les vis incluses par des vis plus grandes, trouvées dans n'importe quelle quincaillerie locale. Si vous remplacez un hardtop, utilisez le Windshield Channel comme gabarit pour percer des trous de 1/8 ".

Figure 1



- 3** **Installation verticale du pare-brise**

Placez le pare-brise de la porte supérieure du conducteur à la verticale et placez-le sur le côté du pare-brise. Avec la porte supérieure
Le pare-brise en position verticale marque le véhicule à travers les trous (voir la **Figure 2**).

Retirer le pare-brise de la porte supérieure et le mettre de côté. Percez avec précaution des trous de 1/8 "sur les emplacements marqués.

Repositionnez le pare-brise de la porte supérieure à la verticale et fixez-le à l'aide de la tête incluse (4) - # 8 x 1/2 ".

Vis (Voir **Figure 3**).

Répétez les étapes 3 à 5 pour le côté opposé.

Figure 2



Figure 3



l'installation

- 4** Localiser le rail de ceinture côté passager, (4) - boulons Torx de 5/16 po, (4) - Rondelles plates de 5/16 po et (4) - plaques de taraudage de 5/16 po.

Positionnez le rail latéral sur le véhicule et fixez-le à l'aide de la quincaillerie listée dans cette étape. La tôle a des trous pré-perçés de l'usine qui seront alignés avec Belt Rail. Voir les **Figures 4, 5 et 6**

Répétez cette étape pour le côté opposé.

Figure 4

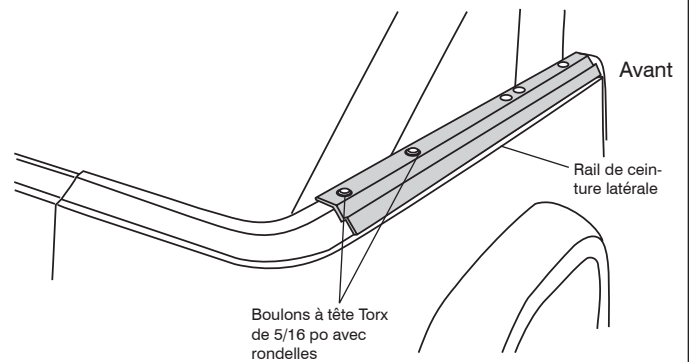


Figure 5

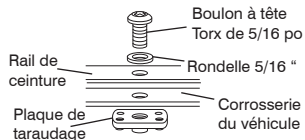
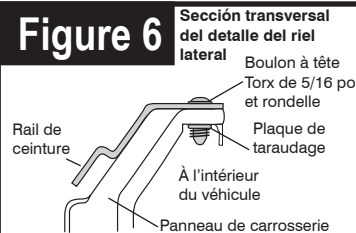


Figure 6



- 5** Localiser le rail de ceinture de coin du passager, (2) - Vis Torx de 5/16 po, (2) - Rondelles plates de 5/16 po et (2) - Plaques de taraudage.

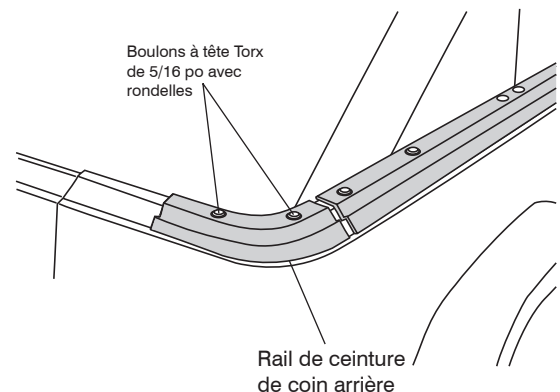
Positionnez le garde-corps de coin sur le véhicule et fixez-le en utilisant le matériel indiqué dans cette étape.

Remarque: Il peut y avoir un léger écart entre le rail de ceinture de coin et celui de ceinture latérale. C'est normal.

Voir les **Figures 5, 6 et 7**

Répétez cette étape pour le côté opposé.

Figure 7



- 6** Repérer le support du hayon du passager, (2) - Vis à métaux cruciformes n° 10-24 x 1/2 po, (2) - Rondelles de blocage étoiles n° 10, (2) - Rondelles plates n° 10 et (2) - Nylock n° 10-24 Des noisettes. Dans certains cas, les trous du support de hayon s'alignent avec les trous existants. Dans ce cas, utilisez les trous existants comme pilotes pour percer des trous de 3/16 "sur le véhicule.

Remarque: Vérifiez soigneusement sous la zone de perçage pour vous assurer de ne percer aucun câblage caché.

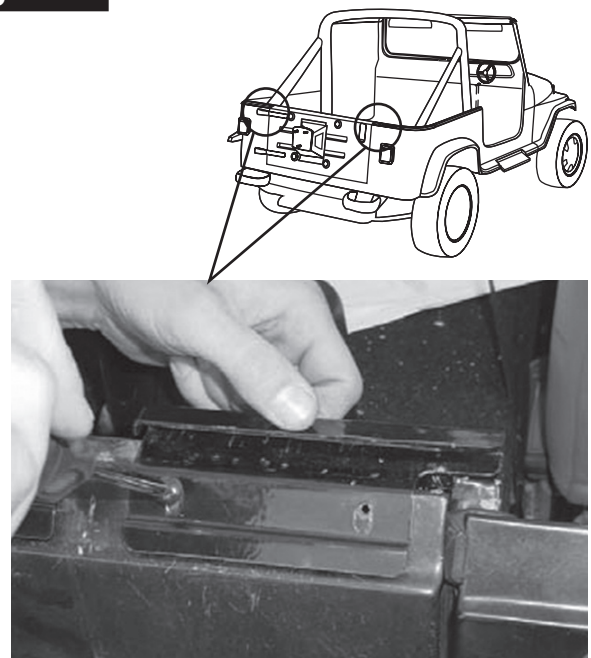
Remarque: Si vous remplacez un toit rigide, utilisez le support de hayon comme gabarit pour percer des trous de 3/16 po.

Positionnez le support du hayon et fixez-le en utilisant le matériel listé dans cette étape

Voir la **Figure 8**

Répétez cette étape pour le côté opposé.

Figure 8



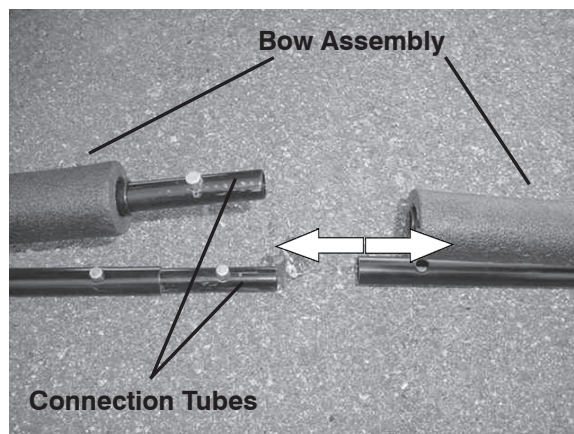
7 Posez l'ensemble d'archet sur une surface propre et identifiez l'avant et l'arrière de l'arc.

Note: L'arc avant comprendra un rembourrage en mousse, contrairement à l'arrière.

Assemblez les deux moitiés de l'ensemble d'arc en utilisant les tubes de connexion inclus avec les boutons-poussoirs. Voir la figure 9

Remarque: Il peut être utile d'utiliser un tournevis plat pour abaisser les boutons tout en faisant glisser les deux parties ensemble. En outre, il peut être utile pour deux personnes de faire glisser les deux côtés de l'archet vers l'avant simultanément.

Figure 9



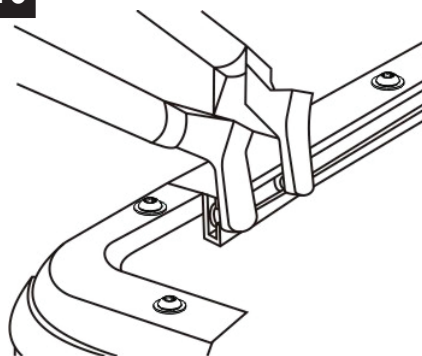
8 Une fois l'assemblage de l'archet fixé, glissez les extrémités des arceaux avant et arrière dans les rails des rails latéraux de chaque côté du véhicule.

Voir les **Figures 10 et 11**

Remarque: Faites glisser l'ensemble d'étrave de l'arrière du véhicule vers l'avant. Fixer les extrémités de l'arc en insérant la goupille du rail latéral dans le rail latéral

Voir la **Figure 11**

Figure 10



9 Dépliez le rail latéral supérieur passager vers l'avant du véhicule jusqu'à ce qu'il atteigne la goupille verticale du passager.

Insérez l'épingle du Montant en plastique dans le trou du rail latéral et verrouillez-le en glissant le clip carré sur le côté opposé. Voir les **Figures 12 et 13**

Remarque: Assurez-vous que le rail latéral supérieur est correctement fixé avant d'installer la capote. Des dommages au véhicule ou des blessures peuvent survenir s'ils ne sont pas installés correctement.

Répétez cette étape pour le côté opposé.

Figure 11

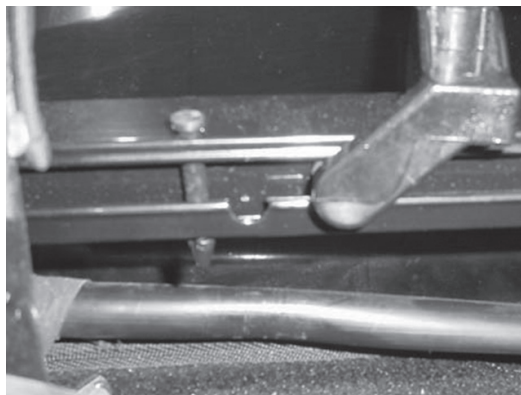


Figure 12

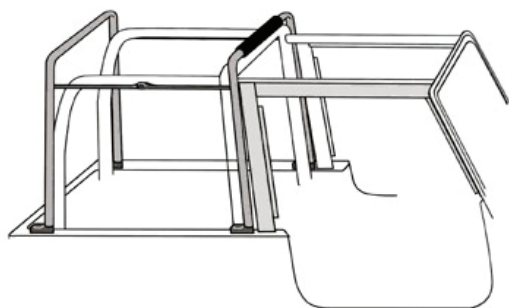
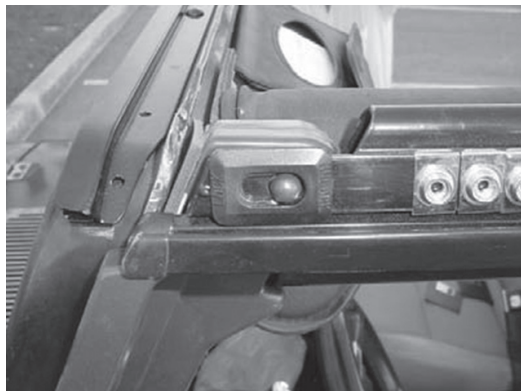


Figure 13



10

Une fois l'ensemble d'archet en place, repérez la barre d'écartement réglable.

Verrouillez-le dans la position haute / droite. Fixez-le en insérant la goupille en acier dans le trou de la barre d'écartement - la partie droite de la goupille faisant face à l'intérieur du véhicule

Voir la **Figure 14**

Figure 14**11**

Pour desserrer ou serrer votre capote, repérez le manchon ajustable sur la barre d'écartement. Retirez la goupille et la tourner pour serrer ou desserrer la capote. Réinsérez la broche après l'ajustement.

Remarque: Assurez-vous d'ajuster la barre d'écartement de manière égale des deux côtés du véhicule.

La barre réglable peut être utilisée pour garder votre tissu souple étanche par temps chaud.

Voir la **Figure 15**

Figure 15

Installation de tissu REMARQUE: L'application réelle peut varier légèrement des illustrations.

1

Poser la nouvelle peau principale sur le matériel.

Voir la **Figure 1**

Fixez les boutons-pression correspondants aux arcs du milieu et de l'arrière.

Voir la **Figure 2**

Figure 1**Figure 2**

Installation de tissu

- 2** Insérez l'avant du haut dans le canal du pare-brise. Connectez les boutons-pression aux coins de la peau principale aux coins du cadre du pare-brise.

Voir la **Figure 3**

Insérez les coins arrière de la partie supérieure dans le corset de ceinture arrière cvorner.

Voir la **Figure 4**

Figure 3



Figure 4



- 3** Tirez le bas de l'arceau de support arrière vers l'arrière jusqu'à ce qu'il s'enclenche dans l'encoche du rail de ceinture latérale. Voir la figure 5

REMARQUE: L'arc doit glisser dans l'encoche du rail de ceinture latérale.

Figure 5



- 4** Poussez les barres d'écartement jusqu'à ce qu'elles s'enclenchent. Réinsérez la goupille de verrouillage.

Voir la **Figure 6**

Figure 6



Installation de tissu

- 5** Démarrer la fermeture à glissière sur la vitre latérale d'environ 6 pouces.

Insérez la bande de plastique sur le devant de la vitre latérale dans le canal sur l'arc de soutien avant / encadrement de la porte.

Insérez la bande de plastique sur le bas de la vitre latérale dans le rail de ceinture latérale.

REMARQUE: Commencez à l'extrémité avant de la bande et travaillez le long de celle-ci jusqu'à l'autre extrémité. Fermez les fermetures à glissière horizontales et verticales sur le côté indow. Répétez cette étape pour le côté opposé.

Voir la **Figure 7**

Figure 7



Arc de soutien avant
/ contour de la porte

Rail de ceinture latérale

- 6** Installez la lunette arrière sur la peau principale en amenant les deux tirettes de fermeture à glissière à l'extrémité de la fermeture à glissière du côté du conducteur et en faisant glisser la languette du côté de la fenêtre à travers les deux. Tirez la fermeture à glissière supérieure vers le haut et de l'autre côté.

Faites glisser la barre du hayon sur le bas du volet de la lunette arrière. Centrez la barre du hayon au véhicule.

Voir la **Figure 8**

Figure 8



- 7** Tournez la barre du hayon vers le bas et vers le véhicule. Poussez la barre du hayon dans le canal de réception dans les supports montés de chaque côté de la porte arrière de la Jeep. Assurez-vous que la barre du hayon est bien fixée.

Voir la **Figure 9**

Figure 9



Installation de tissu

8 Fixez les boutons-pression sur la peau principale aux boutons-pression coulissants le long du bord supérieur de la porte.

Les boutons-pression coulissants s'ajusteront à l'emplacement approprié pour l'accrochage sur la peau principale.

Voir la **Figure 10**

Figure 10



Remplacement de peau de porte

Les remplacements de peau de porte sont conçus pour être serrés sur le cadre. Cela peut rendre l'installation difficile. L'installation est mieux faite lorsque les peaux des portes sont devenues chaudes / chaudes au toucher.

N'utilisez pas d'outils pendant l'installation pour éviter d'endommager le tissu et les coutures.

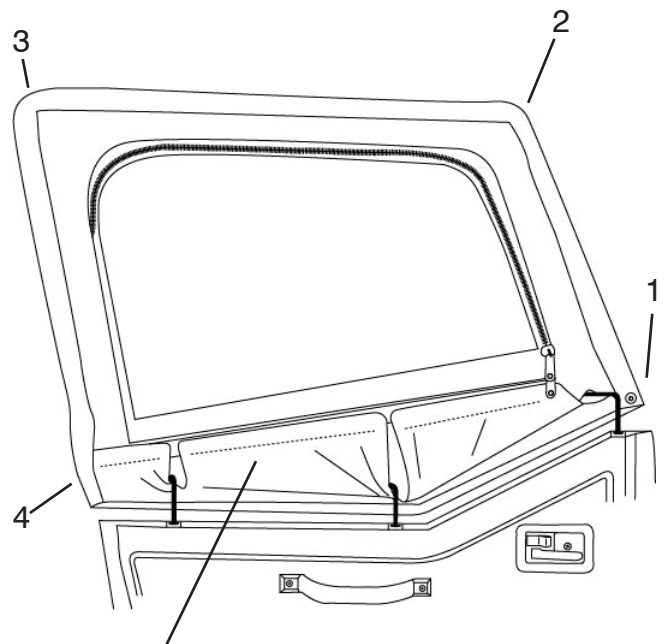
Poser la peau de la porte sur une surface plane et propre et libérer le Velcro. Décompressez la fenêtre. Insérez le coin avant dans la peau de la porte en vous déplaçant vers le coin avant / supérieur et continuez en cercle.

Tirez les rabats inférieurs vers le haut pour rencontrer le Velcro.

Voir la **Figure 10**

Réinstallez la demi-porte supérieure sur le véhicule. Connectez le bouton pression dans le coin inférieur avant à la porte. Insérez la bande de plastique le long du bas de la demi-porte supérieure sur le rail de ceinture à l'extérieur de la porte.

Figure 11



Flaps inférieurs

Entretien et nettoyage

Les dessus et les accessoires convertibles exigent un soin particulier si vous voulez obtenir le maximum d'utilisation et de plaisir de leur part. Les recommandations suivantes, si elles sont suivies attentivement, peuvent prolonger la durée de vie de votre dessus ou de votre accessoire.

Laver à la main avec un savon doux non détergent tel que l'ivoire. Utilisez un chiffon non abrasif ou une éponge. Rincez bien. Ne lavez pas à la lumière directe du soleil et évitez les lavages automatiques des voitures. Lorsque votre toit est propre, nous vous recommandons d'utiliser "Ragg Topp" ou "303 Protectant" sur le dessus et les fenêtres en vinyle. Ce produit contient un écran solaire qui aide à protéger des rayons nocifs du soleil. Éloignez-vous des produits contenant de l'alcool, car cela entraînerait une perte d'élasticité du tissu et des fenêtres, réduisant ainsi la durée de vie de votre dessus ou de votre accessoire. Si vous ne parvenez pas à trouver "RaggTopp" Veuillez appeler le 1-800-377-4700 pour un distributeur près de chez vous. Pour "303 Protectant", s'il vous plaît appelez 1-800-223-4303 pour un distributeur près de chez vous.

La lumière directe du soleil et la chaleur sont les plus grands ennemis des fenêtres. Stationnez à l'ombre chaque fois que possible. Si vous devez vous garer à la lumière du soleil, tournez la direction que vous vous garer tous les quelques jours pour que toutes les fenêtres soient bien exposées.

Nos tops sont conçus pour rouler et / ou ranger le rideau arrière et les rideaux latéraux. Pour éviter de rayer les fenêtres, assurez-vous que les fenêtres sont complètement propres et exemptes de particules de poussière. Même une petite saleté va gravement égratigner les fenêtres. Vous pouvez utiliser un chiffon doux pour enrouler ou ranger vos fenêtres. La chaleur peut s'accumuler sur les fenêtres enroulées, assurez-vous de les dérouler fréquemment. Si vous retrousser les fenêtres au début de l'été et les quitter, ils peuvent être ruinés à l'automne.

Ne pas ouvrir ou rouler les vitres à des températures inférieures à 45 degrés F, cela pourrait les fissurer ou les casser.

Zipper Care

N'utilisez PAS de pinces ou d'autres outils pour tirer sur les fermetures à glissière. Si la fermeture à glissière exige plus de force que de tirer avec les doigts, il est probable que quelque chose ne soit pas aligné ou mal installé. Assurez-vous que le dessus est à une température de 70 degrés, et que les composants sont installés correctement et dans le bon ordre pour assurer la protection de la fermeture à glissière.

Les fermetures à glissière nécessitent un nettoyage et une lubrification périodiques pour assurer la longévité et la facilité d'utilisation. Nettoyer en essuyant avec une serviette imbibée d'eau et de savon. NE PAS UTILISER DE PRODUITS CHIMIQUES DANGEREUX. Les lubrifiants à fermeture à glissière sont disponibles dans les magasins d'articles de sport et en ligne pour les combinaisons de plongée. Une utilisation occasionnelle maintiendra les glissières à glissière fonctionnant comme neuves.

Félicitations

Vous avez acheté l'un des nombreux produits de marque Rampage de qualité offerts par Lund International. Nous prenons la plus grande fierté de nos produits et voulons que vous profitiez de nombreuses années de satisfaction de votre investissement. Nous avons tout mis en œuvre pour que votre produit soit de la meilleure qualité en termes d'ajustement, de durabilité, de finition et de facilité d'installation.



800-328-2409 • Visitez-nous sur Rampageproducts.com
© 2018 Lund Motion Products, Inc. Tous droits réservés.
Rampage Products™ est une marque de Lund Motion Products, Inc.



Instrucciones de instalación

IS-68215_RevB

76-86 Jeep Wrangler CJ7
88-95 Jeep Wrangler YJ
with half doors



Completado la parte superior suave

Para una instalación adecuada y el mejor ajuste posible, lea todas las instrucciones ANTES de comenzar.
Para asistencia técnica o para obtener piezas faltantes, llame a Atención al Cliente al 1-800-328-2409.

Información de Seguridad Importante

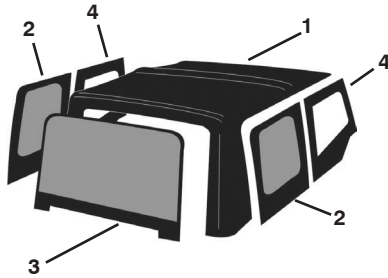


NOTA: la instalación de la parte superior en climas cálidos es óptima para facilitar la instalación. La temperatura de instalación ideal no debe ser inferior a 70° (21C). La instalación inicial es la más difícil ya que la tela no se ha estirado. La parte superior se aflojará levemente con el uso y la temperatura cálida. Permita por lo menos una hora para la instalación inicial.

*** Siga las instrucciones para facilitar la instalación y el ajuste correcto. ***

Contenido

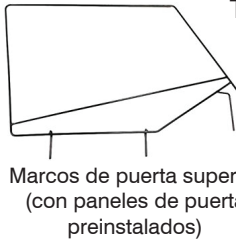
NOTA: El producto real puede variar de la ilustración.



1. Piel principal
2. Ventanas cuartas (izquierda y derecha)
3. La ventana trasera
4. Máscaras de puerta (preinstaladas en marcos)
5. Conjunto de proa y (2) Tubos de conexión



Parabrisas del parabrisas (L & R, con hardware)



Marcos de puerta superior (con paneles de puerta preinstalados)



Canal del parabrisas (con hardware)



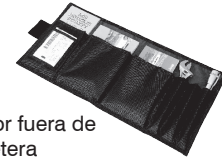
Juego de barra de compuerta trasera (con Mini-Tonneau y hardware)



Juego de barra de compuerta trasera (con Mini-Tonneau y hardware)



Bolsa de almacenamiento suave



Organizador fuera de carretera

Hardware

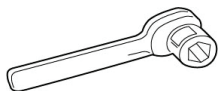
Kit de riel de correa de bañera
(12) Placas de roscar de 5/16 "
(12) arandelas planas de 5/16 "
(12) Pernos Torx de 5/16 "
(2) Pasadores laterales

Juego de barra de compuerta trasera
(4) Tornillo de máquina Phillips # 10-24 x 1/2 "
(4) tuercas Nylock # 10-24
(4) Arandelas planas # 10
(4) arandelas de estrella # 10
(2) tornillos de chapa de metal # 8 x 1 "

Canal de encabezado
(11) Tornillos de chapa de metal # 8 x 1/4 "

Paraguas del parabrisas
(8) Tornillos de chapa de metal # 8 x 1/2 "

Herramientas necesarias



Trinquete



Torx Bits o Enchufe



Perforar motor y brocas



Lentes de seguridad



Destornillador Phillips

Instalación **NOTA: la aplicación real puede variar ligeramente de las ilustraciones.**

1

Retire la parte superior suave o superior dura existente.

NOTA: La parte superior completa Rampage para Jeep Wranglers 1988-1995 solo se puede instalar en vehículos con media puerta.

2

Coloque el canal del parabrisas en el vehículo como se muestra en la **Figura 1**.

Una vez que esté en su posición, asegure el canal del parabrisas usando los tornillos de chapa incluidos (11) - # 8 x 1/4 ".

NOTA: en algunos casos, los agujeros en el canal del parabrisas se alinearán con los agujeros existentes. En este caso, asegúrese de que los agujeros no sean demasiado grandes para instalar los nuevos tornillos incluidos en el paquete. Si los agujeros son grandes, debe reemplazar los tornillos incluidos con tornillos más grandes, que se encuentran en cualquier ferretería local.

Si está reemplazando un techo rígido, use el canal del parabrisas como plantilla para perforar orificios de 1/8 ".

Figura 1



3

Instalación vertical del parabrisas

Ubique el parabrisas de la puerta superior del conductor en posición vertical y colóquelo en el costado del parabrisas. Con la puerta superior

El parabrisas en posición vertical marca el vehículo a través de los agujeros (Ver **Figura 2**).

Retire el parabrisas de la puerta superior en posición vertical y colóquelo a un lado. Perfore con cuidado orificios de 1/8 "en las ubicaciones marcadas.

Vuelva a colocar el parabrisas de la puerta superior en posición vertical y asegúrelo utilizando la chapa de metal incluida (4) - # 8 x 1/2 "

Tornillos (Ver **Figura 3**).

Repita los pasos 3-5 para el lado opuesto.

Figura 2



Figura 3



Instalación

- 4** Localice el riel del cinturón lateral del pasajero, (4) - Pernos Torx de 5/16", (4) - Arandelas planas de 5/16" y (4) - Placas de roscar de 5/16".

Coloque el riel del cinturón lateral en el vehículo y asegúrelo utilizando el hardware que se detalla en este paso. La chapa tiene orificios pretaladrados de la fábrica que se alinearán con el riel de la correa. Ver **Figura 4, 5 y 6**

Repita este paso para el lado opuesto.

Figura 4

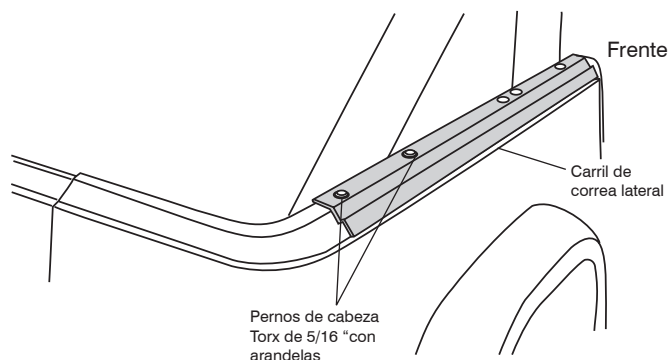


Figura 5

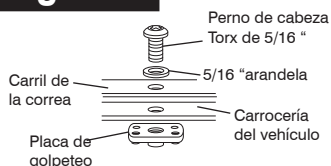


Figura 6



5

- Ubique el riel de la correa de la esquina del pasajero, (2) - Tornillos Torx de 5/16", (2) - Arandelas planas de 5/16" y (2) - Placas de roscar.

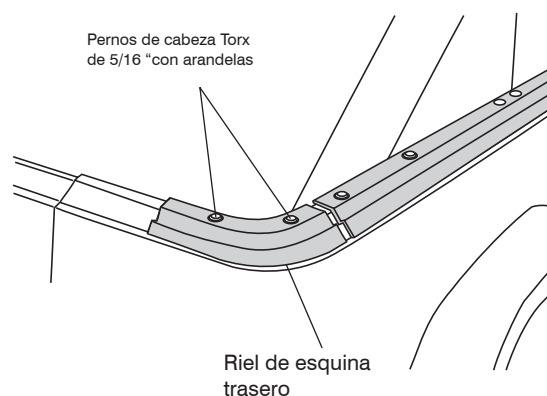
Coloque el riel de esquina de la esquina en el vehículo y asegúrelo utilizando el hardware que se detalla en este paso.

Nota: Puede haber un pequeño espacio entre la esquina y el riel del cinturón lateral. Esto es normal.

Ver la **Figura 5, 6 y 7**

Repita este paso para el lado opuesto.

Figura 7



6

- Ubique el soporte de la puerta trasera del pasajero, (2) - Tornillos de la máquina Phillips # 10-24 x 1/2", (2) - Arandelas de presión de estrella # 10, (2) - Arandelas planas # 10 y (2) - # 10-24 Nylock Nueces. En algunos casos, los orificios en el soporte de la compuerta trasera se alinearán con los agujeros existentes. En este caso, use los agujeros existentes como pilotos para perforar orificios de 3/16" en el vehículo.

Nota: Verifique cuidadosamente debajo del área de perforación para asegurarse de no perforar ningún cableado oculto.

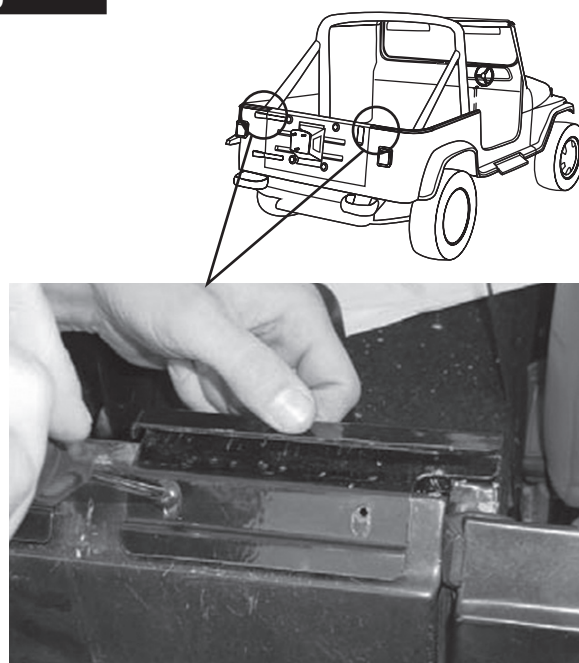
Nota: Si está reemplazando un techo rígido, use el soporte de la compuerta trasera como plantilla para perforar orificios de 3/16".

Coloque el soporte de la puerta trasera y asegúrelo utilizando el hardware enumerado en este paso

Ver la **Figura 8**

Repita este paso para el lado opuesto.

Figura 8



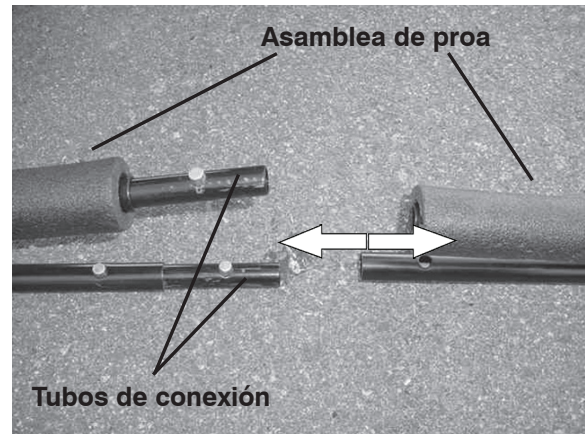
7 Coloque el conjunto de proa sobre una superficie limpia plana e identifique el arco frontal y posterior.

Nota: El arco frontal incluirá relleno de espuma, ya que la parte trasera no lo hará.

Ensamble las dos mitades del conjunto de proa utilizando los tubos de conexión incluidos con los botones. Ver la **Figura 9**

Nota: Puede ser útil usar un destornillador plano para empujar hacia abajo los botones mientras desliza las dos mitades de arco juntas. Además, puede ser útil para dos personas deslizar ambos lados de la Asamblea de proa hacia adelante simultáneamente.

Figura 9



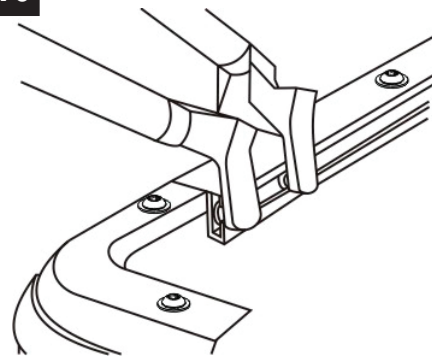
8 Con la Asamblea de proa asegurada, deslice los extremos de la parte delantera y la parte posterior de los arcos en las orugas en los rieles de la correa lateral a cada lado del vehículo

Ver la **Figura 10 y 11**

Nota: Deslice el ensamblaje del arco desde la parte trasera del vehículo hacia el frente. Asegure los extremos del arco insertando el pasador del riel lateral en el riel lateral

Ver la **Figura 11**

Figura 10



9 Despliegue el riel lateral superior del pasajero hacia la parte delantera del vehículo hasta que llegue al pasador vertical del pasajero.

Inserte el pasador de plástico vertical a través del orificio del riel lateral y asegúrelo en su lugar deslizando el gancho cuadrado hacia el lado opuesto. Vea la **Figura 12 y 13**.

Nota: Asegúrese de que el riel lateral superior esté correctamente asegurado antes de instalar la cubierta suave. Daños al vehículo o lesiones personales pueden ocurrir si no se instalan correctamente.

Repita este paso para el lado opuesto.

Figura 11

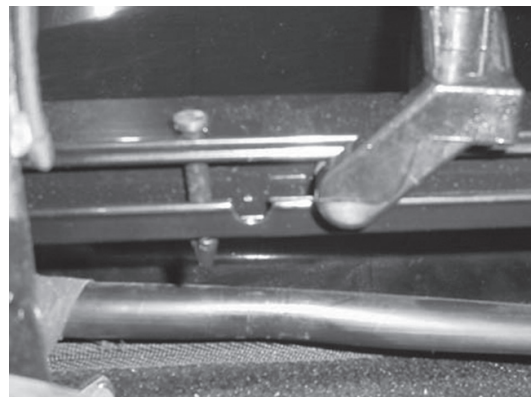


Figura 12

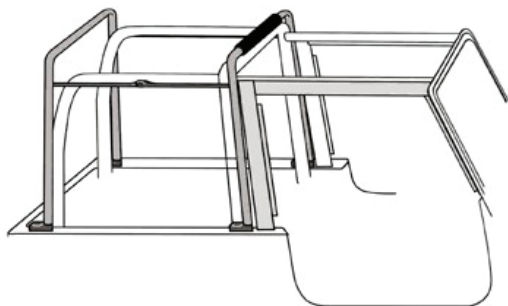
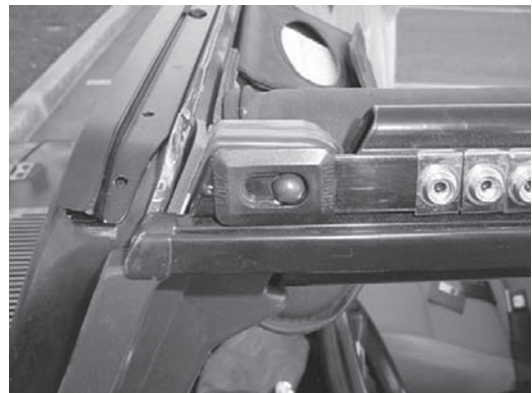


Figura 13



10

Con el conjunto de proa en su posición, ubique la barra de extensión ajustable.

Bloquéelo en la posición arriba / recta. Asegúrelo insertando el pasador de acero a través del orificio de la barra del esparcidor, la parte del pasador recto hacia el interior del vehículo

Ver la **Figura 14**

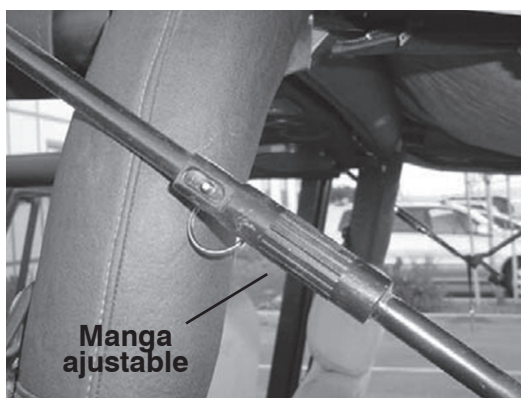
Figura 14**11**

Para aflojar o apretar la parte superior suave, ubique la manga ajustable en la barra separadora. Retire el pasador y la tuerca para ajustar o aflojar la parte superior suave. Reinserte el pasador después de realizar el ajuste.

Nota: asegúrese de ajustar la barra separadora en ambos lados del vehículo.

La barra ajustable se puede usar para mantener la tela suave de la parte superior ajustada cuando hace calor.

Ver la **Figura 15**

Figura 15**Instalación de tela**

NOTA: la aplicación real puede variar ligeramente de las ilustraciones.

1

Coloque la nueva máscara principal sobre el hardware.

Ver la **Figura 1**

Coloque los broches de presión correspondientes en los arcos central y trasero.

Ver la **Figura 2**

Figura 1**Figura 2**

Instalación de tela

- 2** Inserta la parte delantera de la parte superior en el canal del parabrisas. Conecte broches en las esquinas de la piel principal a las esquinas del marco del parabrisas.

Ver la **Figura 3**

Inserte las esquinas traseras de la parte superior en el riel de la correa del cárter trasero.

Ver la **Figura 4**

Figura 3



Figura 4



- 3** Tire de la parte inferior del arco de soporte trasero hacia atrás hasta que encaje en la muesca en el riel del cinturón lateral. Ver la **Figura 5**

NOTA: El arco debe deslizarse en la muesca en el riel del cinturón lateral.

Figura 5



- 4** Empuje las barras del esparcidor hacia arriba hasta que encajen en su lugar. Reinserte el pasador de seguridad.

Ver la **Figura 6**

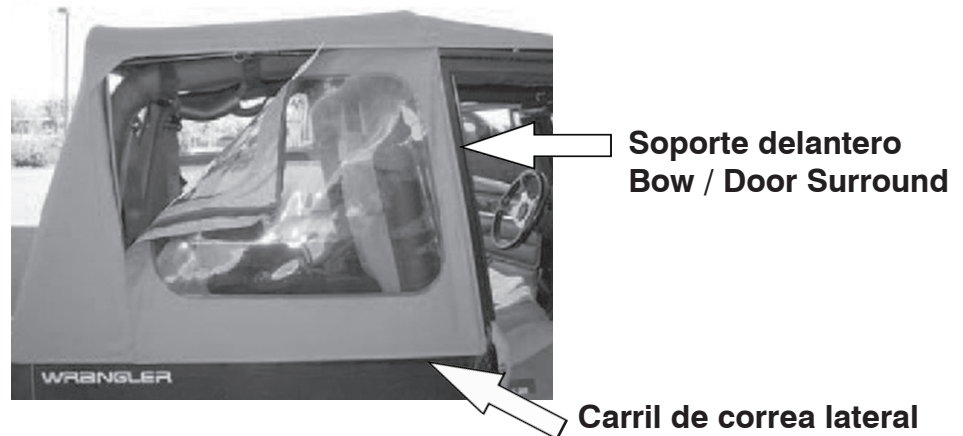
Figura 6



Instalación de tela

- 5** Comience la cremallera en la ventana lateral aproximadamente 6 pulgadas.
- Inserte la tira de plástico en la parte frontal de la ventana lateral en el canal en el borde del arco de soporte delantero / puerta.
- Inserte la tira de plástico en la parte inferior de la ventana lateral en el riel lateral del cinturón.
- NOTA:** Comience en el extremo delantero de la tira y trabaje a lo largo del mismo hasta el otro extremo. Cierre las cremalleras horizontales y verticales en la parte lateral. Repita este paso para el lado opuesto.
- Ver la **Figura 7**

Figura 7



- 6** Instale la ventana trasera en la piel principal colocando ambos tiradores de la cremallera al extremo de la cremallera en el lado del conductor y deslizando la pestaña en el lado de la ventana a través de ambos. Tire de la cremallera superior hacia arriba y hacia el lado opuesto.

Deslice la barra de la compuerta trasera sobre la parte inferior de la aleta de la ventana trasera. Centre la barra de la compuerta trasera hacia el vehículo.

Ver la **Figura 8**

Figura 8



- 7** Gire la barra de la compuerta trasera hacia abajo y hacia el vehículo. Empuje la barra de la compuerta trasera hacia el canal de recepción en los soportes montados a cada lado de la puerta trasera del Jeep. Asegúrese de que la barra Tailgate esté segura.

Ver la **Figura 9**

Figura 9



Instalación de tela

8

Ajuste los broches de presión en la piel principal a los broches deslizantes a lo largo de la parte superior de los bordes de la puerta.

Los broches deslizantes se ajustarán a la ubicación adecuada para el encaje en la piel principal.

Ver la **Figura 10**

Figura 10



Reemplazo de piel de la puerta

Los reemplazos de piel de las puertas están diseñados para ser ajustados en el marco. Esto puede dificultar la instalación. La instalación se realiza mejor cuando las fundas de las puertas se han calentado / caliente al tacto.

No use herramientas durante la instalación para evitar dañar la tela y las costuras.

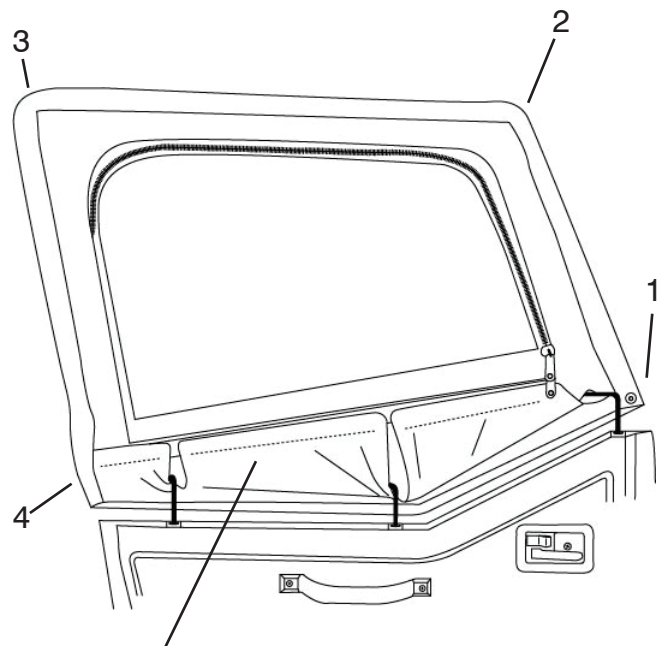
Coloque la piel de la puerta sobre una superficie limpia y plana y suelte el Velcro. Descomprime la ventana. Inserta la esquina frontal en la piel de la puerta moviéndose hacia la esquina frontal / superior y continúa en un círculo.

Levante las solapas inferiores para cumplir con Velcro.

Ver la **Figura 10**

Vuelva a instalar la mitad superior de la puerta del vehículo. Conecte el broche en la esquina inferior delantera a la puerta. Inserte la tira de plástico a lo largo de la parte inferior de la mitad de la puerta hacia el riel de la correa en el exterior de la puerta.

Figura 11



Flaps inferiores

Cuidado y Limpieza

Las tapas y accesorios convertibles requieren cuidados especiales si desea obtener el máximo uso y disfrute de ellos. Las siguientes recomendaciones, si se siguen con cuidado, pueden extender la vida útil de su parte superior o accesorio.

Lave a mano usando un jabón suave no detergente como el marfil. Use un paño o una esponja no abrasivos. Enjuague bien. No se lave con la luz solar directa y evite el lavado automático de automóviles. Cuando su parte superior esté limpia, recomendamos usar "Ragg Topp" o "303 Protectant" tanto en la parte superior del vinilo como en las ventanas. Este producto contiene un protector solar que ayuda a protegerse de los rayos dañinos del sol. Aléjese de los productos que contienen alcohol, ya que hará que la tela y las ventanas pierdan su elasticidad, reduciendo así la vida de su parte superior o accesorio. Si no puede encontrar "RaggTopp", llame al 1-800-377-4700 para obtener un distribuidor cerca de usted. Para "303 Protectant", llame al 1-800-223-4303 para un distribuidor cerca de usted.

La luz solar directa y el calor son los mayores enemigos de las ventanas. Estacione a la sombra siempre que sea posible. Si debe estacionarse a la luz del sol, gire la dirección en la que se estaciona cada pocos días para que todas las ventanas se expongan uniformemente.

Nuestras partes superiores están diseñadas para que pueda enrollar y / o almacenar la cortina trasera y las cortinas laterales. Para evitar rayar las ventanas, asegúrese de que las ventanas estén completamente limpias y sin partículas de polvo. Incluso un poco de suciedad rayará las ventanas. Es posible que desee utilizar un paño suave al enrollar o almacenar sus ventanas. Puede acumularse calor en las ventanas enrolladas, así que asegúrese de desenrollarlas con frecuencia. Si enrollas las ventanas al principio del verano y las dejas, se pueden arruinar al caer.

No abra ni enrolle las ventanas a temperaturas inferiores a 45 grados F, ya que podrían romperse o romperse.

Cuidado de cremallera

NO use alicates u otras herramientas para tirar de las cremalleras. Si la cremallera requiere más fuerza que tirar con los dedos, es muy probable que algo esté desalineado o mal instalado. Asegúrese de que la parte superior esté a una temperatura de hasta 70 grados, y que los componentes estén instalados correctamente y en la secuencia correcta para garantizar la protección de la cremallera.

Las cremalleras requieren limpieza y lubricación periódica para garantizar la longevidad y la facilidad de uso. Limpie frotando con una toalla empapada en agua y jabón, NO UTILICE SUSTANCIAS QUÍMICAS PELIGROSAS. Los lubricantes con cremallera están disponibles en tiendas de artículos deportivos y en línea para trajes de neopreno. Un uso ocasional mantendrá las diapositivas de cremallera operando como nuevas.

¡Felicitaciones

Usted ha comprado uno de los muchos productos de calidad Rampage ofrecidos por Lund International. Nos enorgullecemos de nuestros productos y queremos que disfrute años de satisfacción de su inversión. Hemos hecho todos los esfuerzos posibles para garantizar que su producto sea de alta calidad en términos de ajuste, durabilidad, acabado y facilidad de instalación.



El material del que está hecho su producto puede reciclarse. Considere también el embalaje en el que entró su producto.



800-328-2409 • Visítanos en Rampageproducts.com

© 2018 Lund Motion Products, Inc. Todos los derechos reservados.

Rampage Products™ es una marca registrada de Lund Motion Products, Inc.

