



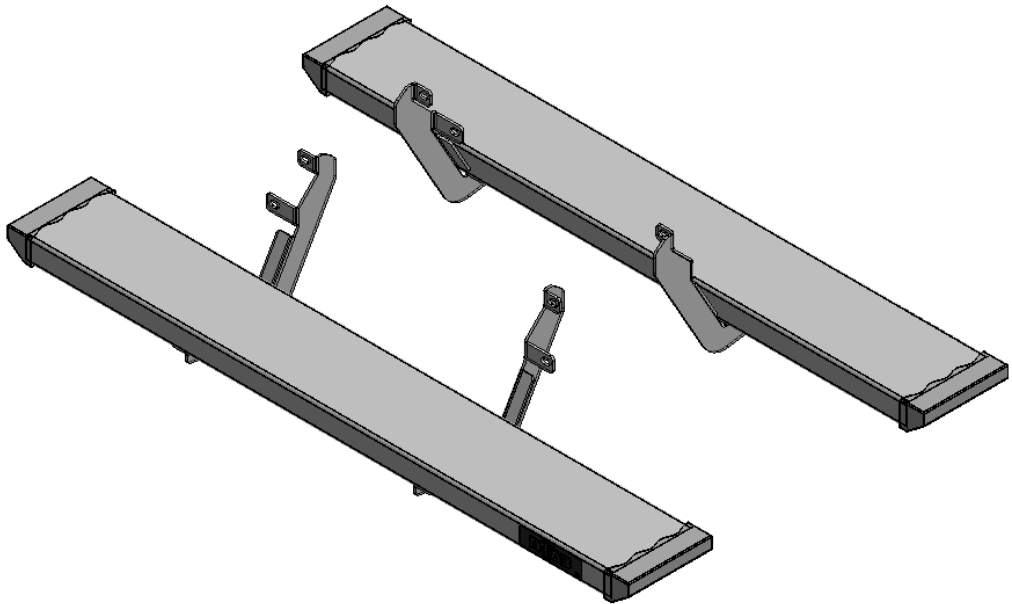
I-SHEET NUMBER: INST-00045
 PART NUMBER: GFF15-RCTX
 PRODUCT: **Growler Running Board**
 APPLICATION: **2015-18 F-150**
2017-18 F-250, F-350

HARDWARE DESCRIPTION		QTY.
HWKT-05694X		
FLHB-00688	3/8"-16 X 1" GR. 5 HEX SERRATED FLANGE BOLT	8
FLNT-00696	M8-1.25 CLASS 8 SERRATED FLANGE NUT	8

PARTS INCLUDED	QTY
Running Boards	2
Rocker Panel mounting Brackets	4
Threaded clamp plates	4



GROWLER

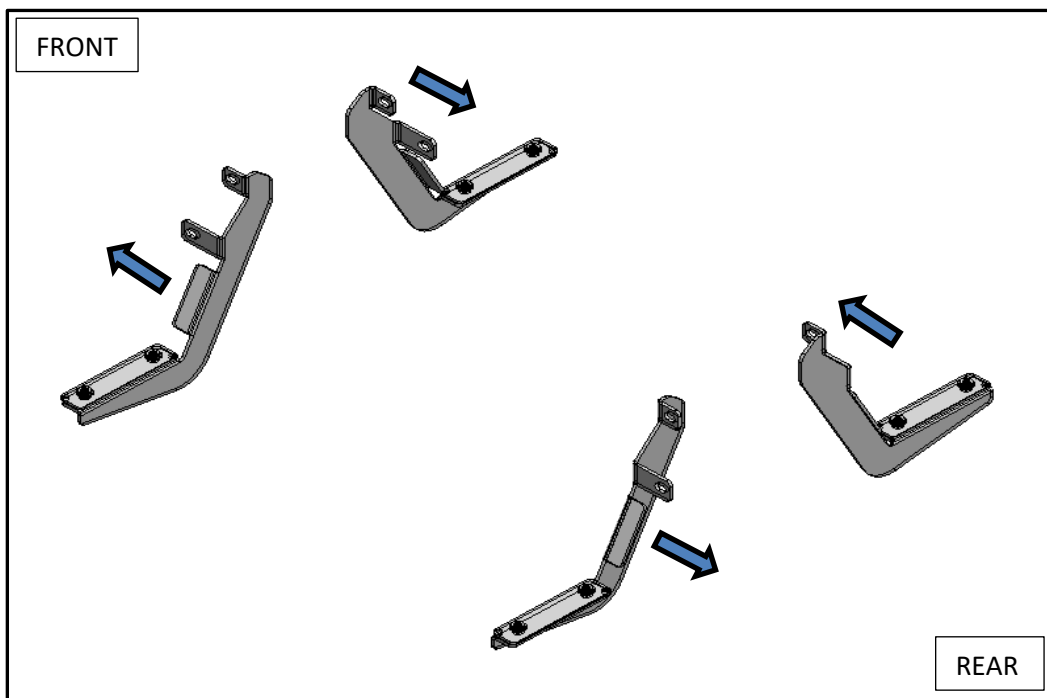


Step 1: Starting with the Driver Side. Remove all 8mm flange nuts from the 8mm factory threaded studs to remove the OE running boards. Repeat for passenger side.



Step 2: Install two of the supplied frame brackets (both sides) to the factory stud locations and hand tighten using the supplied 8mm nuts.

*** BRACKET ORINTATION ***



Step 3: Set running board along the top of the two brackets and center along the cab.



Step 4: Insert the supplied threaded brackets (X2) inside the running board lip over the top of each bracket.

Step 5: With the supplied 3/8" x 1" hex bolts, secure each mounting location and leave loose.

Step 6: After final adjustment, tighten all running board threaded mounts.

Step 7: Next, adjust frame brackets so the running board is level with body of the vehicle and tighten all factory-mounting locations.



Step 8: Repeat steps 2-7 for passenger side. Your install is now complete.