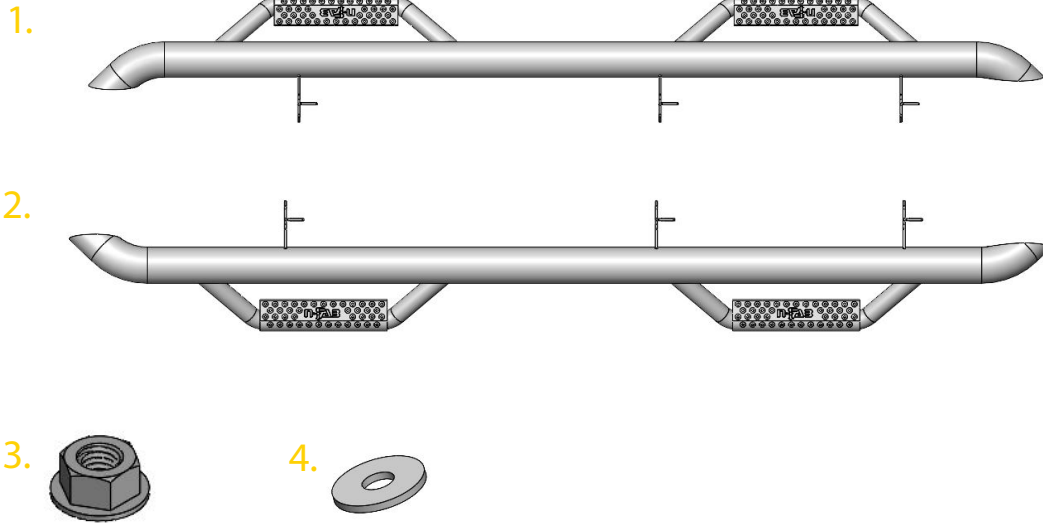


Components and Hardware: HWKT-00031X



Components and Hardware:

1. Driver side step.....(1)
2. Passenger side step.....(1)
3. M8 Flanged hexnut.....(12)
4. M8 flat washer.....(12)

Tools for Installation:

- 13mm socket
- Ratchet wrench

INSTALL

Step 1. Remove any OE step/running boards from the vehicle and discard.

Step 2. Clean any undercoating or debris from the threaded studs.



Step 3. Next, place (#1) Driver side step on the studs and secure with supplied (#3,#4) M8 flanged hex nut and M8 flat washer and loosely tighten for now.

(NOTE: Slide step forward until bracket makes contact with threaded stud.)

Step 4. After final adjustment fully tighten (x3) brackets to the factory body mounts to (15-20 ft/lbs torque).

Step 5. Repeat process with passenger side step.

