



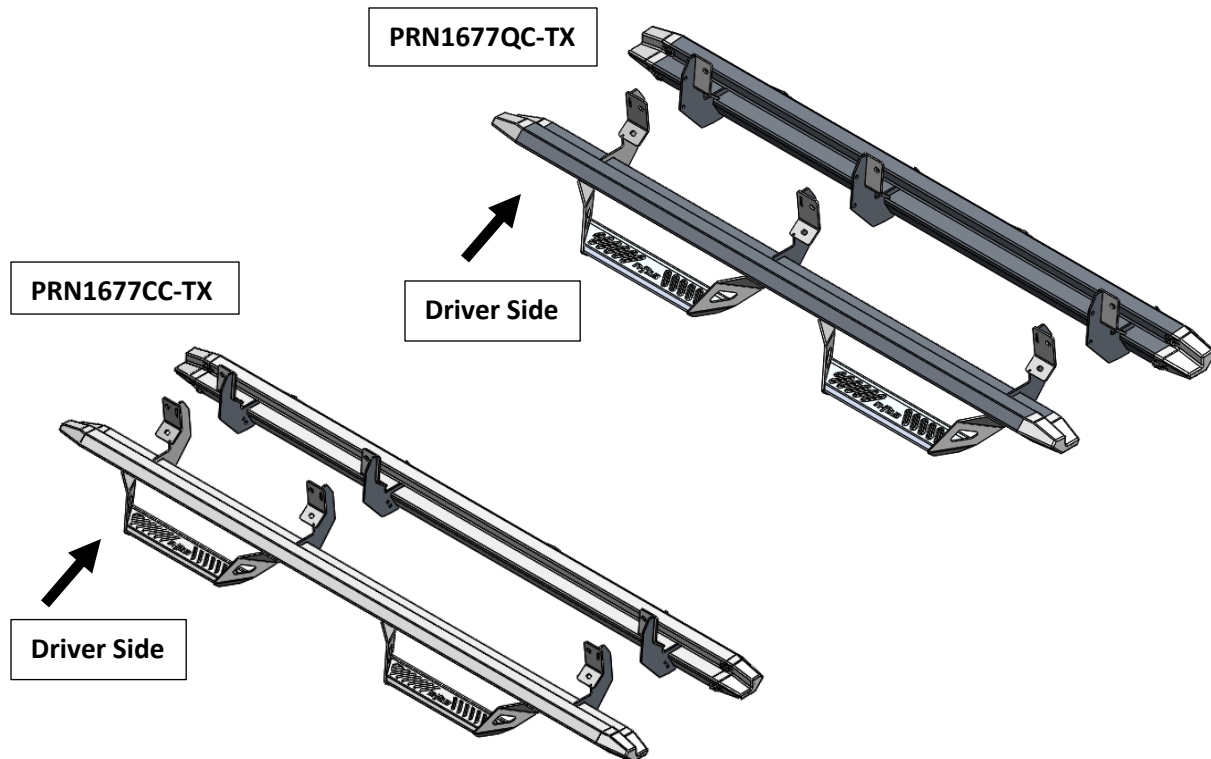
I-SHEET #: INST-00035  
 PART NUMBER: PRN1677CC-TX, PRN1663QC-TX  
 PRODUCT: Aluminum Hoop Step  
 APPLICATION: 16-18 Titan/Titan XD Crew Cab,  
 King Cab

# PREDATOR PRO

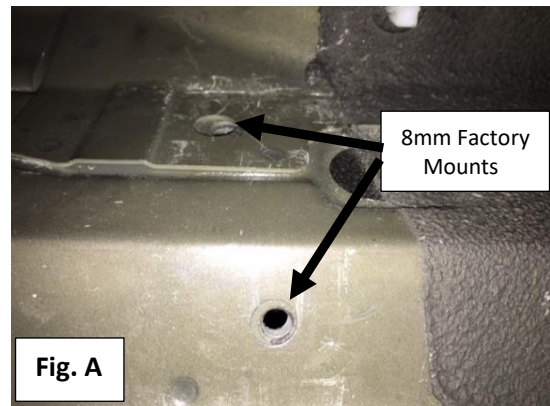


HARDWARE DESCRIPTION	QTY.
HWKT-03054X	1
M8X30mm FLANGE CAP SCREW W/WASHER	12

**Step 1.** Identify the Driver and Passenger side Step Rail.



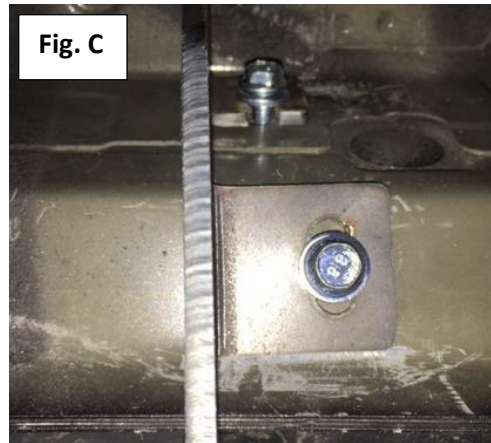
**Step 1:** Remove factory-running bards if equipped and discard. You will see the 8mm threaded mounts in the body (**Fig.A**)



**Step 2:** Starting with the driver's side, lift step up into position aligning the step bracket with the 8mm OE mounts. (**Fig. B**)



**Step 3:** Install using the supplied M8x30mm Hex bolt and hand tighten at this time. **(Fig. C)**



**Step 4:** After final adjustment, tighten all hardware starting with the three lower bolts and then finish with the upper bolts. **(Fig. D)**



**Step 5:** Repeat steps 3-4 with the passenger side. **NOTE: Periodically check all hardware for tightness to insure longevity and safety of your steps.**