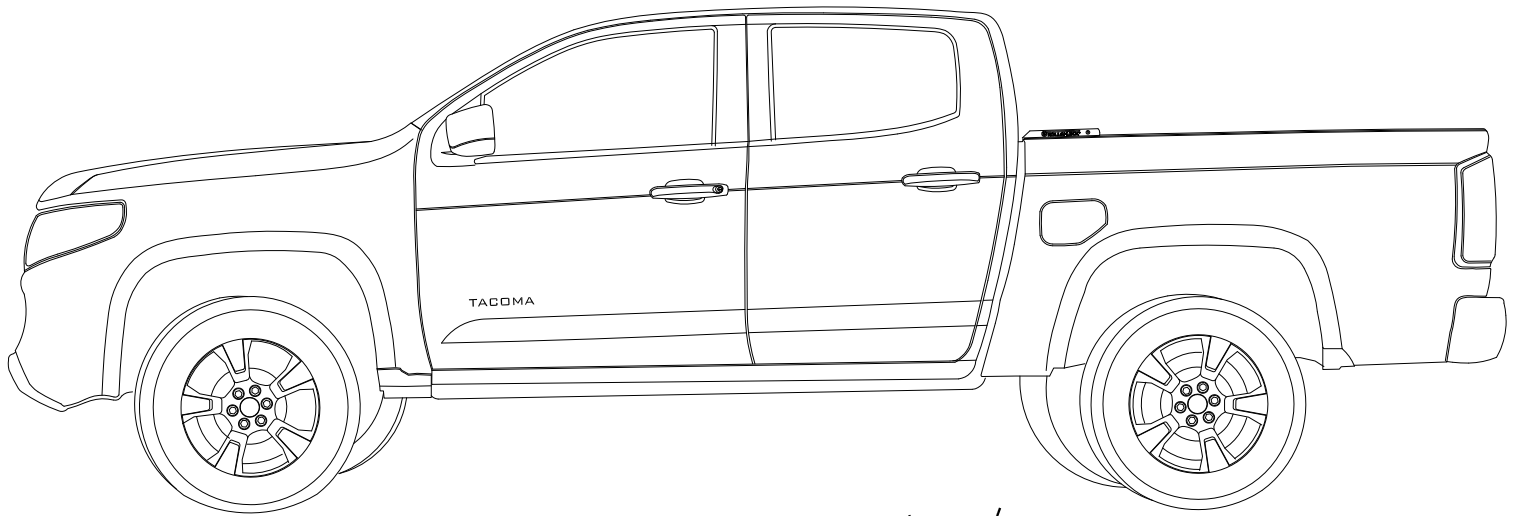




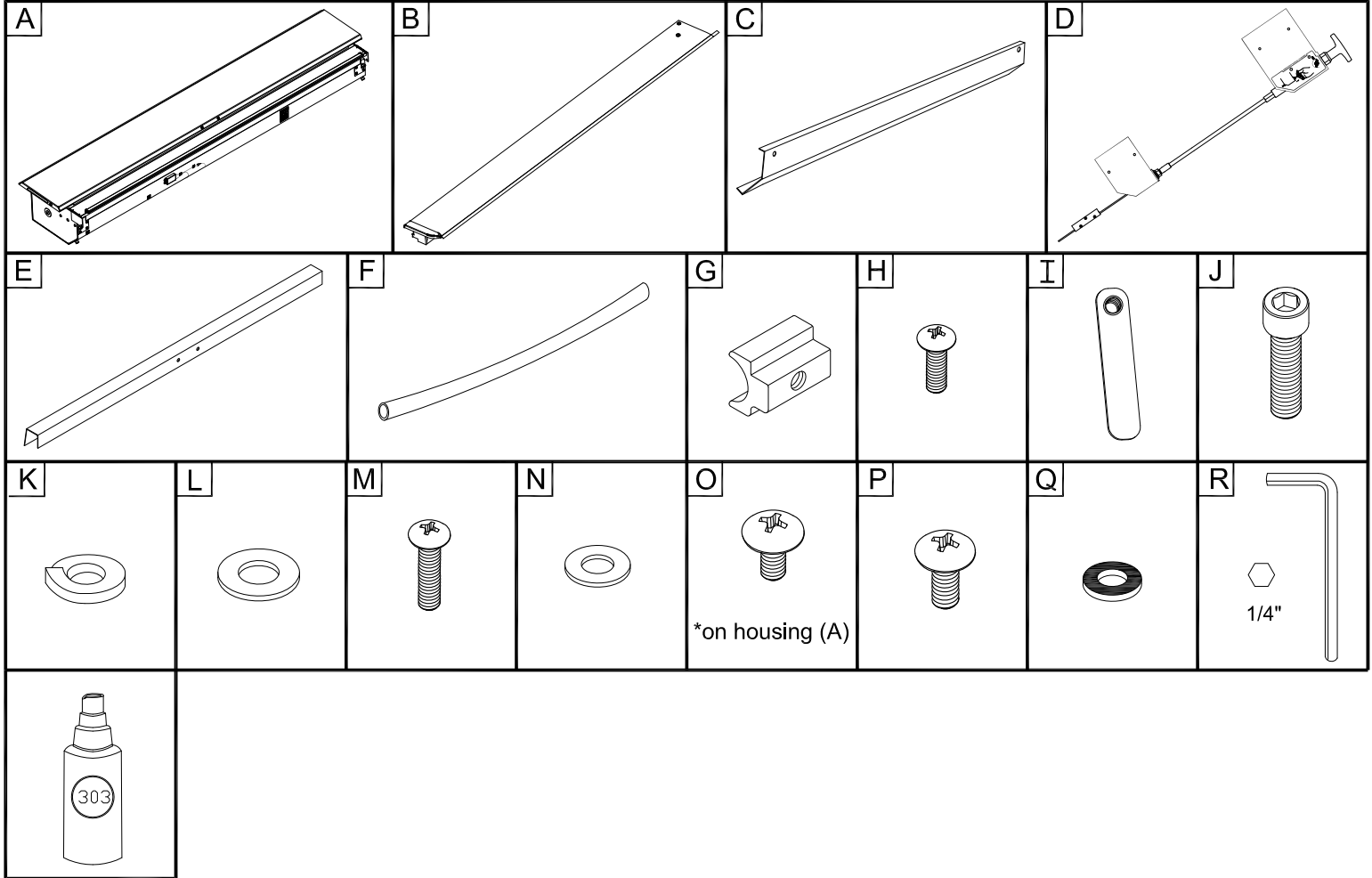
E Series Installation Guide 2016 Toyota Tacoma



Product Code:
RC530E - RC531E

Parts List

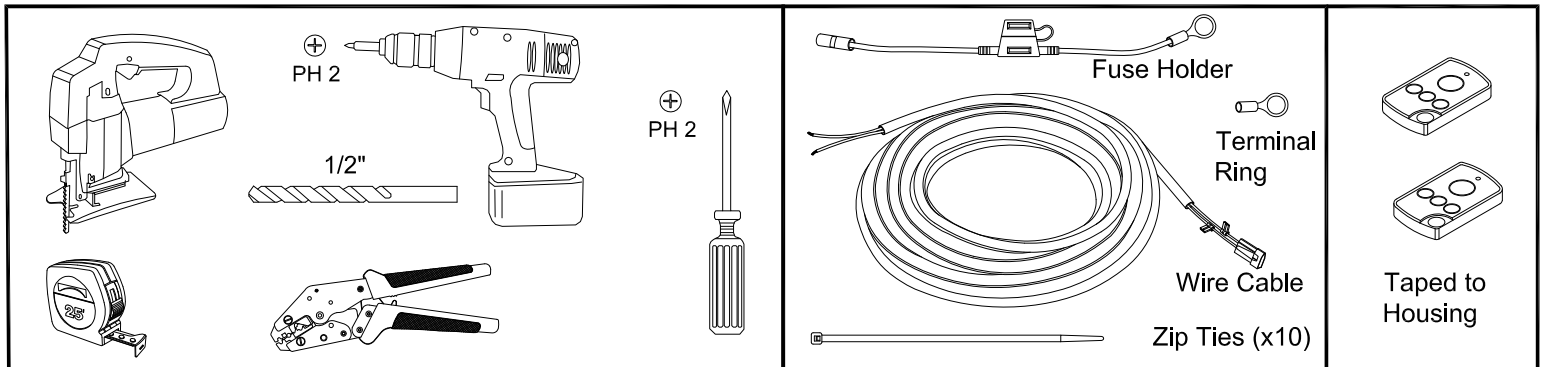
Item	Part Name	Qty.	Item	Part Name	Qty.	Item	Part Name	Qty.
A	Housing	1	G	Threaded Tang	6	M	M6 x 25mm Bolt	2
B	Track	2	H	#10-24 Screw	6	N	M6 Flat Washer	2
C	Cargo Shield	1	I	Cargo Nut	6	O	1/4" Lid Screw	2
D	Override Cable	1	J	5/16" x 1" Cap Screw	6	P	1/4-20 x 3/8" Screw	4
E	Track Flange	2	K	5/16" Lock Washer	6	Q	Rubber Washer	4
F	Drain Tube	2	L	5/16" Flat Washer	6	R	Allen Wrench (1/4")	1
							303 Vinyl Protector	1



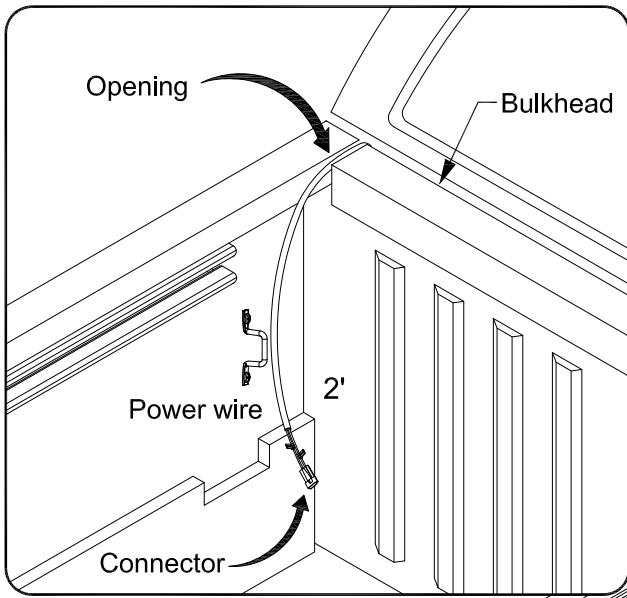
Tools Needed

Power Wire / Connectors

Remotes

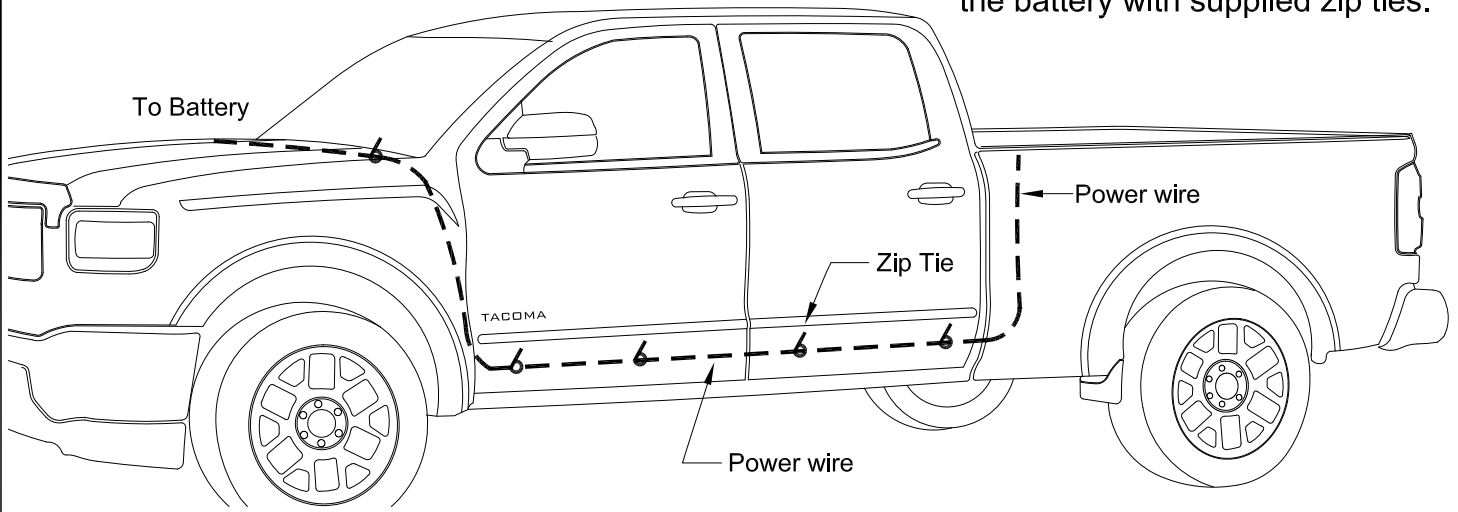


1



Feed power wire between truck bed bulkhead and driver side rail cap, feed down to the ground. Leave 2 feet of power wire in the truck bed.

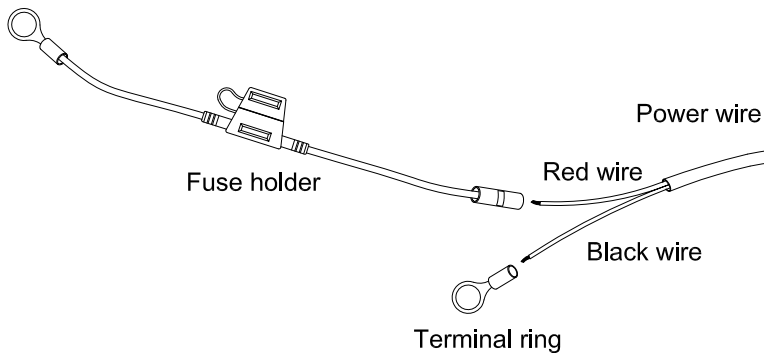
2



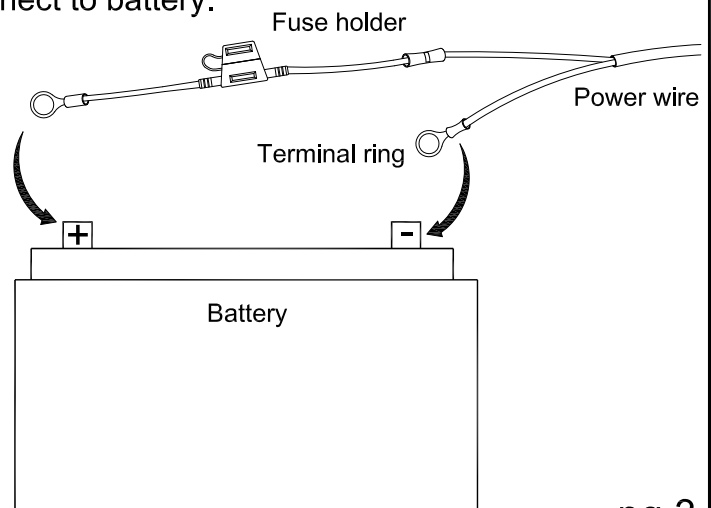
Feed power wire under the truck securing to an existing wire harness leading to the battery with supplied zip ties.

3

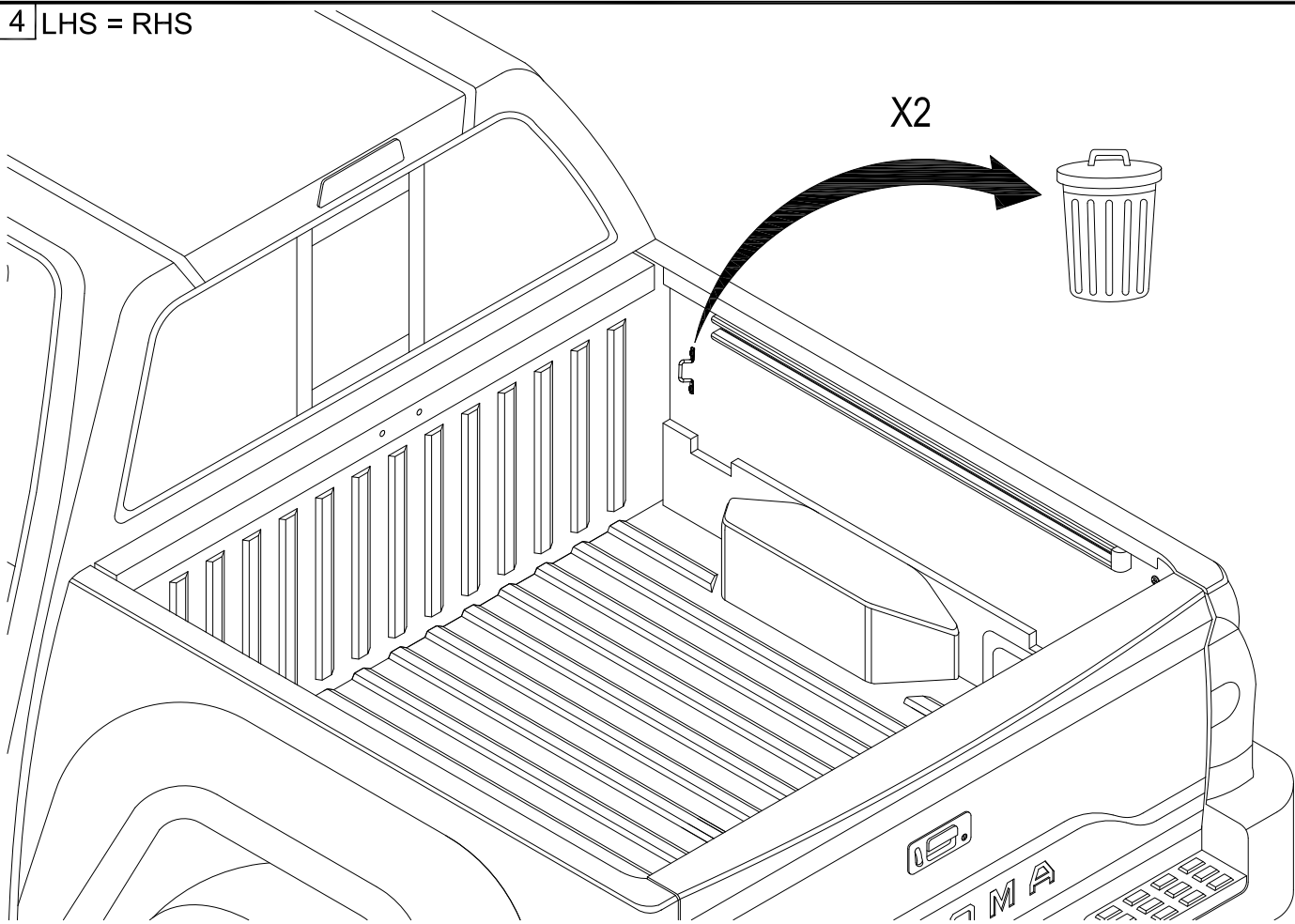
Crimp the fuse holder to the RED wire and the terminal ring to the Black wire.



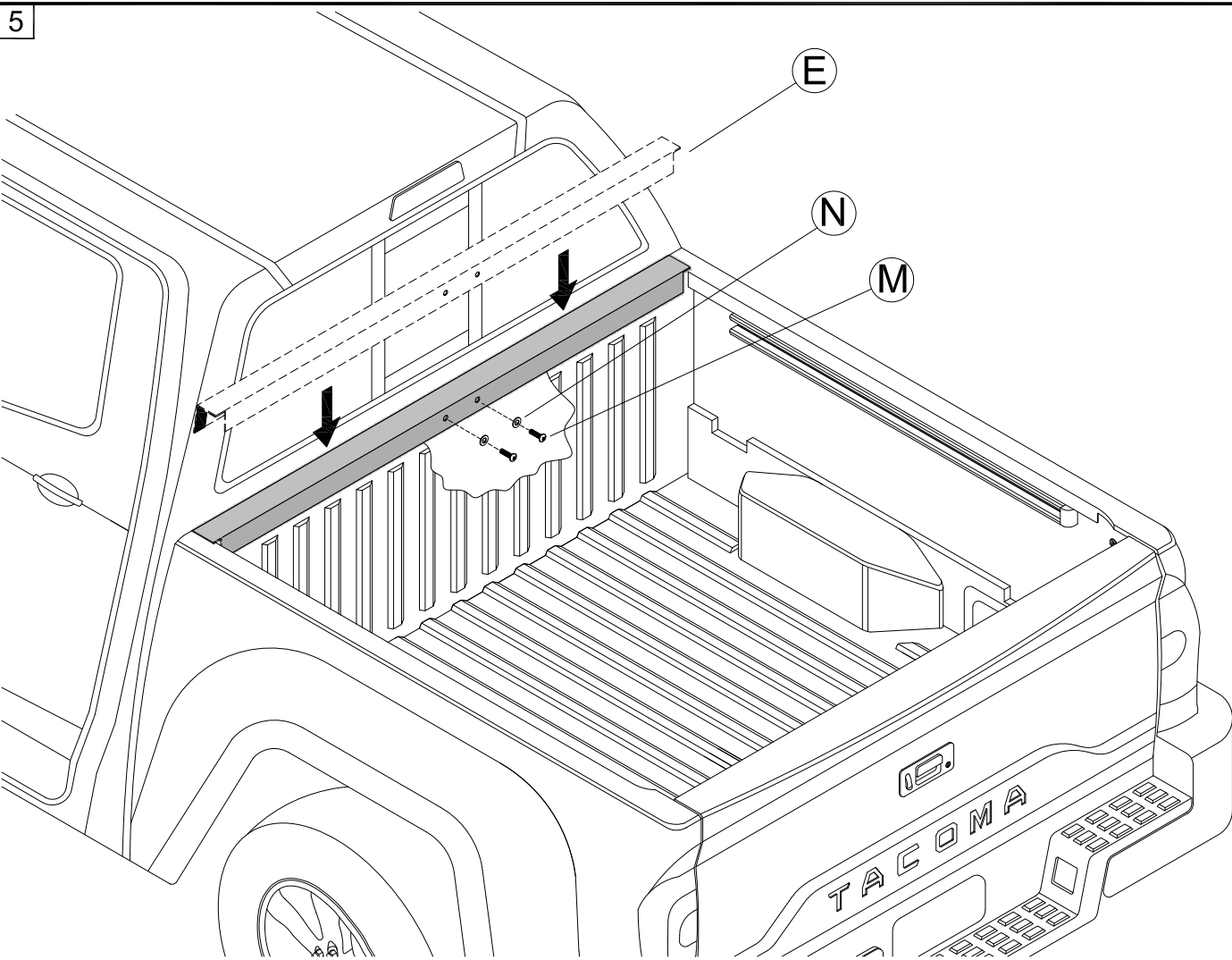
Connect to battery.



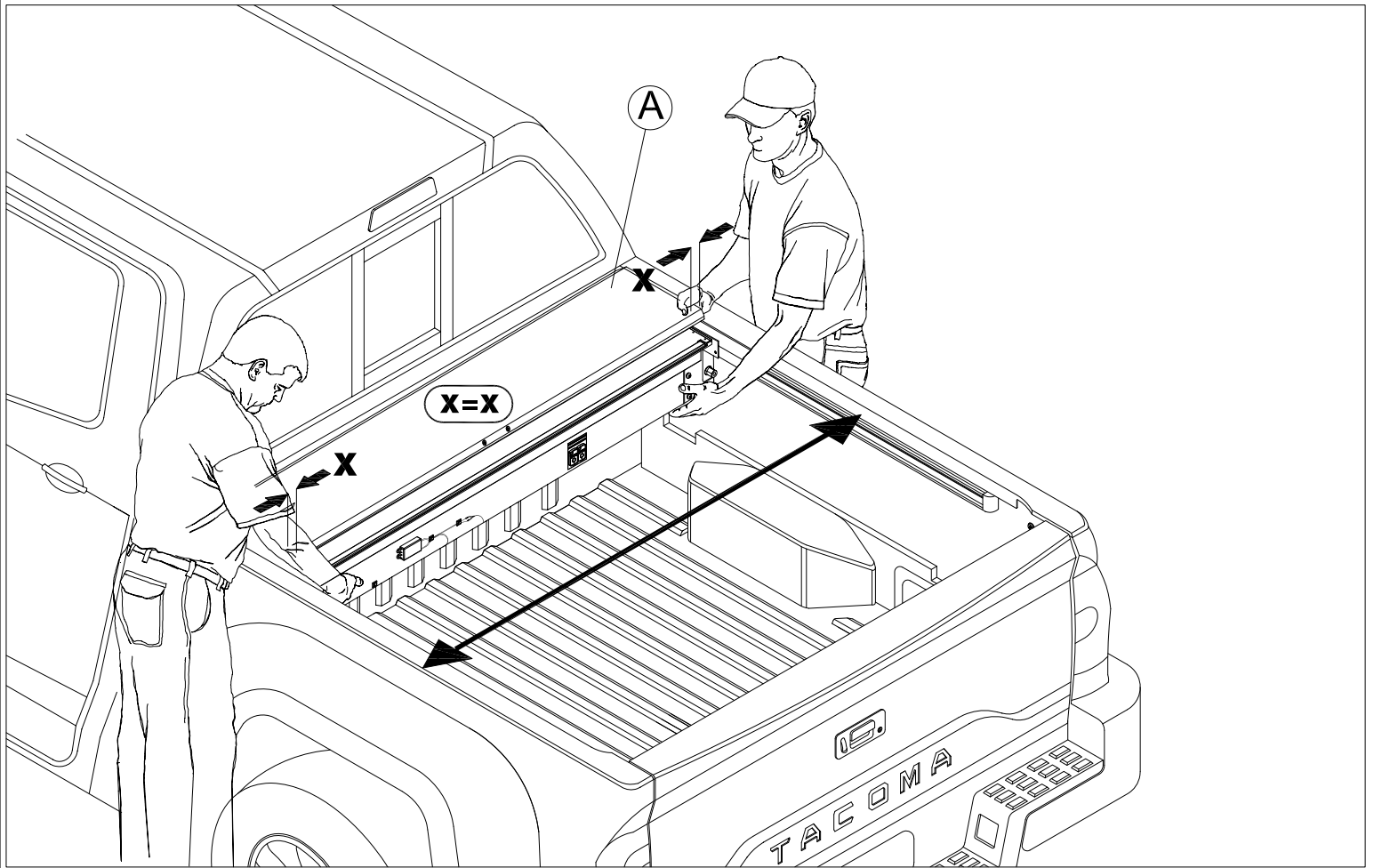
4 LHS = RHS



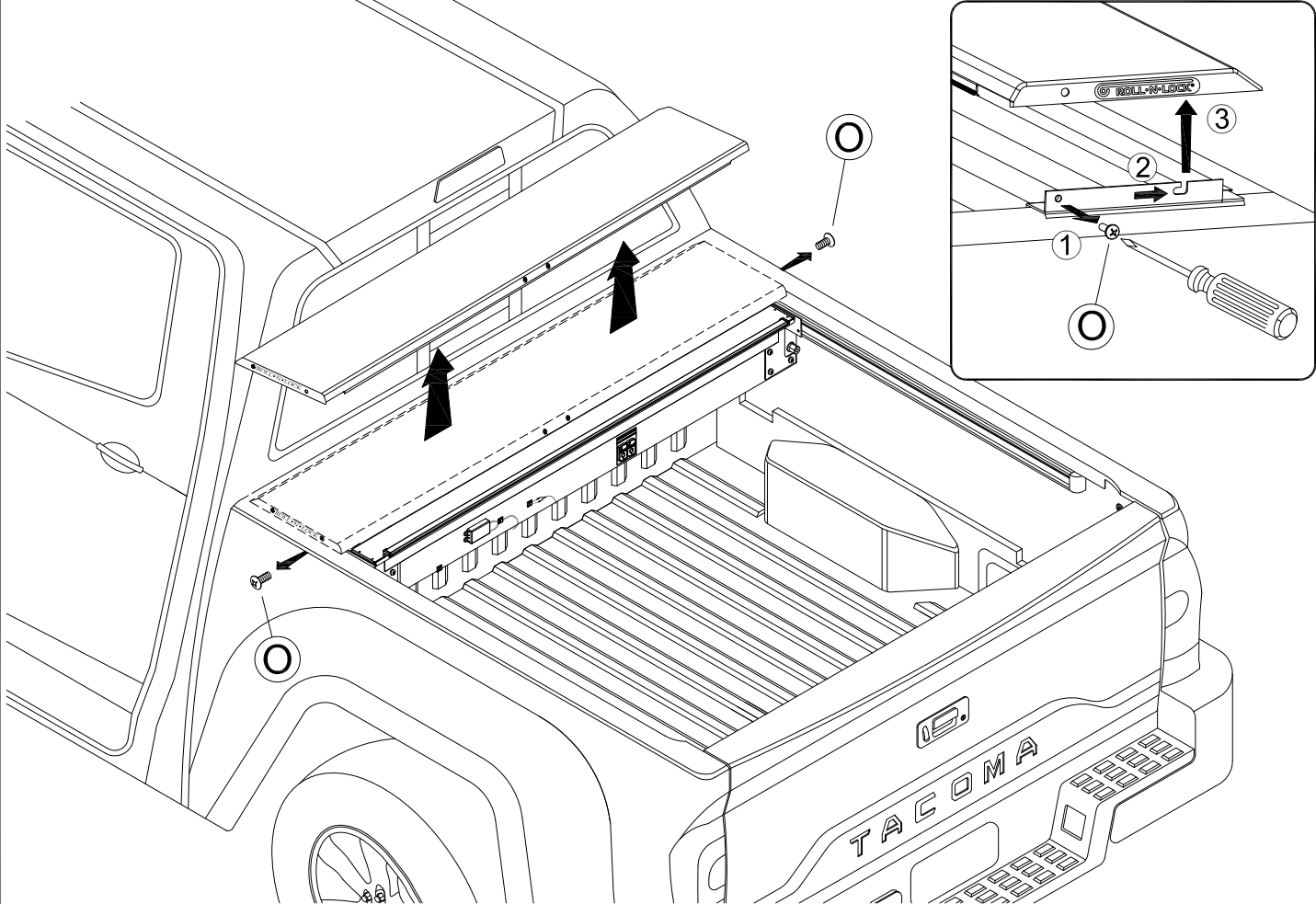
5



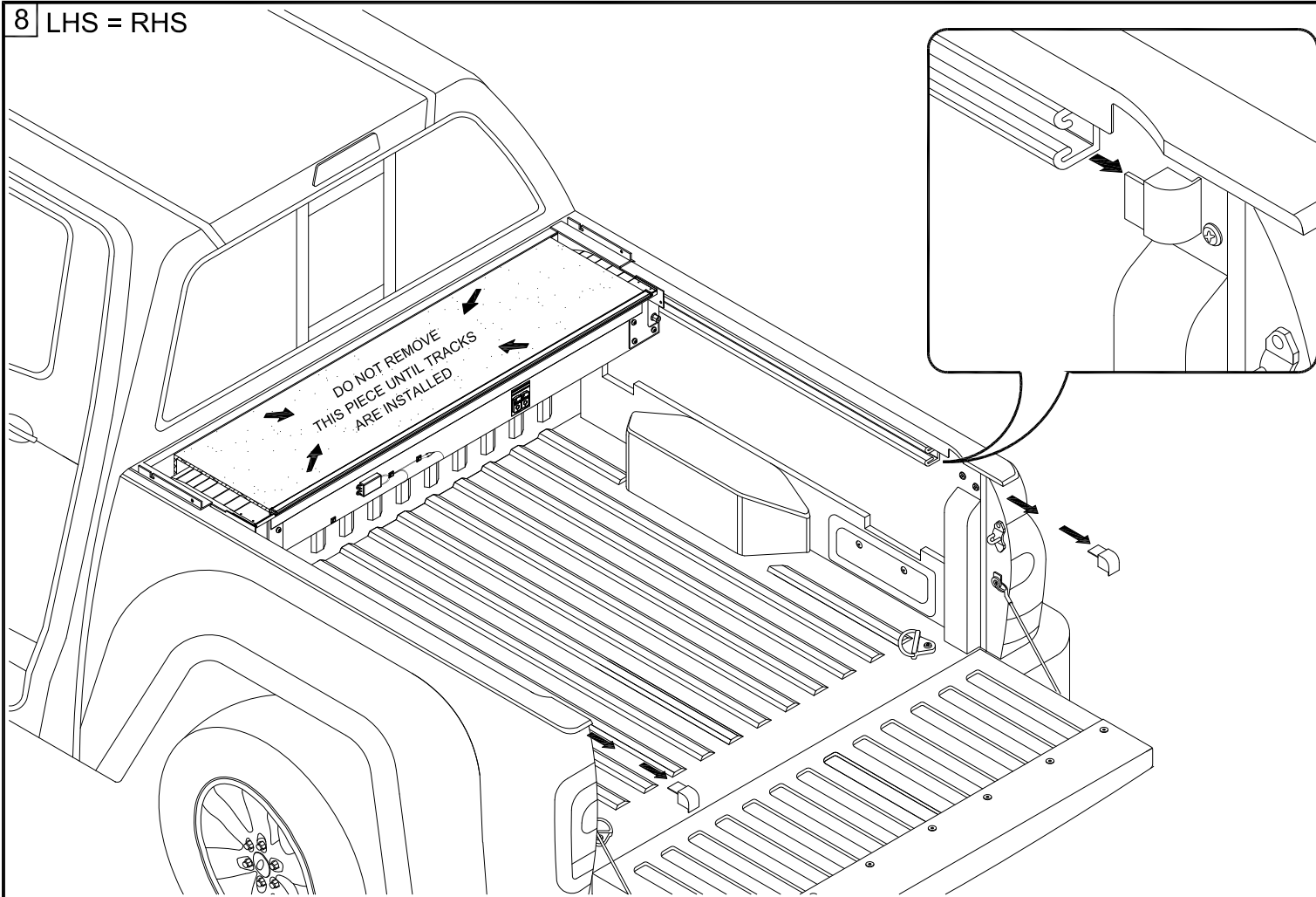
6 LHS = RHS



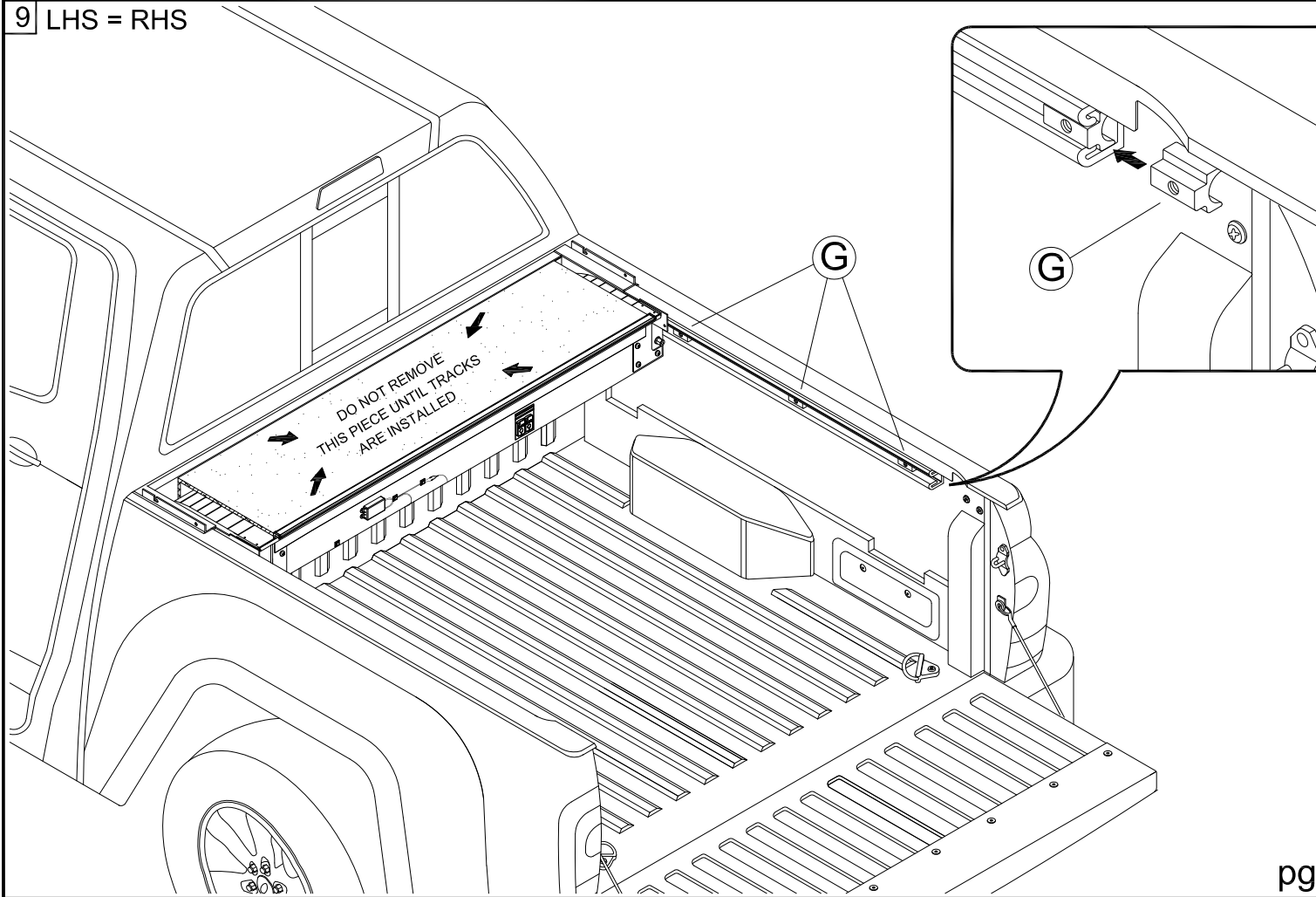
7 LHS = RHS



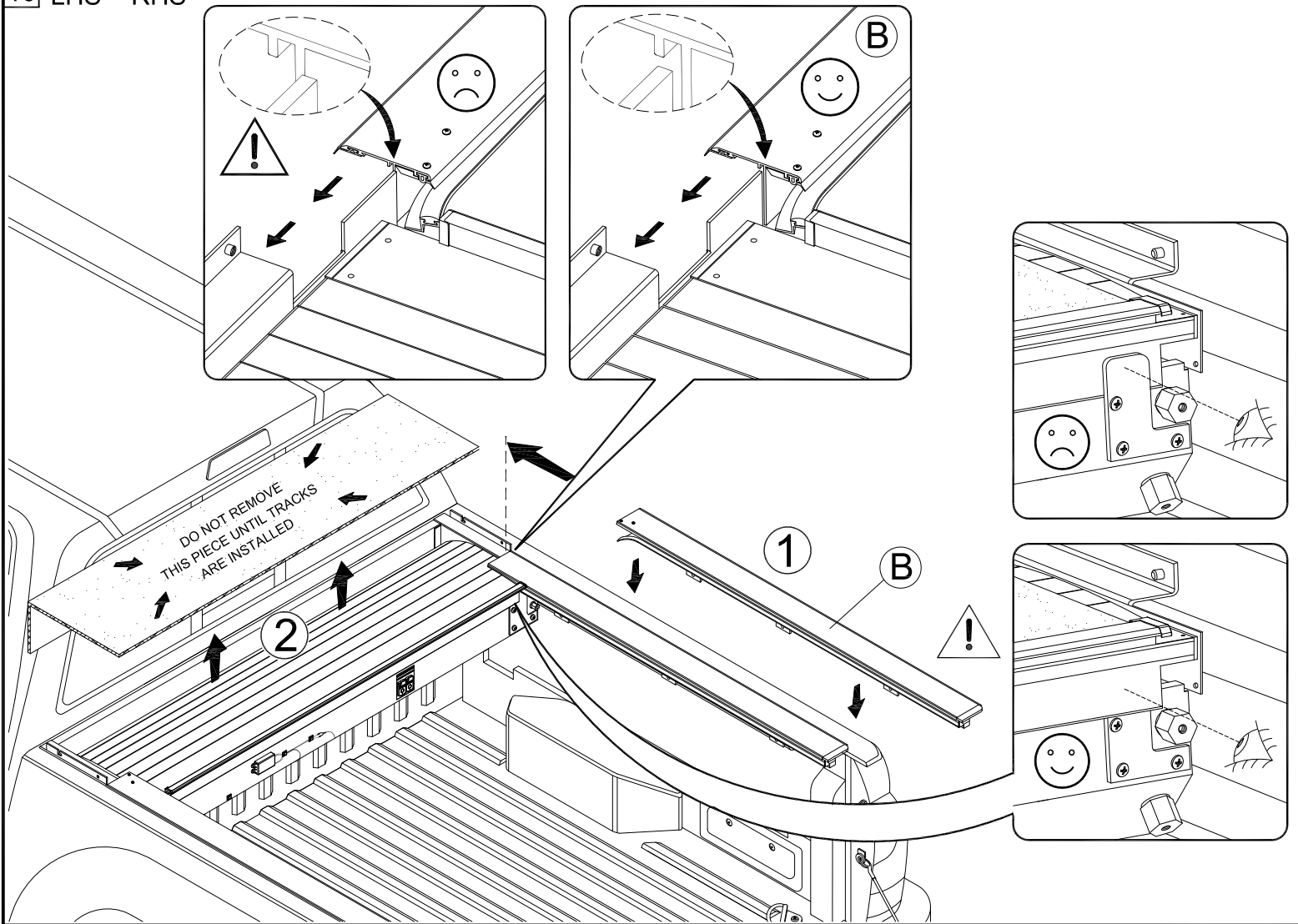
8 LHS = RHS



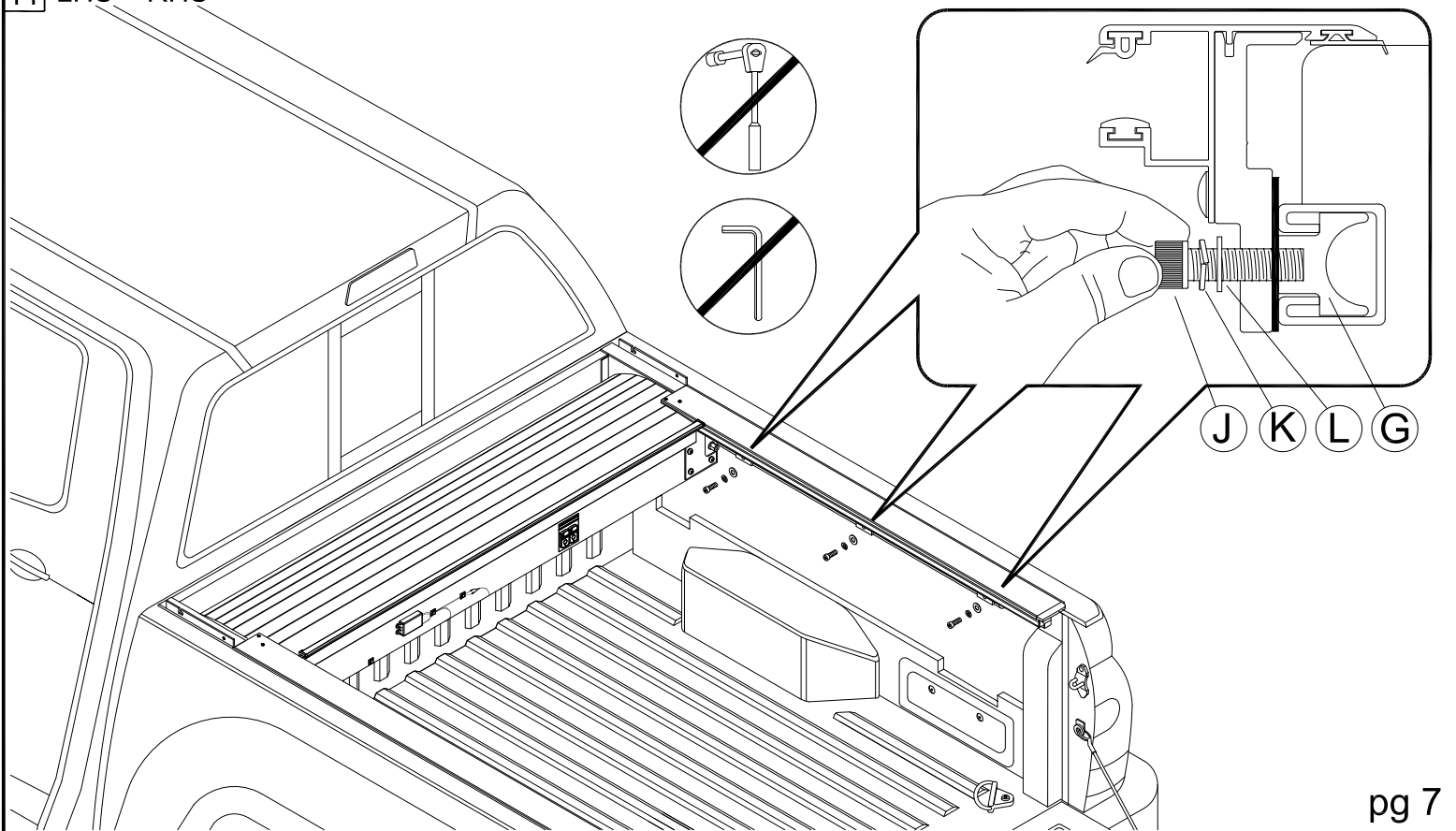
9 LHS = RHS

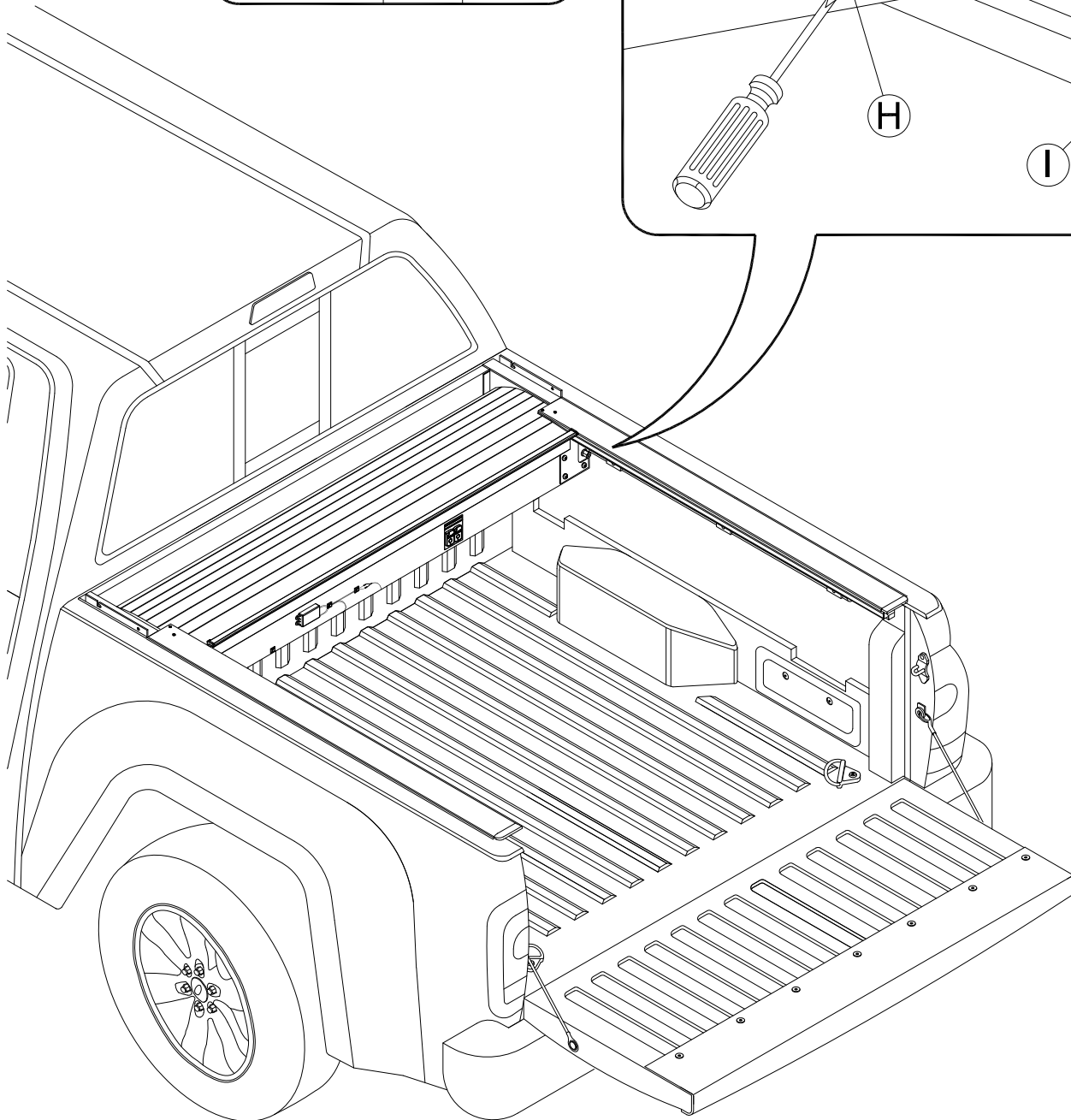
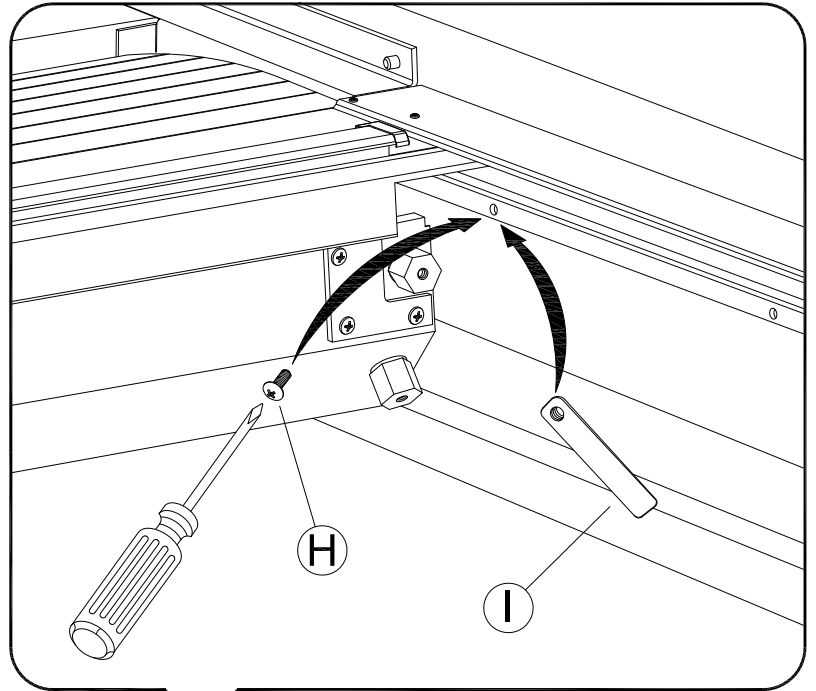
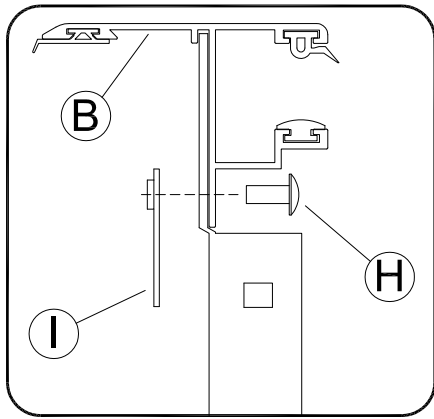


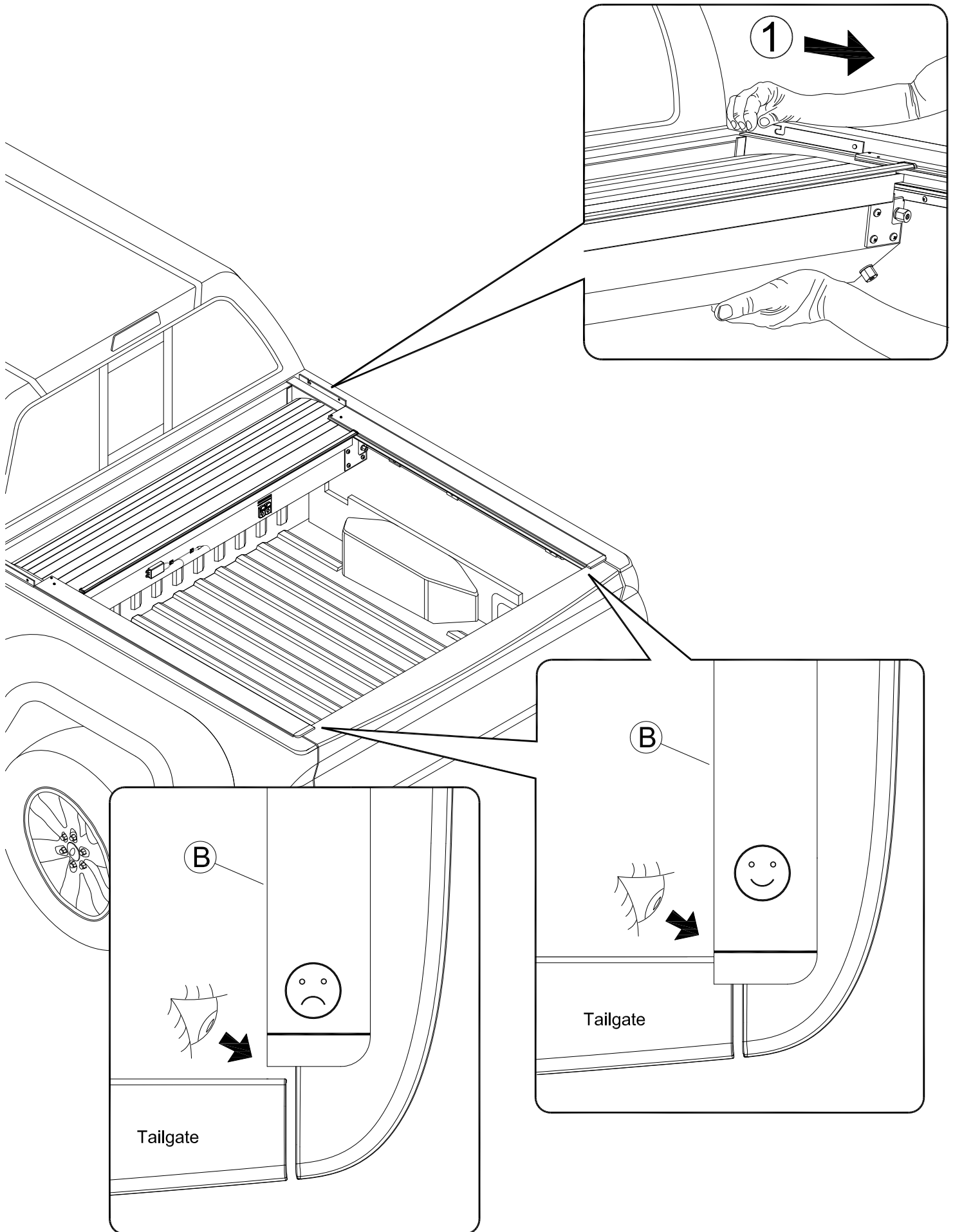
10 LHS = RHS

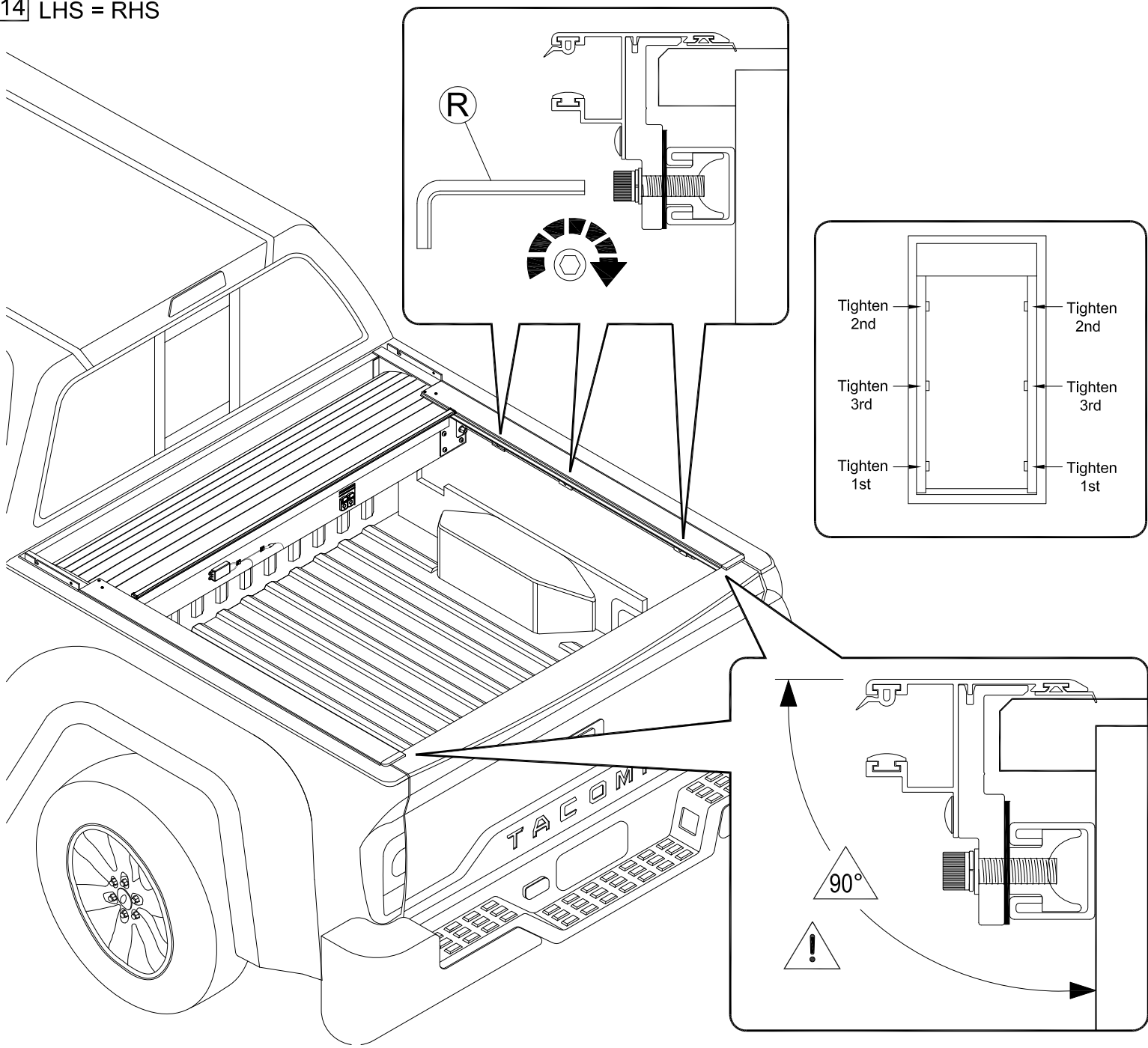


11 LHS = RHS

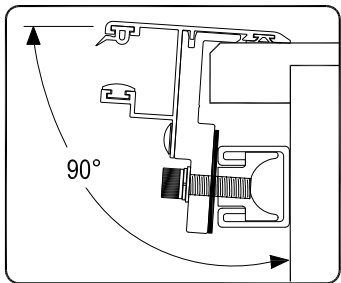




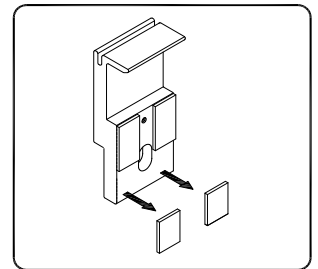




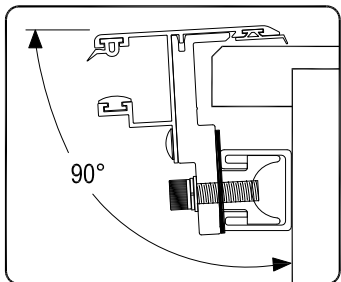
Track tips up.



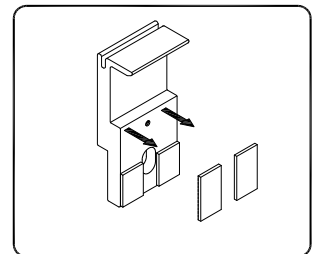
Remove bottom shims from rear clamps.



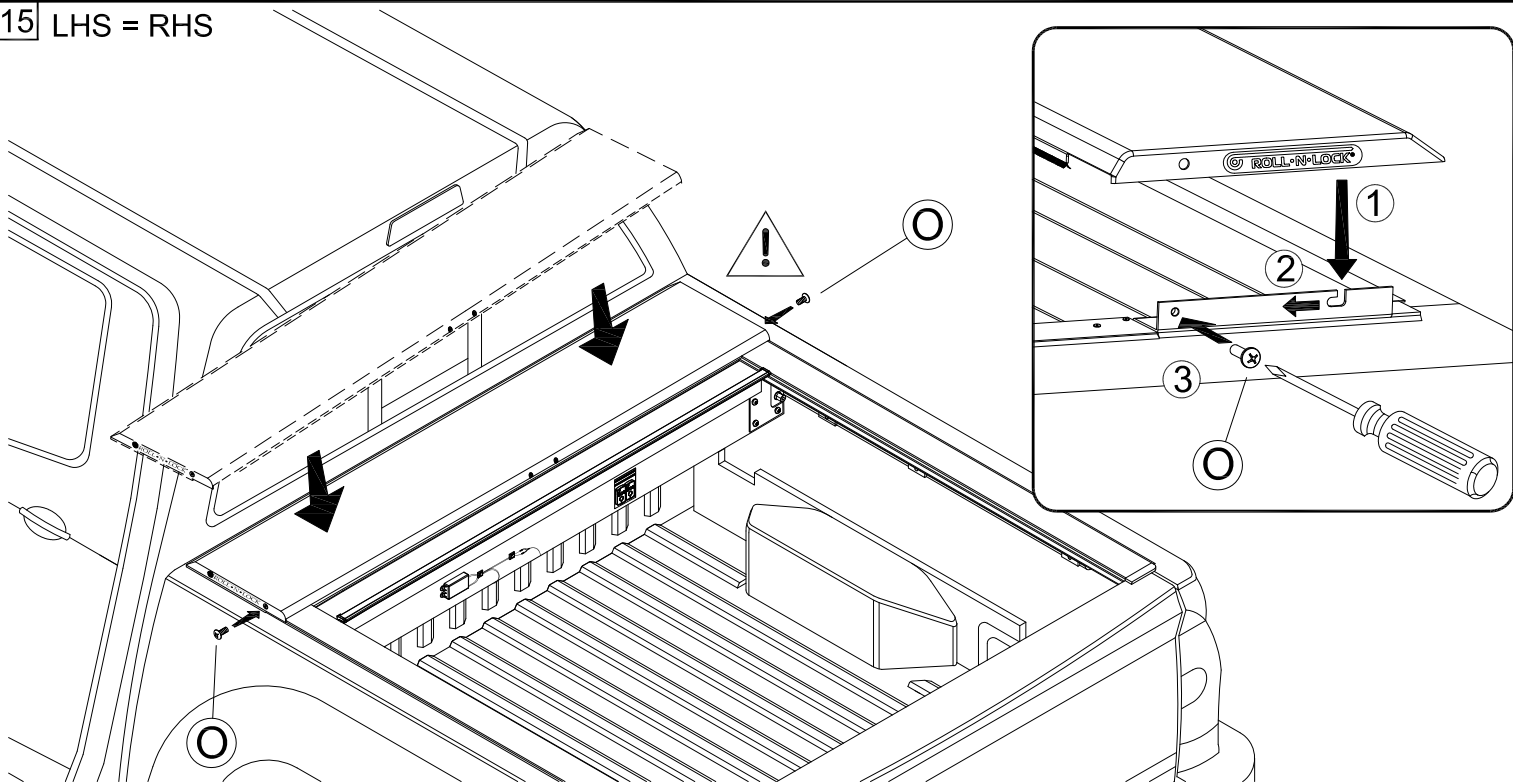
Track tips down.



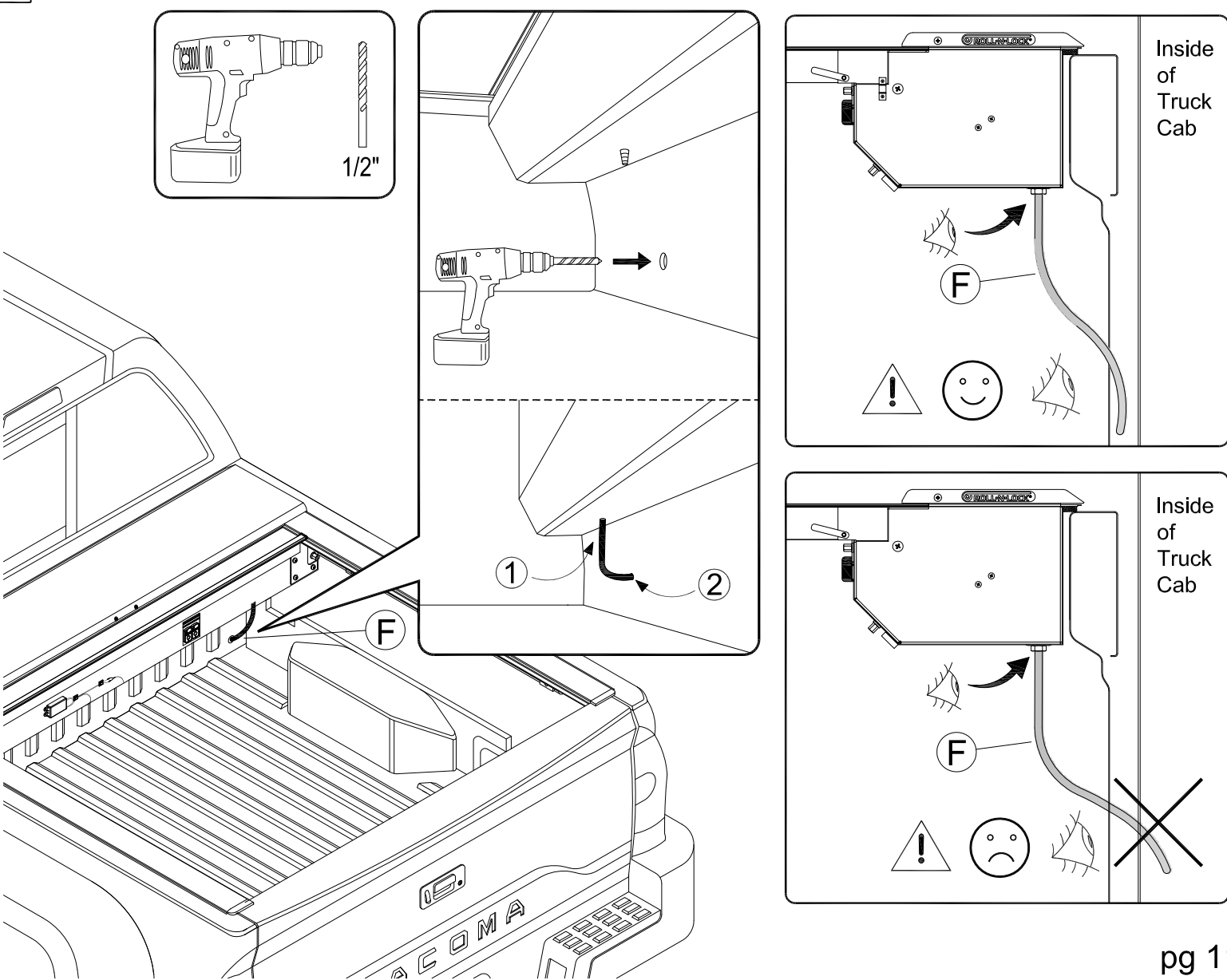
Remove top shims from rear clamps.



15 LHS = RHS



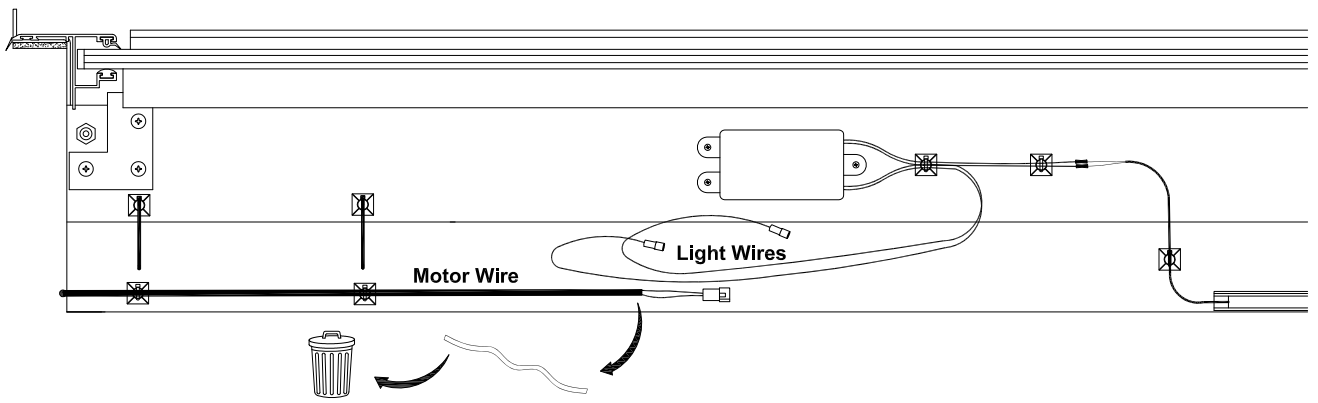
16 LHS = RHS



Powering the unit:

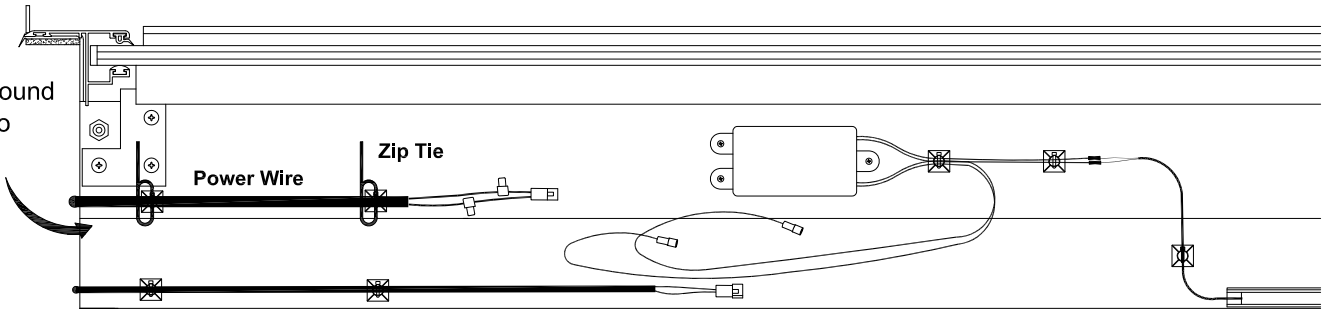
A

Unwrap light wires from motor wire.



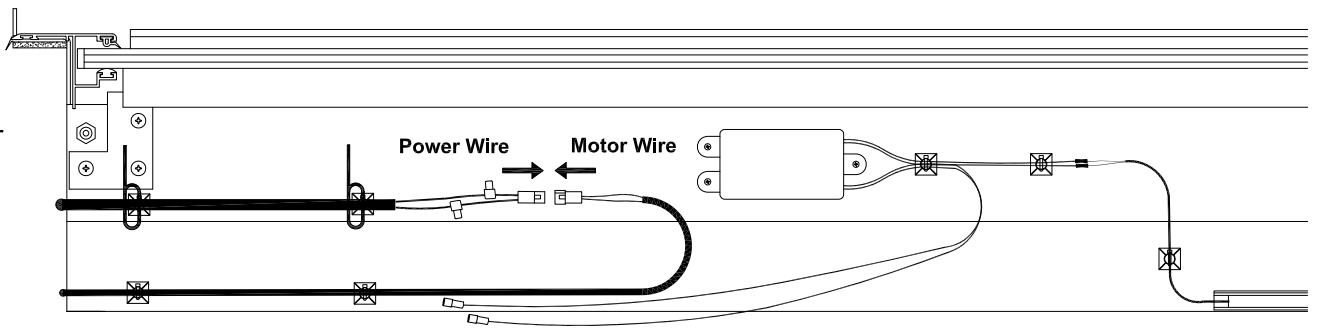
B

Bring power wire around and loosely zip tie to the front of the unit.



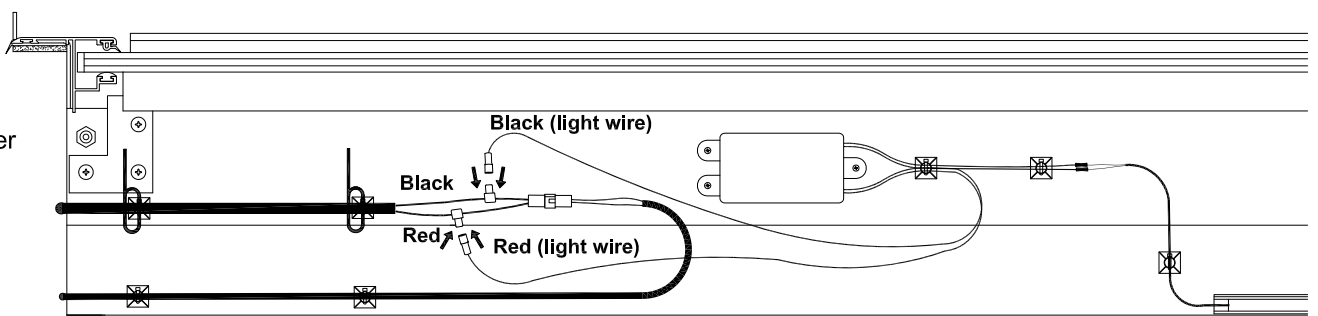
C

Plug motor wire connector into power wire connector.



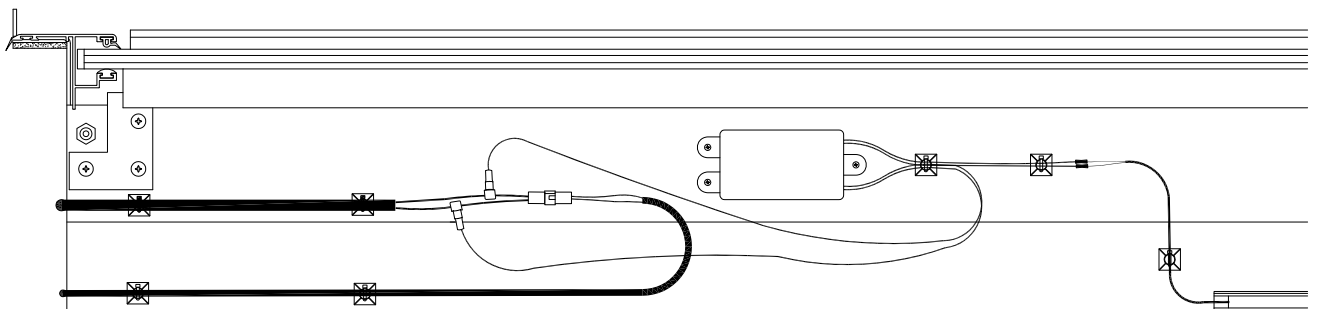
D

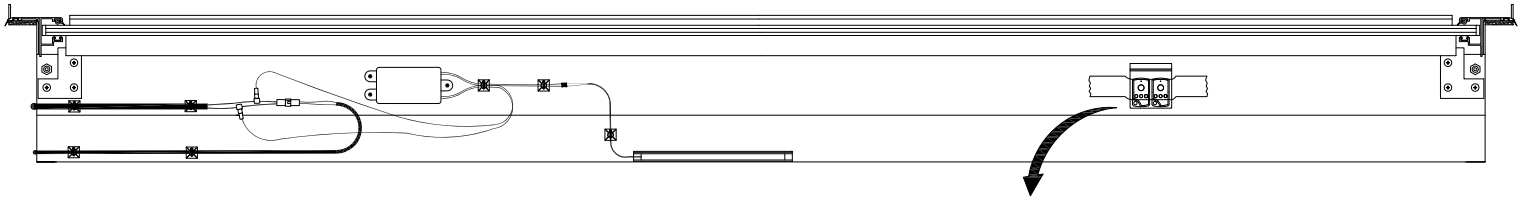
Plug light wire connectors into power wire connectors.



E

Position motor wire tighten zip ties and trim.

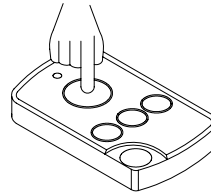




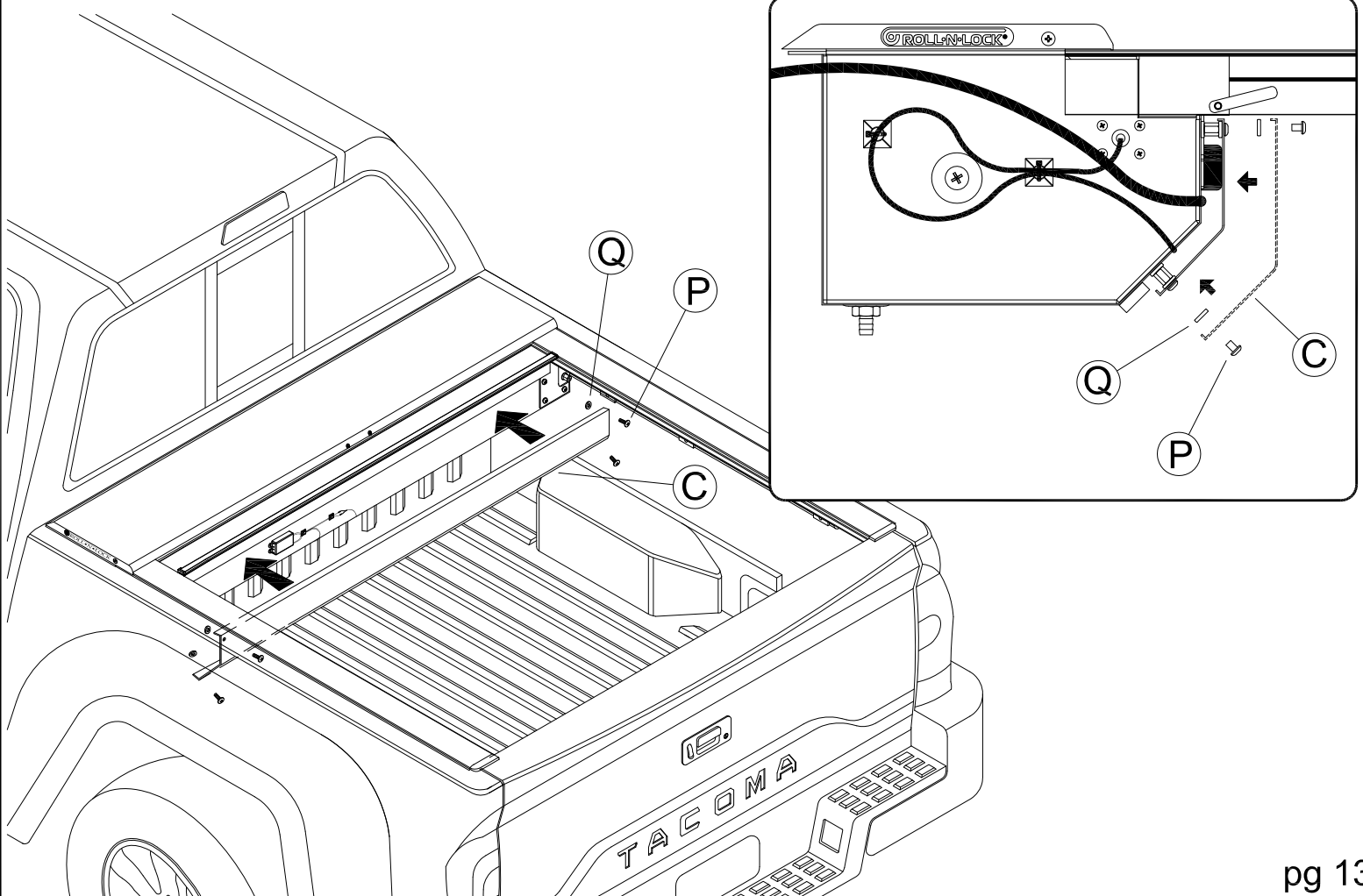
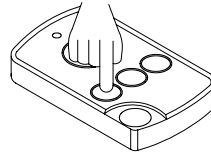
- Remove remotes from housing.

Operating the system:

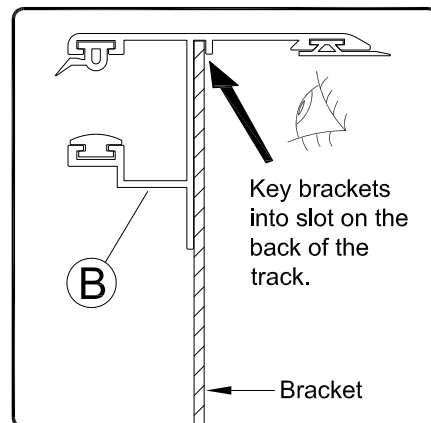
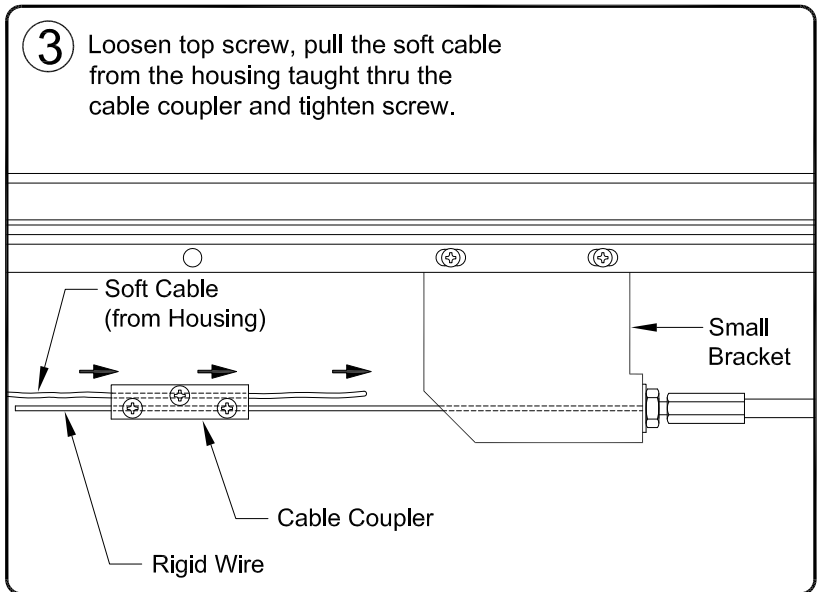
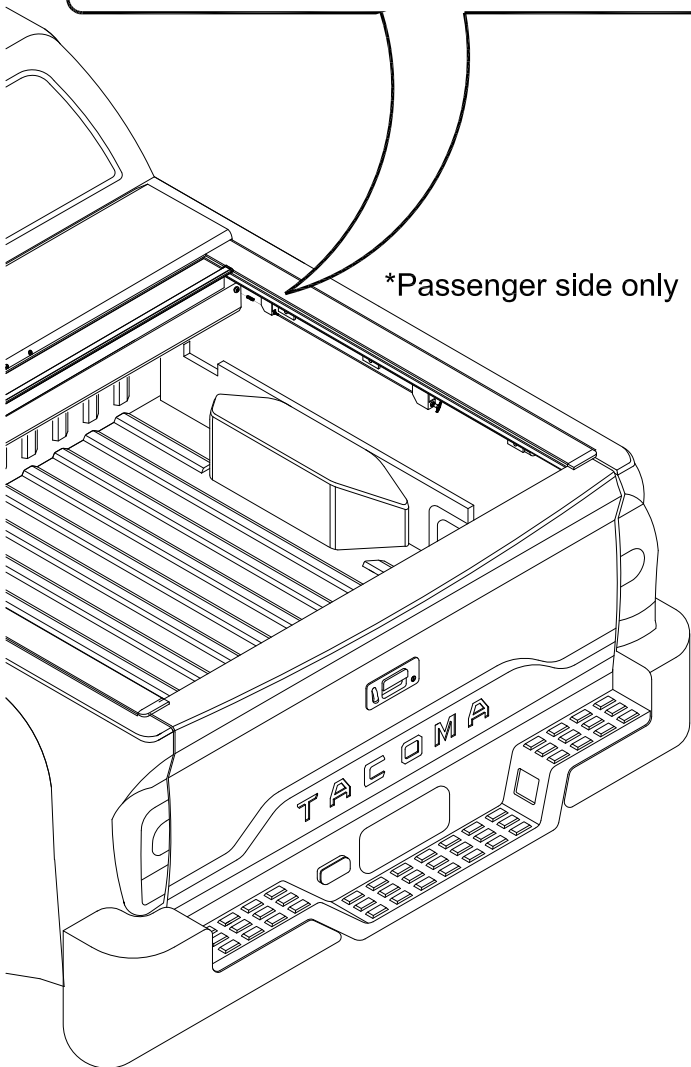
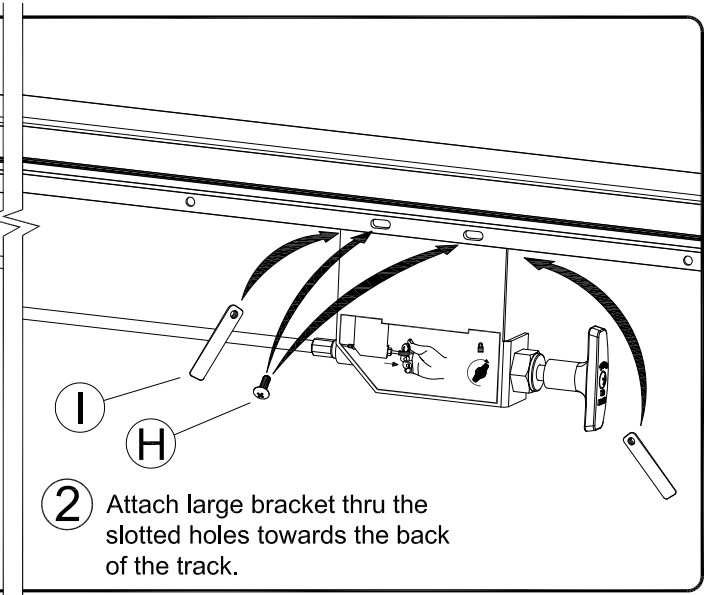
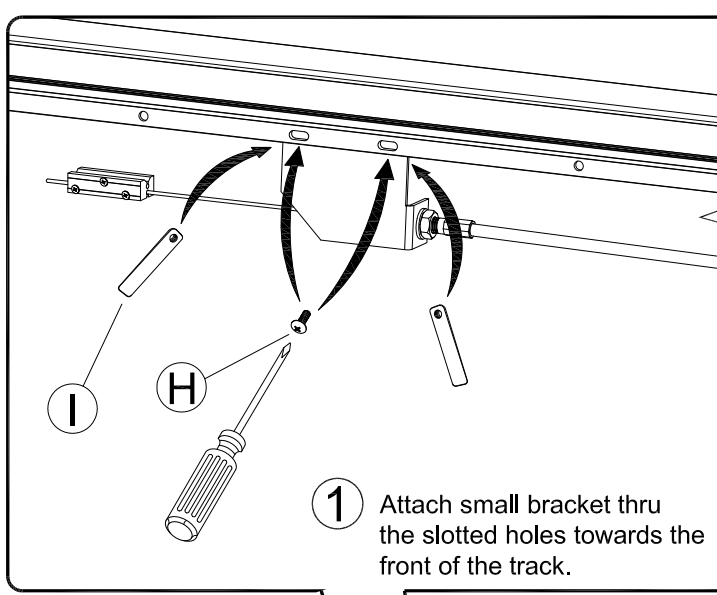
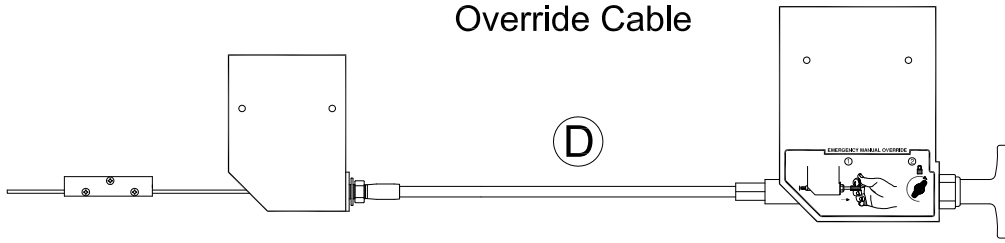
- Push the large button to run cover.
- Push the large button to stop the cover.
- Cover will stop automatically at tailgate and housing.



- Push the small left button to turn light on.
- Push the small left button to turn light off.
- Light will automatically turn off in 3 minutes.

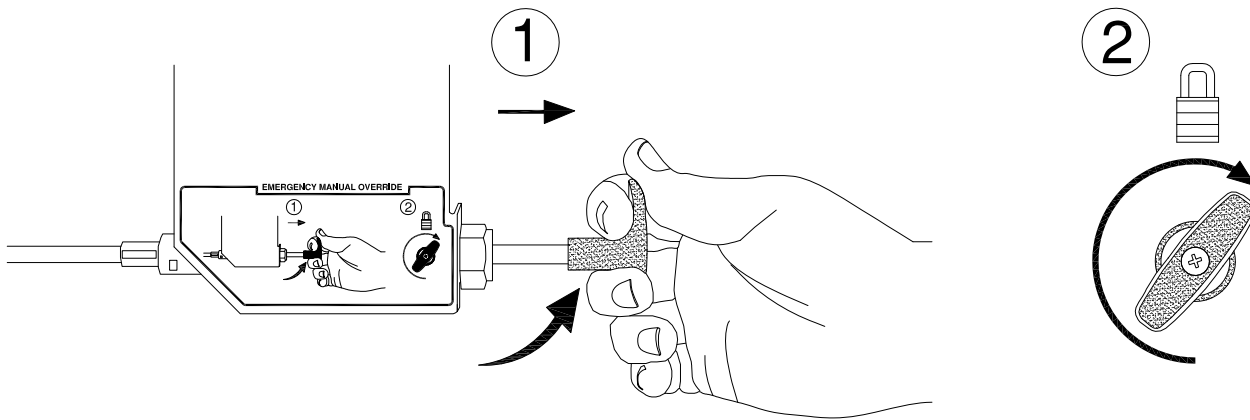


Override Cable



Operating the override:

- Use only when the cover is not operating remotely.
- Pull the lever and turn to lock in place, the cover will operate manually.
- Unlock the lever and push back to lock cover.



ROLL•N•LOCK®

Any questions please call Roll•N•Lock
Customer Service at 800-952-7655 or rollnlock.com