

INSTALLATION MANUAL

S222023

Level of Difficulty

Easy

Installation difficulty levels are based on time and effort involved and may vary depending on the installer level of expertise, condition of the vehicle and proper tools and equipment.

Parts List

Qty	Description
1	Driver / left running board
1	Passenger / right running board
1	Driver / left front mounting bracket
1	Passenger / right front mounting bracket
3	Driver / left rear mounting bracket
3	Passenger / right rear mounting bracket
16	Hex bolt, 8mm x 30mm
16	Combo bolt, 8mm x 25mm
16	Lock washer, 8mm
16	Flat washer, 8mm x 24mm OD x 2mm

Tools Required

Ratchet	Socket set
Torque wrench	Socket extension
Level	--

Torque Specifications

	Metric	SAE
	M6 bolt	3 ft.-lbs.
	M8 bolt	7 ft.-lbs.
	M10 bolt	16 ft.-lbs.
	M12 bolt	28 ft.-lbs.
	1/4" bolt	3 ft.-lbs.
	5/16" bolt	7 ft.-lbs.
	3/8" bolt	16 ft.-lbs.
	7/16" bolt	20 ft.-lbs.

Use above torque setting unless otherwise noted

Product Registration and Warranty

ARIES stands behind our products with industry-leading warranties. To get copies of the product warranties, register your purchase or provide feedback, visit: warranty.curtgroup.com/surveys

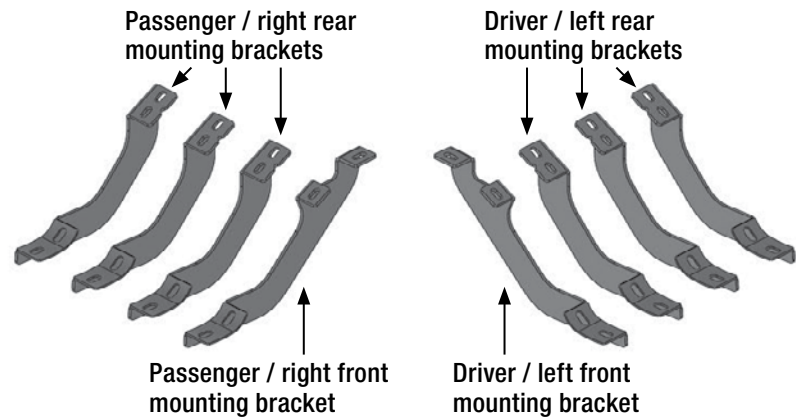
Product Photo



Passenger / right running board

Front

Brackets and Hardware



NOTICE

Visit www.ariesautomotive.com for a full-color copy of this instruction manual, as well as helpful videos, guides and much more!

Before you begin installation, read all instructions thoroughly.

Proper tools will improve the quality of installation and reduce the time required.

Periodic inspection of your product should be performed to ensure all hardware and / or components remain secure.

To help prevent damage to the product or vehicle, refer to the specified torque specifications when securing hardware during the installation process.

Maintenance

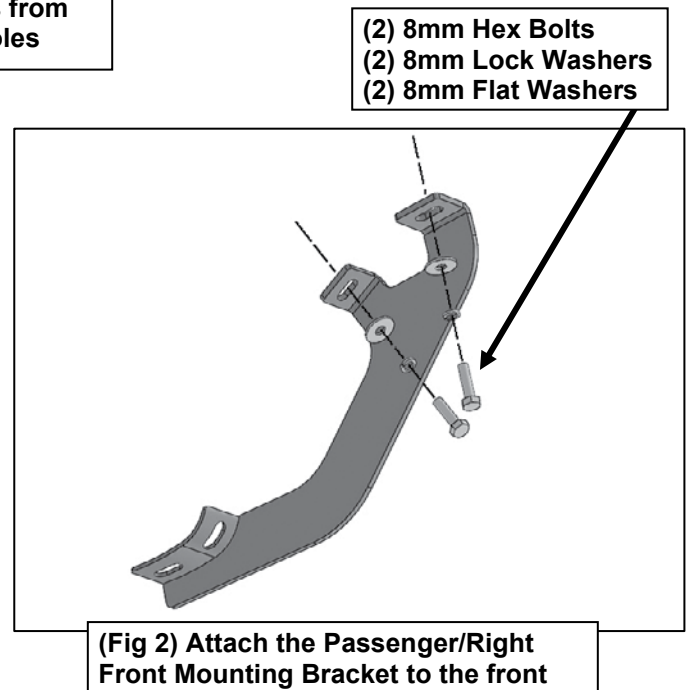
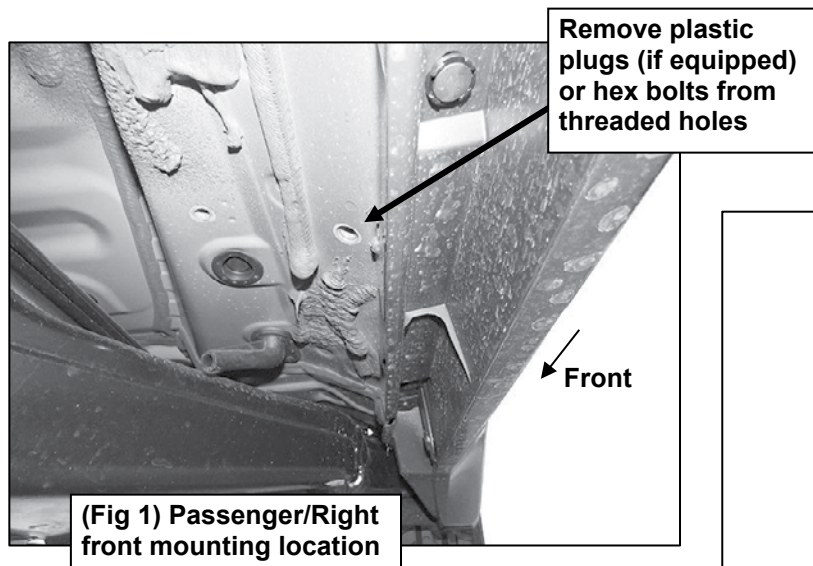
Mild automotive detergent may be used to clean the product. Do not use dish detergent, abrasive cleaners, abrasive pads, wire brushes or other similar products that may damage the finish.

PROCEDURE:

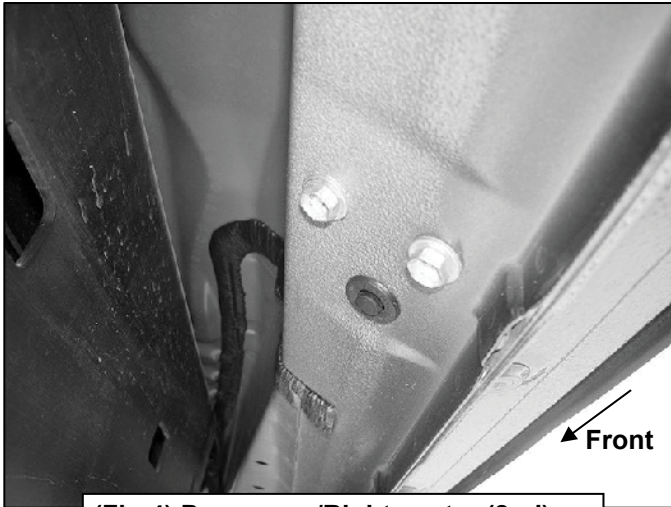
1. REMOVE CONTENTS FROM BOX. VERIFY ALL PARTS ARE PRESENT. READ INSTRUCTIONS CAREFULLY. ASSISTANCE IS HIGHLY RECOMMENDED.
2. Starting on the Passenger/Right side of the vehicle and remove the plastic plugs or hex bolts from the factory mounting location along the bottom of the body, (Figures 1 & 4).
3. Select the Passenger/Right Front Mounting Bracket. Attach the Bracket to the front location with (2) 8mm Hex Bolts, (2) 8mm Lock Washers and (2) 8mm Flat Washers, (Figures 2 & 3). Do not tighten hardware.
4. Repeat Steps 2 & 3 to attach the (3) Rear Mounting Brackets, (Figures 4—8).
5. Unwrap the Passenger/Right Sidebar. Place the Sidebar on top of the (4) Mounting Brackets. **IMPORTANT:** Do not slide the Sidebar on the Brackets, (front to back or rotate), or the finish on the Sidebar may be damaged.
6. Attach the Sidebar to the Brackets with (8) 8mm Combo Bolts, (Figure 9). Do not tighten hardware.
7. Level and adjust the Sidebar and tighten all hardware.
8. Repeat Steps 1—7 to attach the Driver/Left Sidebar.
9. Do periodic inspections to the installation to make sure that all hardware is secure and tight.

To protect your investment, Do not use any type of polish or wax that may contain abrasives that could damage the finish. Use only mild soap to clean the Sidebars.

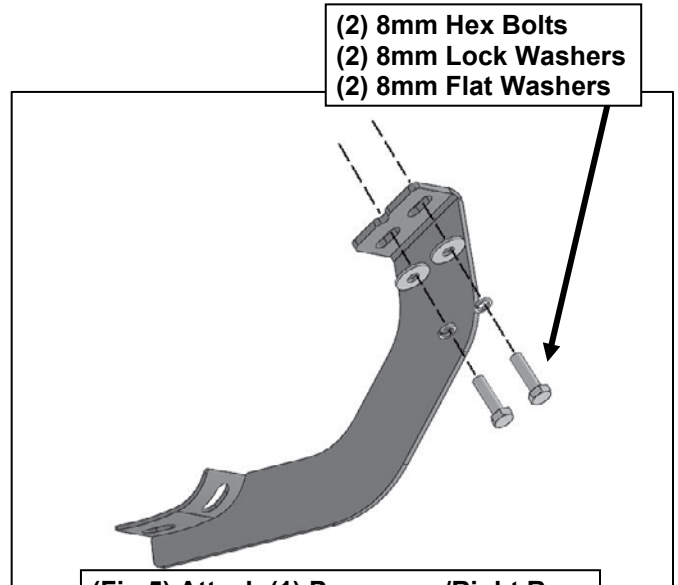
Passenger/Right Side Installation Pictured



Passenger/Right Side Installation Pictured



(Fig 4) Passenger/Right center (2nd)



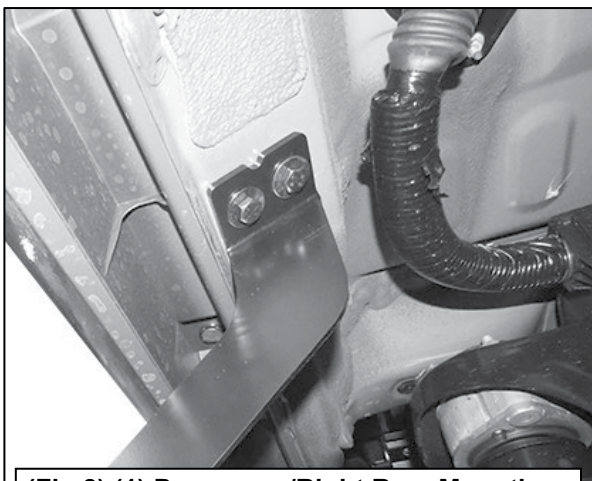
(Fig 5) Attach (1) Passenger/Right Rear Mounting Bracket to the 2nd location



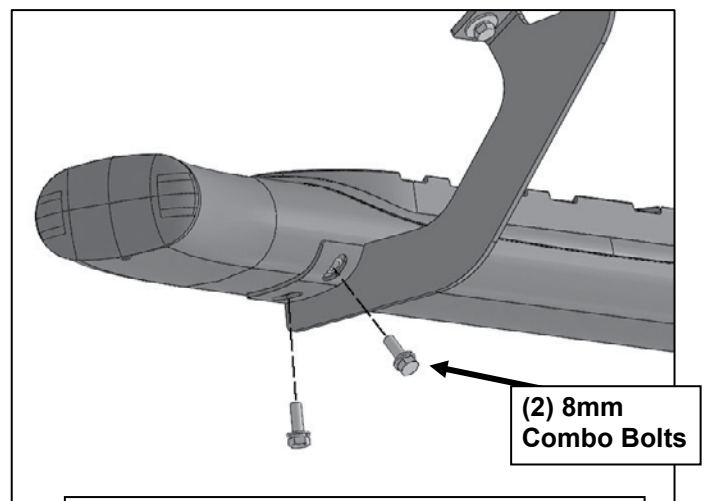
(Fig 6) (1) Passenger/Right Rear Mounting Bracket attached to the 2nd location



(Fig 7) (1) Passenger/Right Rear Mounting Bracket attached to the 3rd location



(Fig 8) (1) Passenger/Right Rear Mounting Bracket attached to the rear location



(Fig 9) Attach the Passenger/Right Running Board to the (4) Mounting Brackets