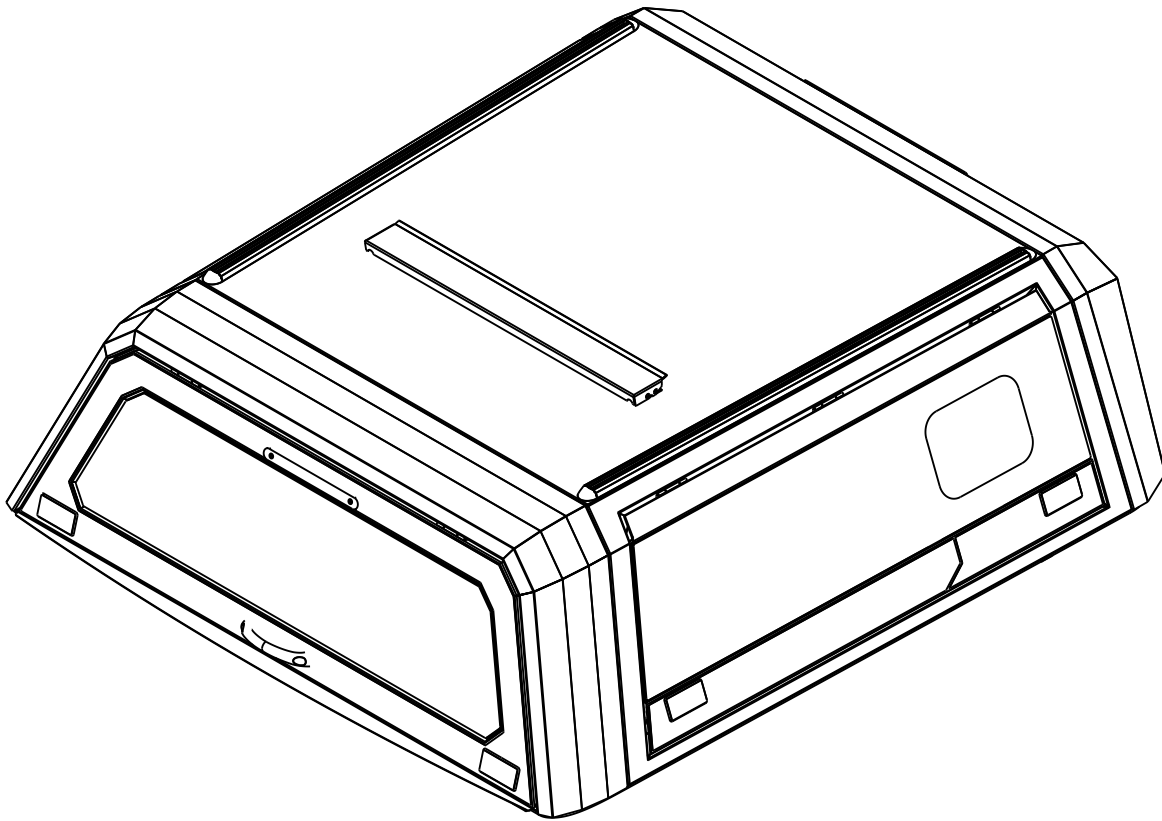


# SMARTCAP™

EVO, EVOa, EVOc & EVOd Series



**TO ENSURE YOU ARE USING THE MOST RECENT VERSION, PLEASE DOWNLOAD THE INSTRUCTION GUIDE AT [RSISMARTCAP.COM/ASSEMBLY-FITMENT](https://rsismartcap.com/assembly-fitment) FOLLOW INSTRUCTIONS CAREFULLY TO AVOID DAMAGE TO COMPONENTS OR THE VEHICLE**

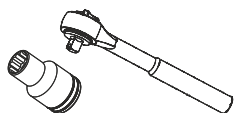
**RSISMARTCAP.COM - SUPPORT.NA@RSISMARTCAP.COM - NORTH AMERICA**



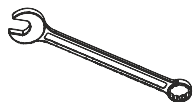
# TABLE OF CONTENTS

<b>REQUIRED TOOLS</b> .....	<b>2</b>
<b>ASSEMBLY INSTRUCTIONS</b> .....	<b>3</b>
Unboxing Instructions .....	<b>3</b>
Components & Assembly Hardware .....	<b>4</b>
Assembly of the SmartCap .....	<b>6</b>
<b>INSTALLATION INSTRUCTIONS</b> .....	<b>13</b>
Fitment Kit Contents .....	<b>13</b>
Installation of the SmartCap .....	<b>14</b>
GM Silverado, GM Colorado, Jeep Gladiator (Without Trail Rail), Dodge Ram, Ford F-Series .....	<b>15</b>
Jeep Gladiator (With Trail Rail) .....	<b>16</b>
Ford Ranger .....	<b>17</b>
Toyota Tacoma .....	<b>20</b>
<b>THIRD BRAKE LIGHT WIRING HARNESS</b> .....	<b>21</b>
GM Silverado, GM Colorado, Dodge Ram, Ford F-Series, Ford Ranger, Toyota Tundra .....	<b>21</b>
Wiring Reference Guide .....	<b>22</b>
For Vehicles With a Factory 7 Way .....	<b>23</b>
For Vehicles Without a Factory 7 Way .....	<b>24</b>
Toyota Tacoma .....	<b>25</b>
Wiring Reference Guide .....	<b>26</b>
Wiring Reference Guide .....	<b>27</b>
<b>SUPPORT DETAILS</b> .....	<b>28</b>

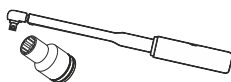
## REQUIRED TOOLS



Socket Wrench  
10mm & 13mm Socket



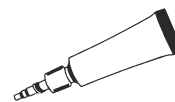
Combination Wrench  
10mm & 13mm Flat



Torque Wrench  
10mm & 13mm Flat



Sharp Box Knife  
Or Scissors



Super Glue

## WARNING



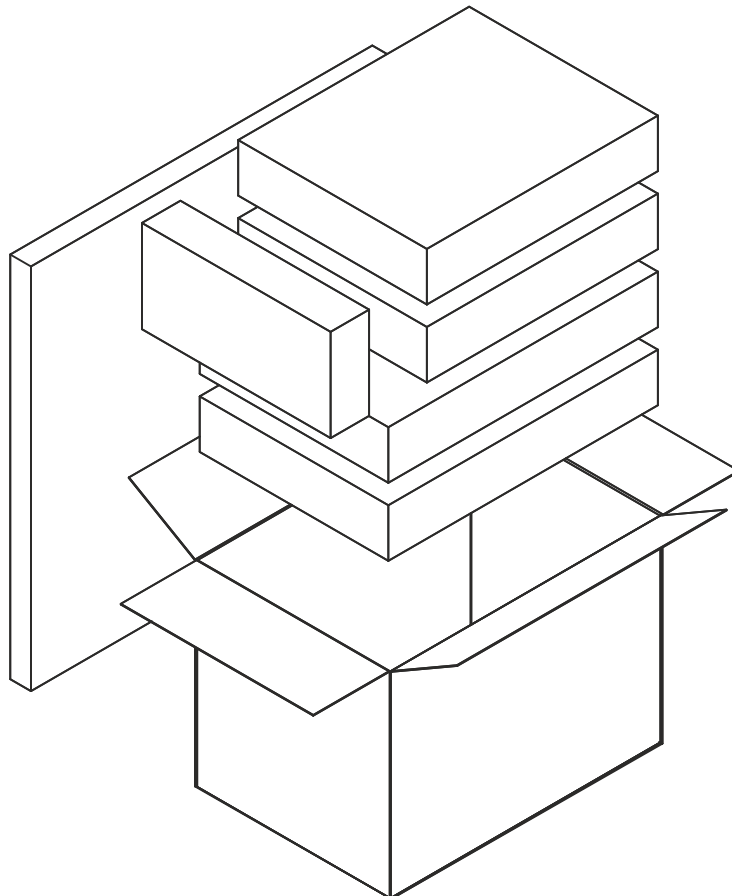
- **USE ONLY THE TOOLS RECOMMENDED IN THIS GUIDE**
- **USE ONLY THE HARDWARE THAT HAS BEEN PROVIDED**
- **HANDLE ALL COMPONENTS WITH CARE**
- **IT IS RECOMMENDED THAT FOUR PEOPLE LIFT/LOWER THE SMARTCAP**
- **NEVER USE ACETONE ON THE PAINTWORK**
- **AVOID PINCHING/SQUASHING HANDS**

# UNBOXING INSTRUCTIONS

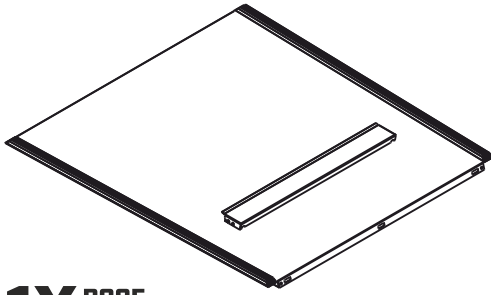
1. INSPECT THE ENTIRE PACKAGE FOR DAMAGE. IF ANY IS FOUND, CONTACT: [SUPPORT.NA@RSISMARTCAP.COM](mailto:SUPPORT.NA@RSISMARTCAP.COM)
2. ENSURE THE WORK AREA IS CLEAN BEFORE UNBOXING.
3. ENSURE THE REQUIRED TOOLS ARE PRESENT AND ALL HARDWARE CONTENTS ARE ACCOUNTED FOR.
4. WE RECOMMEND A MINIMUM OF 2 PEOPLE TO UNBOX THE PACKAGED CONTENT.
5. UNSTRAP THE BOXES.
6. ORIENT THE ROOF PANEL BOX WITH THE "THIS SIDE UP" LABEL FACING UPWARDS.

**NOTE: ENSURE ALL PANELS ARE CORRECTLY ORIENTATED (THIS SIDE UP). USE STRAPS TO HELP LIFT THE BOXES**

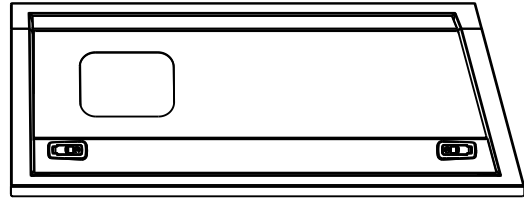
## UNBOXING EXPLODED VIEW



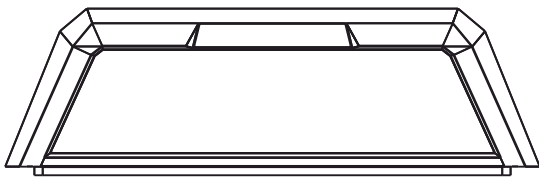
# COMPONENTS



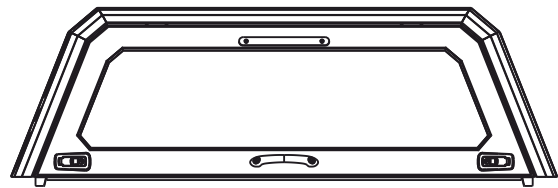
**1X** ROOF  
PANEL



**2X** SIDE PANELS  
LEFT & RIGHT



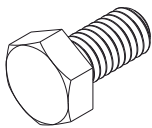
**1X** FRONT  
FLANGE



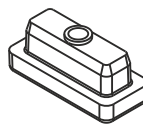
**1X** REAR  
FLANGE

# ASSEMBLY HARDWARE

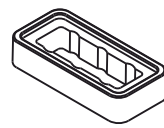
**SMARTCAP ASSEMBLY HARDWARE THAT IS ALREADY  
HAND FASTENED TO THE FLANGES**



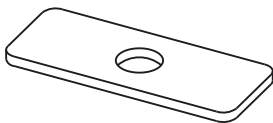
**28X** SET SCREW  
M6X10



**28X** FASTENER  
BLOCKS



**28X** FASTENER BLOCK  
CLAMP

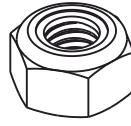


**28X** FASTENER BLOCK  
LOADSPREADER

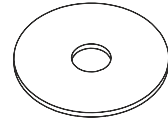
# ASSEMBLY KIT CONTENTS

## KIT 1: ROOF PANEL FASTENING HARDWARE

**FOR ALL SB  
SHORT BED**



**10X M6  
NYLOC NUTS**

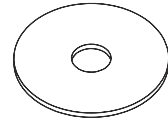


**10X M6X25  
FENDER WASHERS**

**FOR ALL ST  
STANDARD BED**

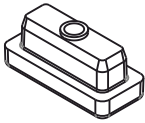


**12X M6  
NYLOC NUTS**

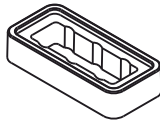


**12X M6X25  
FENDER WASHERS**

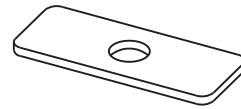
## KIT 2: SPARE PARTS



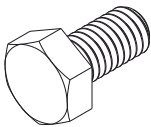
**1X FASTENER  
BLOCKS**



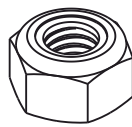
**1X FASTENER BLOCK  
CLAMP**



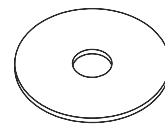
**1X FASTENER BLOCK  
LOADSPREADER**



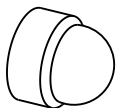
**1X SET SCREW  
M6X10**



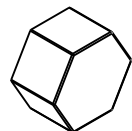
**1X M6  
NYLOC NUTS**



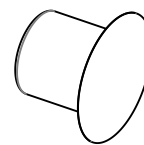
**1X M6X25  
FENDER WASHERS**



**4X M6  
NUT CAP**



**4X M6  
HEX CAP**



**4X BARREL  
PLUG**

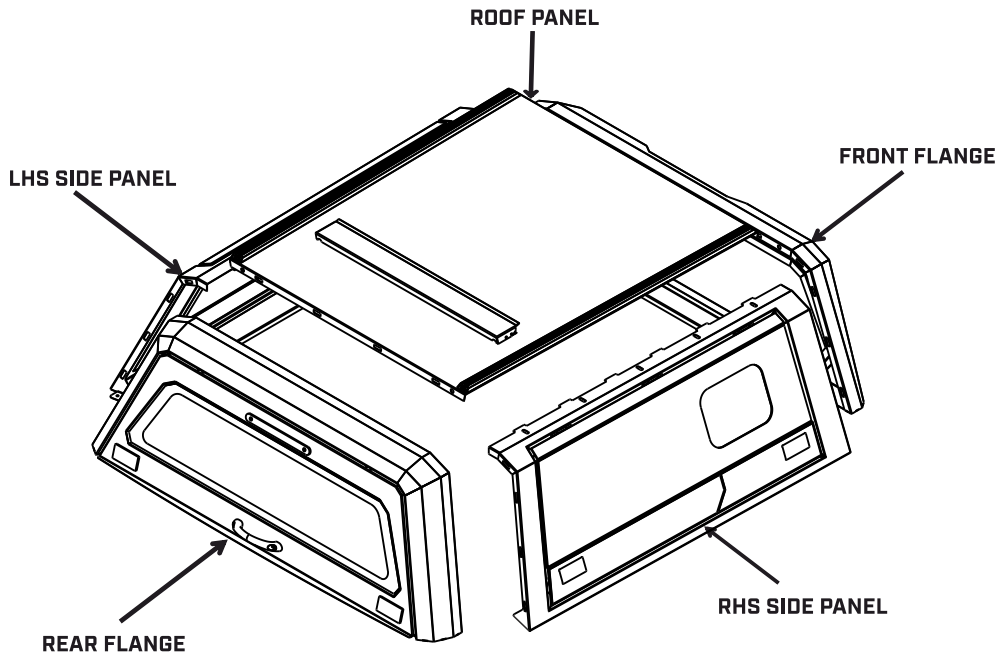
## WEATHER SEAL



**1X D-RUBBER  
WEATHER STRIP**

# ASSEMBLY OF THE SMARTCAP

## ASSEMBLY EXPLODED VIEW



### STEP ONE

1. ORIENT THE ROOF PANEL BOX WITH "THIS SIDE UP" LABEL FACING UPWARDS, THEN OPEN.
2. UNFOLD THE PROTECTIVE PLASTIC SHEET, LEAVING IT ON THE BOTTOM OF THE ROOF PANEL.
3. USE THE OPEN BOX LID AS A PROTECTIVE SURFACE TO ASSEMBLE THE SMARTCAP UPON.  
[SEE FIGURE 1]
4. WORK WITH CAUTION TO PREVENT ANY DAMAGE.

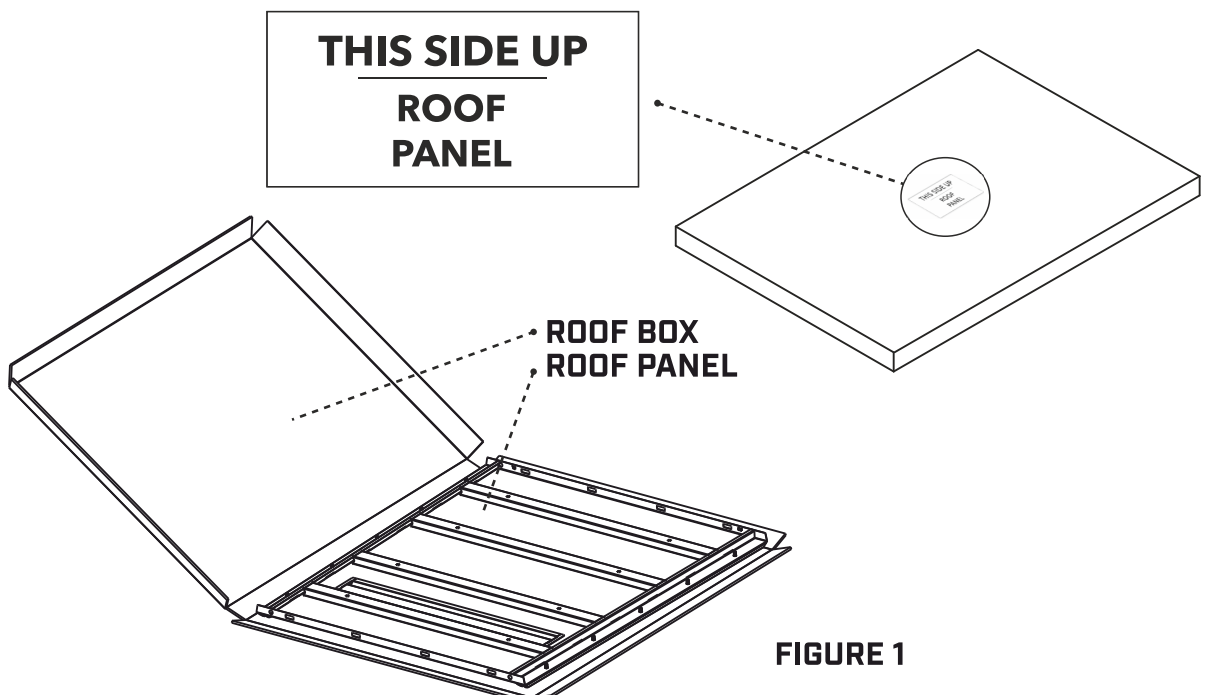


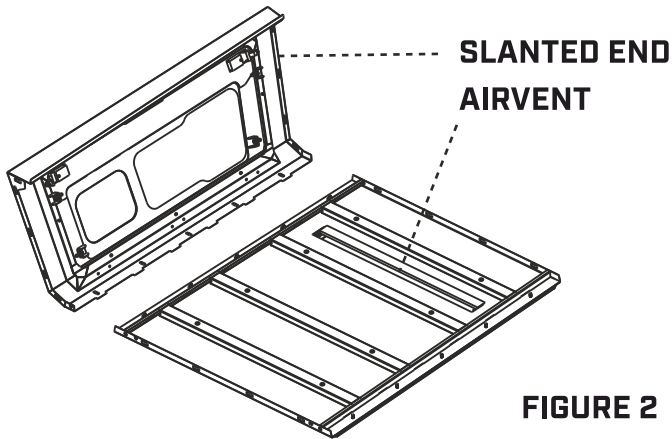
FIGURE 1

# ASSEMBLY OF THE SMARTCAP

## STEP TWO

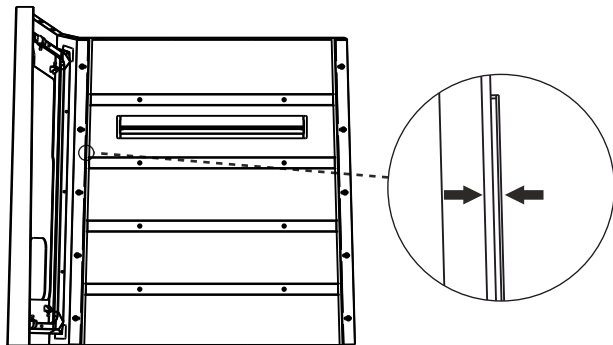


1. REMOVE THE LEFT SIDE PANEL FROM ITS PACKAGING AND PROTECTIVE PLASTIC BAG.
2. YOU WILL NOTICE ONE END OF THE PANEL IS SLANTED. TO ENSURE IT'S CORRECTLY ORIENTATED, PLACE THE SLANTED END TOWARDS THE AIR-VENT ON THE ROOF PANEL.
3. ONCE ORIENTATED CORRECTLY, INSERT THE SIDE PANEL INTO THE ROOF. (SEE FIGURE 2)
4. TO ALLOW GREATER FLEXIBILITY FOR PANEL FITMENT, ONLY HAND TIGHTEN HARDWARE AT THIS STAGE. (SEE FIGURE 3)
5. WORK WITH CAUTION TO PREVENT ANY DAMAGE.

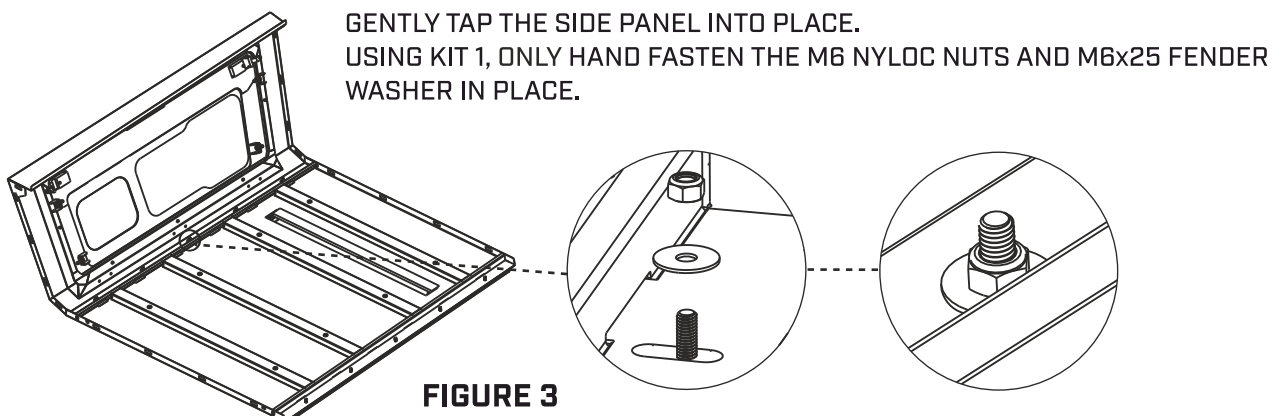


HOOK THE SIDE PANEL INTO THE ROOF, CORRECTLY ORIENTATED, SLANTED END OF SIDE PANEL TO FACE THE DIRECTION OF THE ROOF AIR-VENT.

**FIGURE 2**



GENTLY TAP THE SIDE PANEL INTO PLACE, ENSURING THE GAP BETWEEN THE SIDE PANEL AND ROOF IS MINIMAL.



**FIGURE 3**

# ASSEMBLY OF THE SMARTCAP

## STEP THREE



1. REMOVE THE RIGHT HAND SIDE PANEL FROM ITS PACKAGING AND PROTECTIVE PLASTIC BAG.
2. HOOK THE SIDE PANEL INTO THE ROOF. [SEE FIGURE 4]
3. HAND FASTEN THE HARDWARE IN PLACE. [SEE FIGURE 5]
4. WORK WITH CAUTION TO PREVENT ANY DAMAGE.

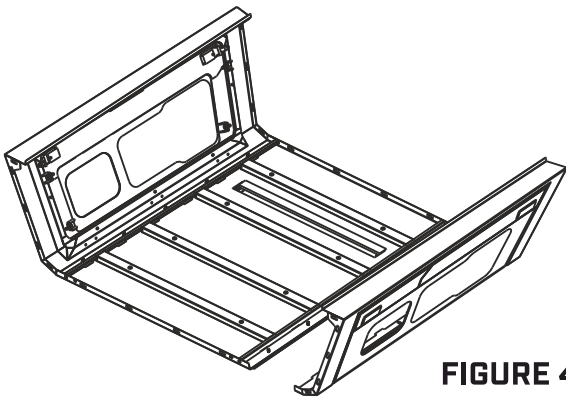
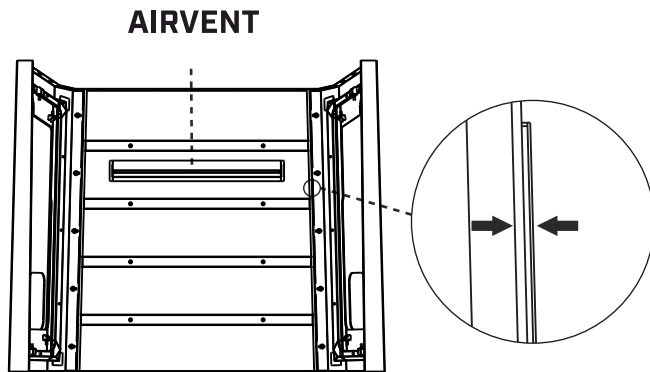
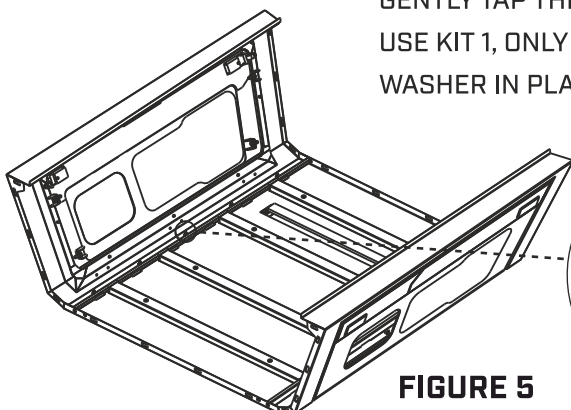


FIGURE 4

HOOK THE SIDE PANEL INTO THE ROOF. CORRECTLY ORIENTATED, SLANTED END OF THE SIDE PANEL TO FACE THE DIRECTION OF THE ROOF AIR-VENT.



GENTLY TAP THE SIDE PANEL INTO PLACE, ENSURING THE GAP BETWEEN THE SIDE PANEL AND ROOF IS MINIMAL.



GENTLY TAP THE SIDE PANEL INTO PLACE. USE KIT 1, ONLY HAND FASTEN THE M6 NYLOC NUTS AND M6x25 FENDER WASHER IN PLACE.

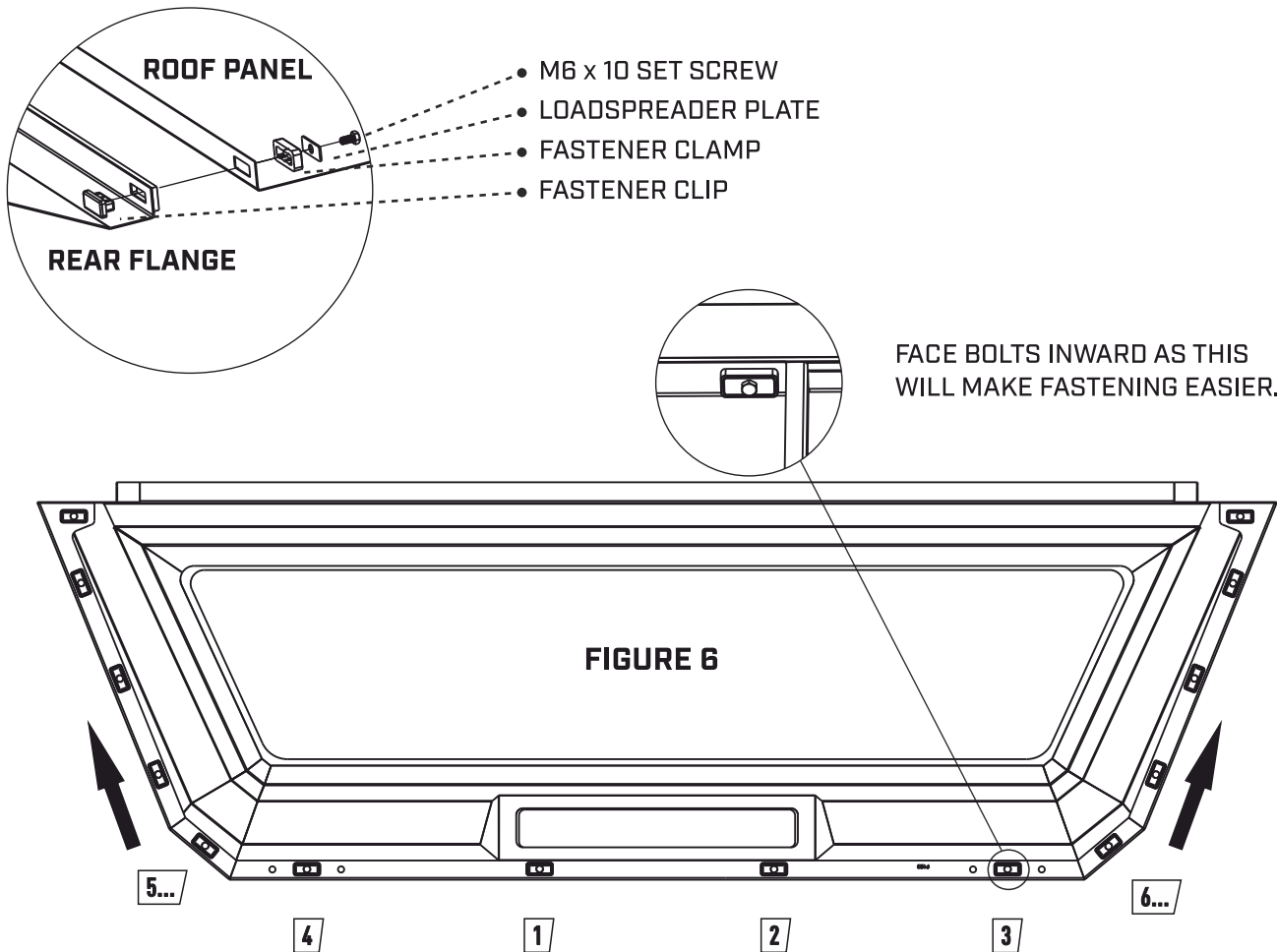
FIGURE 5



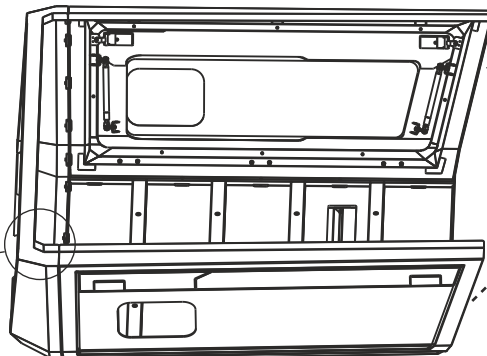
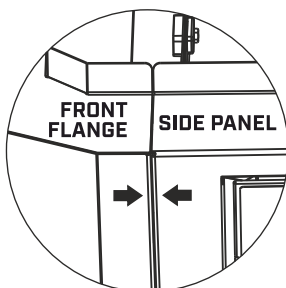
# ASSEMBLY OF THE SMARTCAP

## STEP FOUR

1. REMOVE HAND FASTENED CLIPS ON FRONT FLANGE TO RE-USE IN ASSEMBLY PROCESS.
2. START TO HAND FASTEN THE FRONT FLANGE IN THE CENTER AND ENSURE THE PANELS ARE FLUSH WITH ONE ANOTHER AT EACH POINT OF FASTENING.
3. FOLLOW THE FASTENING SEQUENCE BELOW. (SEE FIGURE 6)



ENSURE THE FRONT FLANGE IS FLUSH WITH THE SIDE PANEL.

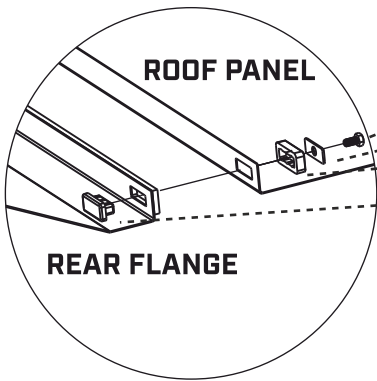


SUPPORT SIDE PANEL TO HELP ALIGN THE FLANGE, WHEN INSERTING THE FASTENER CLIPS.

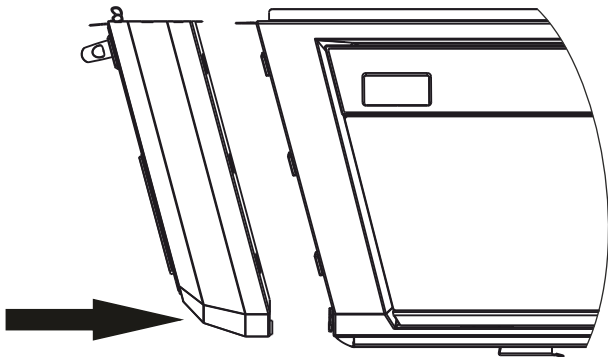
# ASSEMBLY OF THE SMARTCAP

## STEP FIVE

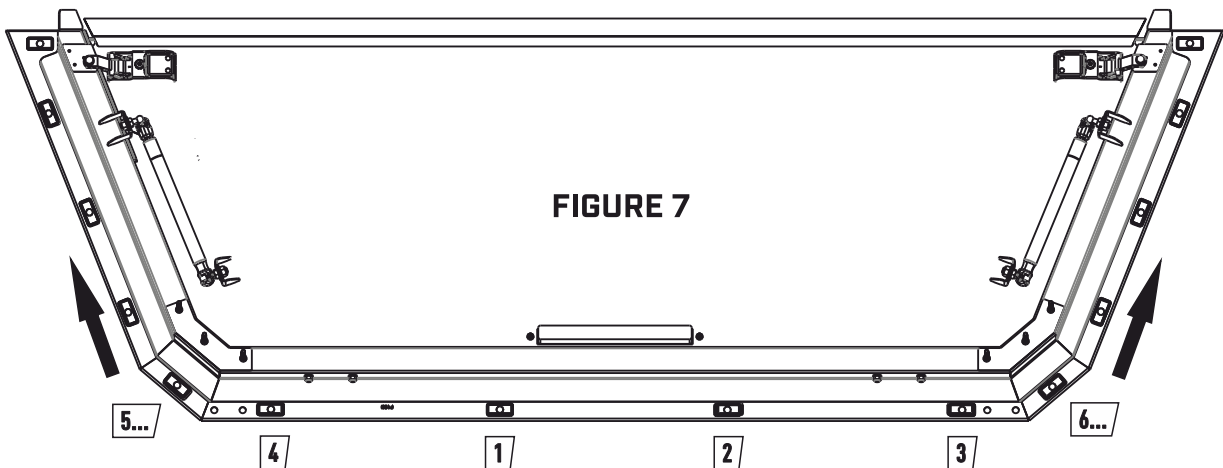
1. REMOVE HAND FASTENED CLIPS ON REAR FLANGE TO RE-USE IN ASSEMBLY PROCESS.
2. START TO HAND FASTEN THE REAR FLANGE IN THE CENTER AND ENSURE THE PANELS ARE FLUSH WITH ONE ANOTHER AT EACH POINT OF FASTENING.
3. FOLLOW THE FASTENING SEQUENCE BELOW. (SEE FIGURE 7)



- M6 x 10 SET SCREW
- LOADSPREADER PLATE
- FASTENER CLAMP
- FASTENER CLIP



PUSH GENTLY WITH FOOT TO HELP STABILIZE THE FLANGE AND MAKE HAND TIGHTENING OF THE BOLTS EASIER.



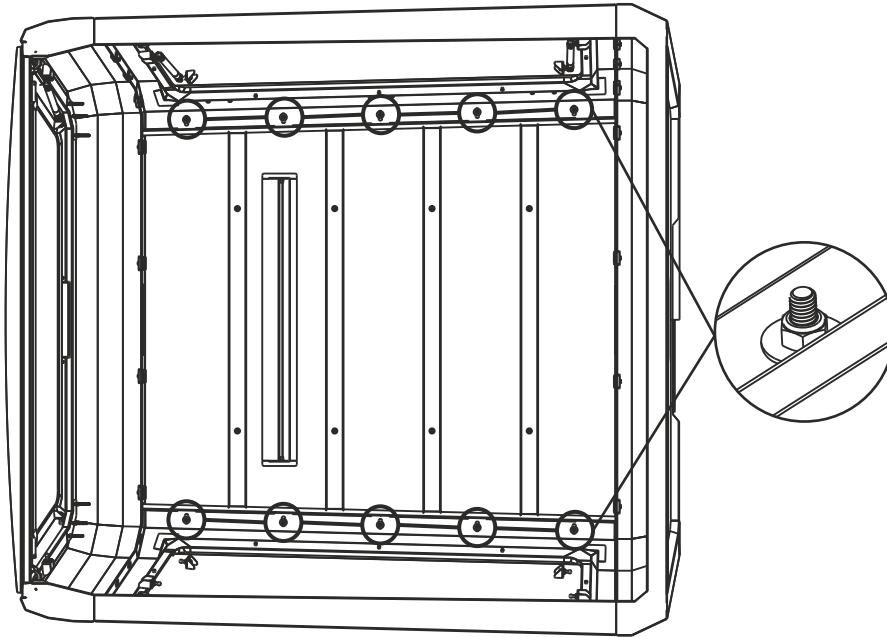
# ASSEMBLY OF THE SMARTCAP

## STEP SIX

1. ONCE THE SMARTCAP IS FULLY ASSEMBLED AND HAND TIGHTENED, PROCEED TO TORQUE THE FRONT AND REAR FLANGE FASTENERS 6.6 FT-LB, 79 IN-LB OR 9 NM.
2. PROCEED TO TORQUE THE M6 NYLOC NUTS WHICH WERE PREVIOUSLY HAND FASTENED TO THE ROOF, IN STEPS 2 & 3 (SEE FIGURE 8) 4.4 FT-LB, 53 IN-LB OR 6 NM.



FIGURE 8

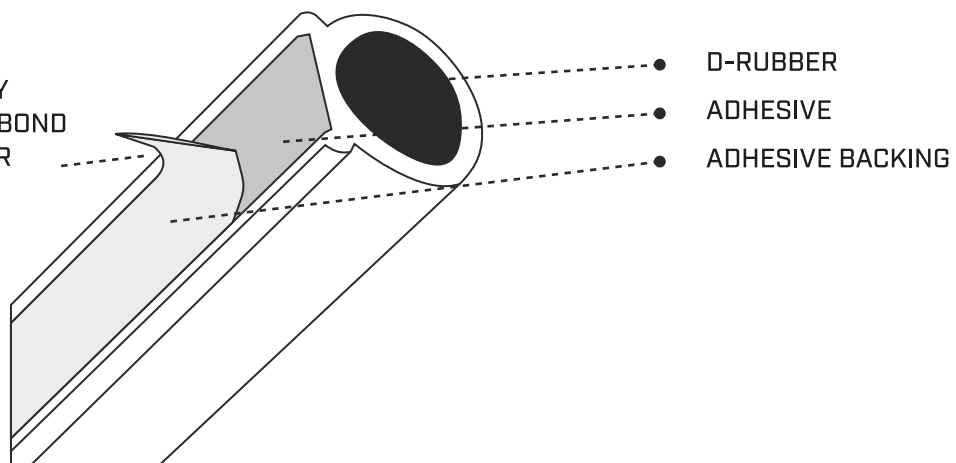


## STEP SEVEN

1. ONCE ALL HARDWARE IS TIGHTENED SUFFICIENTLY, PROCEED TO APPLY THE BOTTOM D - RUBBER / WEATHER STRIP.
2. REMOVE THE BACKING TAPE ON THE ADHESIVE STRIP SLOWLY AS YOU BOND THE RUBBER DOWN CAREFULLY.
3. APPLY THE D - RUBBER, STARTING ON THE RIGHT HAND SIDE OF THE REAR FLANGE. (SEE FIGURE 9, ON PAGE 12)

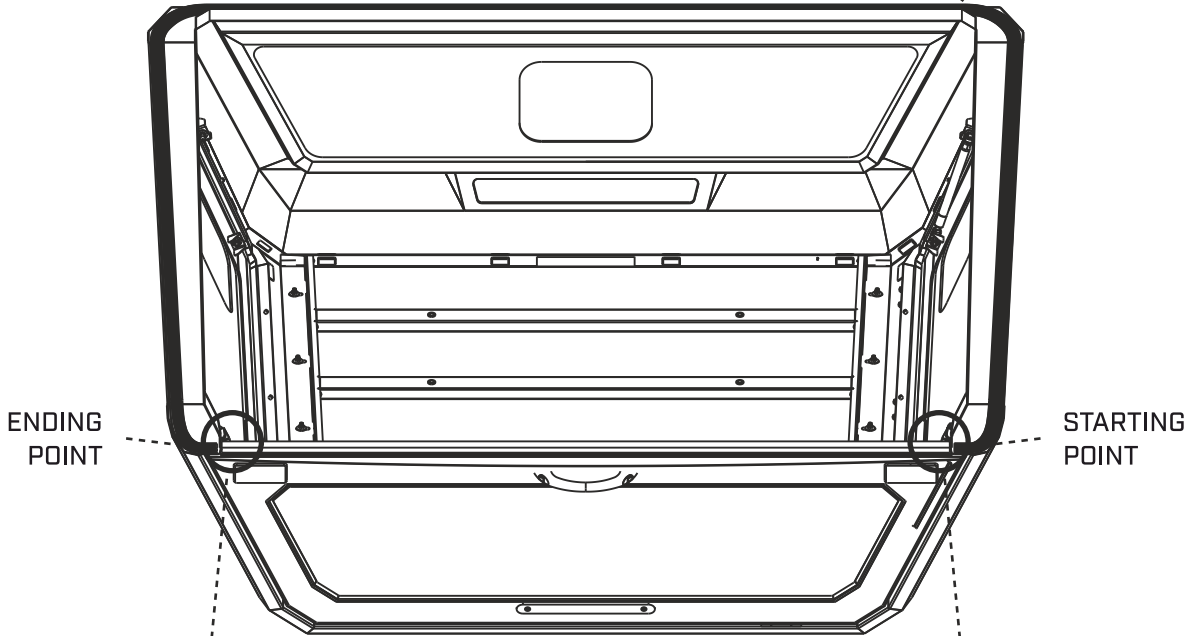


REMOVE GRADUALLY AS YOU CAREFULLY BOND DOWN THE WEATHER SEAL STRIP.

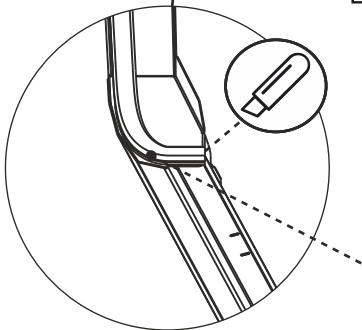


# ASSEMBLY OF THE SMARTCAP

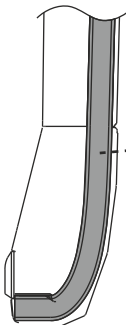
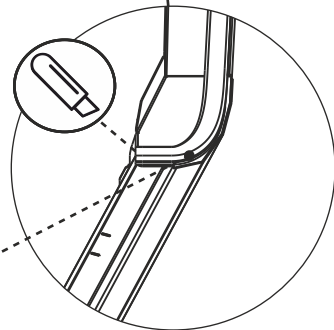
FOLLOW BOTTOM EDGE OF SMARTCAP  
FIGURE 9



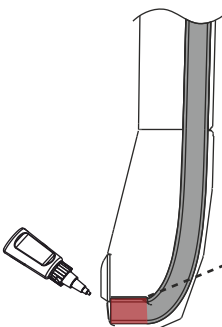
CUT STRAIGHT TO END OF FOOTPLATE.  
ENSURE IT IS A CLEAN STRAIGHT  
CUT WITH A SHARP  
BOX KNIFE OR  
SCISSORS.



APPLY TO END OF  
FLANGE FOOT PLATE.



**PLEASE NOTE:**  
APPLY D-RUBBER WEATHER STRIP  
AROUND BASE OF SMARTCAP.  
APPROXIMATELY 1/8" FROM THE EDGE.



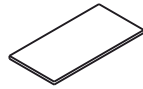
**PLEASE NOTE:**  
FOR BEST RESULTS, BOND THE ENDS  
OF THE D RUBBER WEATHER STRIP DOWN  
WITH SUPER GLUE.

# INSTALLATION COMPONENTS

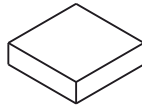
## FITMENT KIT CONTENT (HARDWARE)

GM SILVERADO  
GM COLORADO  
JEEP GLADIATOR  
DODGE RAM  
FORD F150  
FORD F250  
TOYOTA TUNDRA

[PG.15]



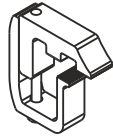
**6X** THIN RUBBER PAD



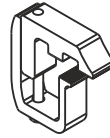
**8X** THICK RUBBER PAD



**1X** 5MM X 30MM FOAM SEAL TAPE



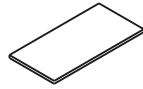
**6X** CLAMPS  
FORD F150 & F250  
GM SILVERADO  
GM COLORADO  
DODGE RAM  
TOYOTA TUNDRA



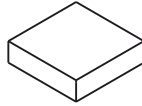
**6X** CLAMPS  
JEEP GLADIATOR  
WITHOUT TRAIL RAIL

JEEP GLADIATOR  
WITH TRAIL RAIL

[PG.16]



**6X** THIN RUBBER PAD



**8X** THICK RUBBER PAD



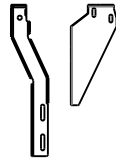
**1X** 5MM X 30MM FOAM SEAL TAPE



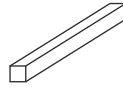
**6X** CLAMPS  
JEEP GLADIATOR

FORD RANGER

[PG.17]



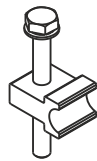
**4X** BRACKETS  
FORD RANGER



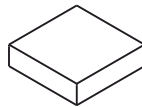
**1X** 20MM X 20MM FOAM SEAL TAPE

TOYOTA TACOMA

[PG.23]



**6X** CLAMPS  
TOYOTA TACOMA



**8X** THICK RUBBER PAD



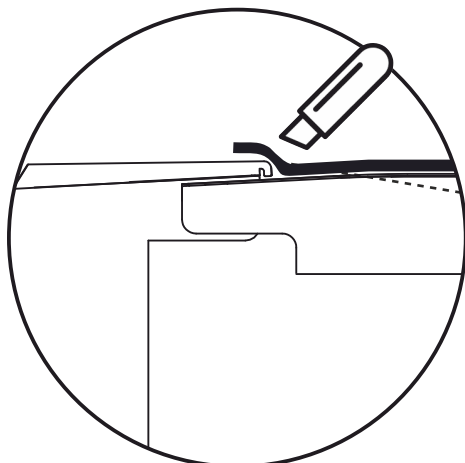
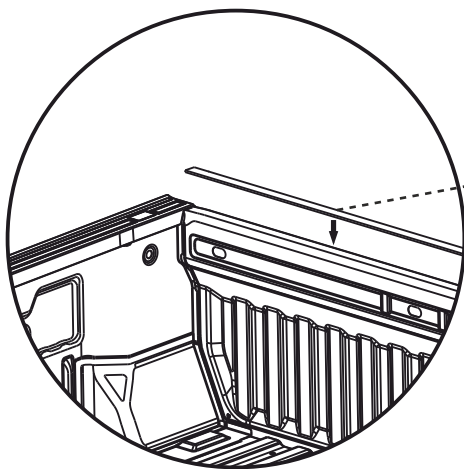
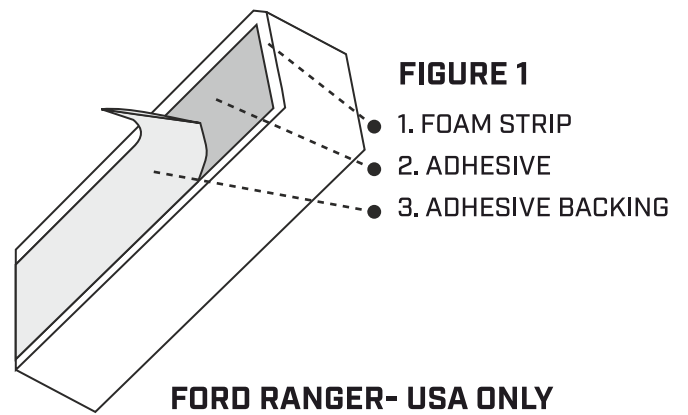
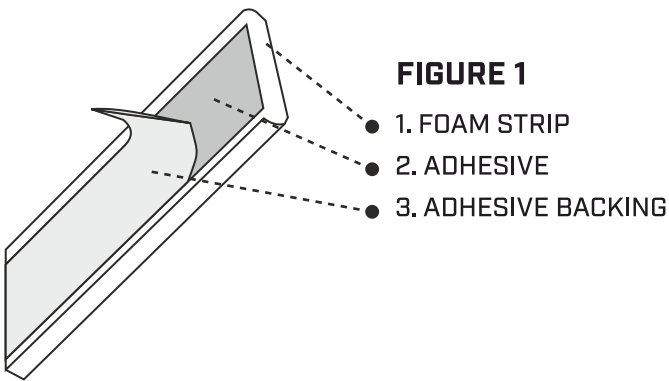
**1X** 5MM X 30MM FOAM SEAL TAPE

# INSTALLATION OF THE SMARTCAP

## STEP ONE



1. SOME TRUCK BEDS MAY HAVE HEIGHT DIFFERENCES BETWEEN THE SIDES AND FRONT OF THE TRUCK BED. IF THAT IS THE CASE WITH YOUR TRUCK BED, APPLY A FOAM STRIP TO THE LIP OF THE FRONT PANEL.
2. REMOVE THE ADHESIVE BACKING TAPE FROM THE FOAM STRIP. [SEE FIGURE 1 & 2]
3. APPLY FOAM STRIP ON THE FRONT LIP OF THE PICK UP BOX TO ACCOUNT FOR ANY HEIGHT DIFFERENCES BETWEEN THE PICKUP BOX SIDES AND THE FRONT PICKUP BOX PANEL. [SEE FIGURE 2]
4. CUT TO LENGTH [SEE FIGURE 3]



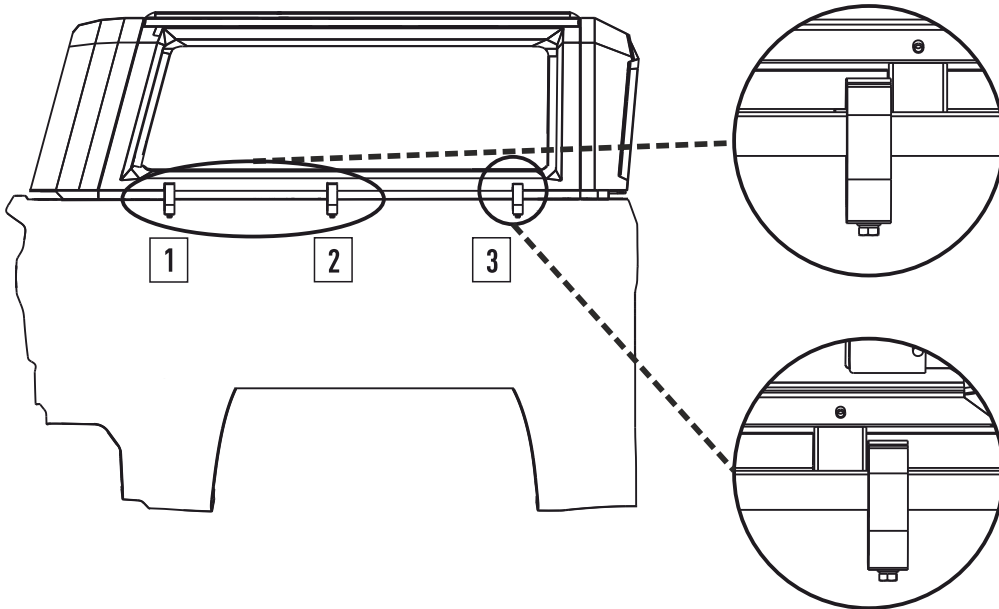
# INSTALLATION OF THE SMARTCAP

GM SILVERADO - GM COLORADO - JEEP GLADIATOR - DODGE RAM - FORD F-SERIES  
TOYOTA TUNDRA

## STEP ONE

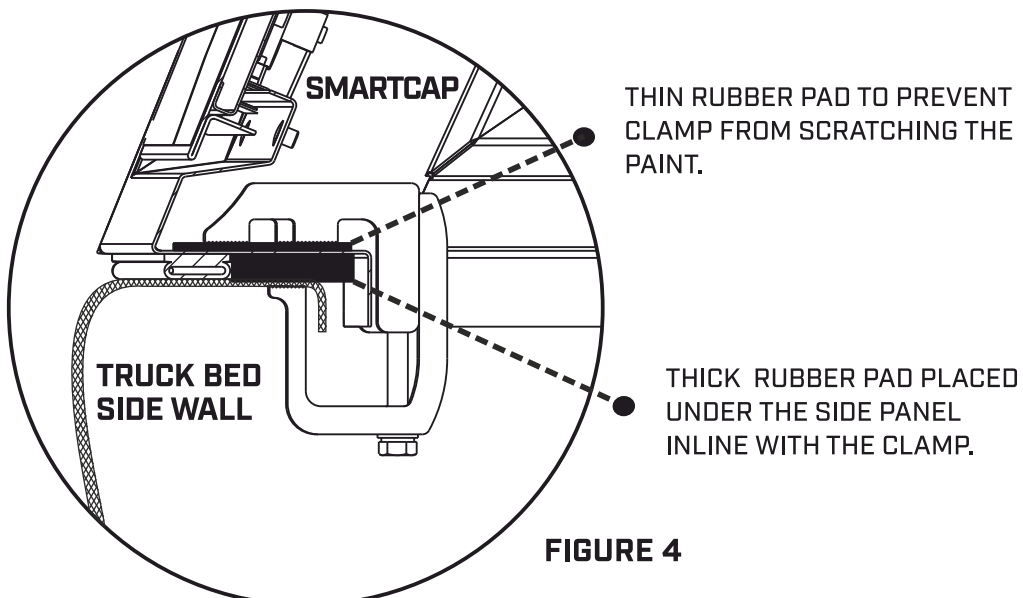


1. A MINIMUM OF FOUR PEOPLE ARE RECOMMENDED TO PICK UP AND PLACE THE SMARTCAP ONTO THE TRUCK.
2. TO KEEP FROM DAMAGING YOUR D-RUBBER DURING THE INSTALLATION PROCESS, IT IS IMPORTANT YOU LIFT THE SMARTCAP IN PLACE AND DO NOT DRAG IT ACROSS THE TRUCK BED RAILS.
3. ONCE THE SMARTCAP IS CENTERED, PLACE CLAMPS IN POSITION. (SEE FIGURE 3)
4. PLACE THE SUPPLIED THIN RUBBER PAD ON THE SIDE PANEL TO PREVENT CLAMP FROM SCRATCHING THE PAINT.
5. PLACE THE 10MM RUBBER PAD UNDER THE SIDE PANEL, BETWEEN THE PICKUP BOX AND THE SMARTCAP, DIRECTLY UNDER THE POSITION YOU INTEND TO INSTALL THE C CLAMP. (SEE FIGURE 4)
6. PLACE 3 RUBBER PADS IN LINE WITH CLAMPS ON THE BIN LINING, 4TH PAD TO BE PLACED AS A SPACER TOWARDS THE REAR OF THE BIN (SEE FIGURE 4.1), PROCEED TO SUFFICIENTLY TORQUE THE CLAMPS TO 9 FT-LB, 108 IN-LB OR 12.2 NM.

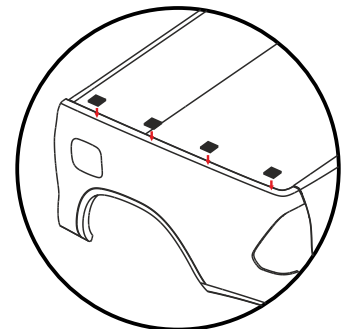


**FIGURE 3**

REPEAT THIS PROCEDURE ON THE OPPOSITE HAND SIDE OF THE VEHICLE.



**FIGURE 4**



**FIGURE 4.1**

# INSTALLATION OF THE SMARTCAP

## JEEP GLADIATOR - WITH TRAIL RAIL

### STEP ONE



1. A MINIMUM OF FOUR PEOPLE ARE RECOMMENDED TO PICK UP AND PLACE THE SMARTCAP ONTO THE TRUCK.
2. TO KEEP FROM DAMAGING YOUR D-RUBBER DURING THE INSTALLATION PROCESS, IT IS IMPORTANT YOU LIFT THE SMARTCAP IN PLACE AND DO NOT DRAG IT ACROSS THE TRUCK BED RAILS.
3. ONCE THE SMART CAP IS CENTERED, SLIDE THE BOTTOM HALF OF THE CLAMP INTO THE SLIDE RAILS OF THE TRUCK BED. (SEE FIGURE 3)
4. PLACE THE SUPPLIED THIN RUBBER PAD ON THE SIDE PANEL TO PREVENT CLAMP FROM SCRATCHING THE PAINT.
5. PLACE THE 10MM RUBBER PAD UNDER THE SIDE PANEL, BETWEEN THE PICKUP BOX AND THE SMARTCAP, DIRECTLY UNDER THE POSITION YOU INTEND TO INSTALL THE C CLAMP. (SEE FIGURE 5)
6. PLACE 3 RUBBER PADS INLINE WITH CLAMPS ON THE BIN LINING, 4TH PAD TO BE PLACED AS A SPACER TOWARDS THE REAR OF THE BIN (SEE FIGURE 2), PROCEED TO SUFFICIENTLY TORQUE THE CLAMPS TO 9 FT-LB, 108 IN-LB OR 12.2 NM.

FIGURE 2

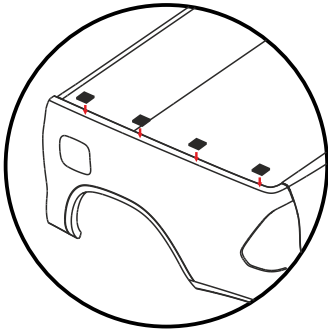
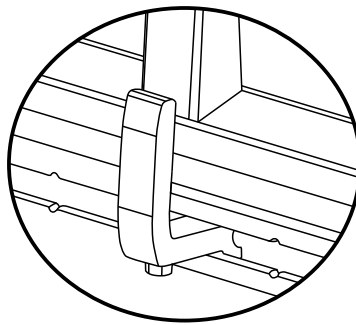


FIGURE 3



SLIDE BOTTOM HALF OF CLAMP INTO SLIDE RAIL OF TRUCK BED.

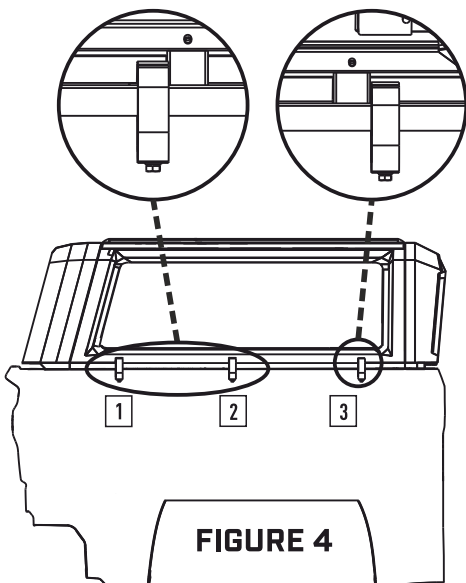
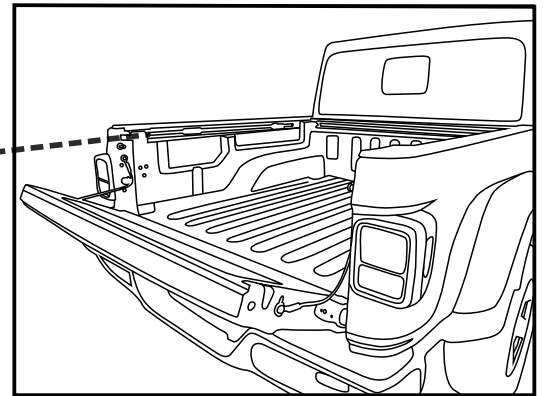
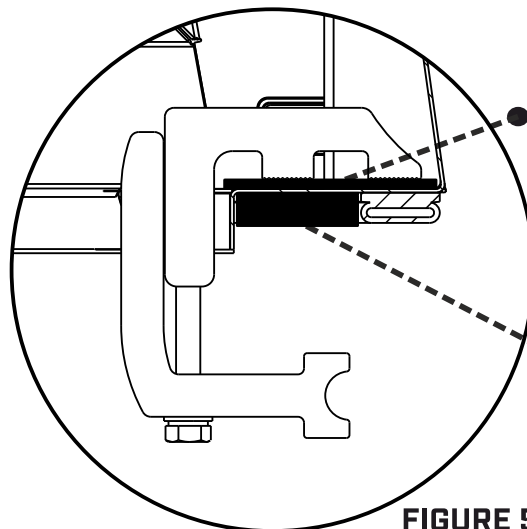


FIGURE 4



THIN RUBBER PAD TO PREVENT CLAMP FROM SCRATCHING THE PAINT.

THICK RUBBER PAD PLACED UNDER THE SIDE PANEL INLINE WITH THE CLAMP.

FIGURE 5



# INSTALLATION OF THE SMARTCAP

FORD RANGER

## STEP ONE



1. SOME TRUCK BEDS MAY HAVE HEIGHT DIFFERENCES BETWEEN THE SIDES AND FRONT OF THE TRUCK BED. IF THAT IS THE CASE WITH YOUR TRUCK BED, APPLY A FOAM STRIP TO THE LIP OF THE FRONT PANEL.
2. REMOVE THE ADHESIVE BACKING TAPE FROM THE FOAM STRIP. [SEE FIGURE 1]
3. APPLY FOAM STRIP ON THE FRONT LIP OF THE PICK UP BOX TO ACCOUNT FOR ANY HEIGHT DIFFERENCES BETWEEN THE PICKUP BOX SIDES AND THE FRONT PICKUP BOX PANEL. [SEE FIGURE 2]
4. CUT TO LENGTH. [SEE FIGURE 3]

FIGURE 1

- 1. FOAM STRIP
- 2. ADHESIVE
- 3. ADHESIVE BACKING

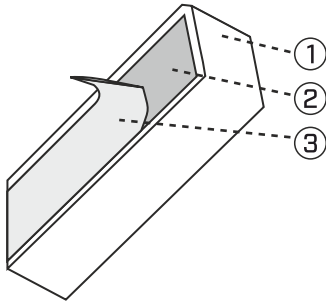


FIGURE 2

- FOAM STRIP FRONT PICKUP BOX PANEL

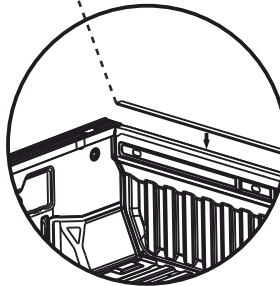
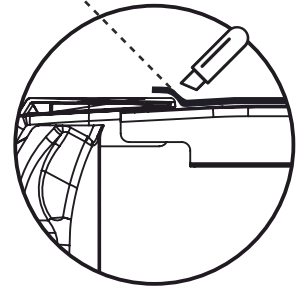


FIGURE 3

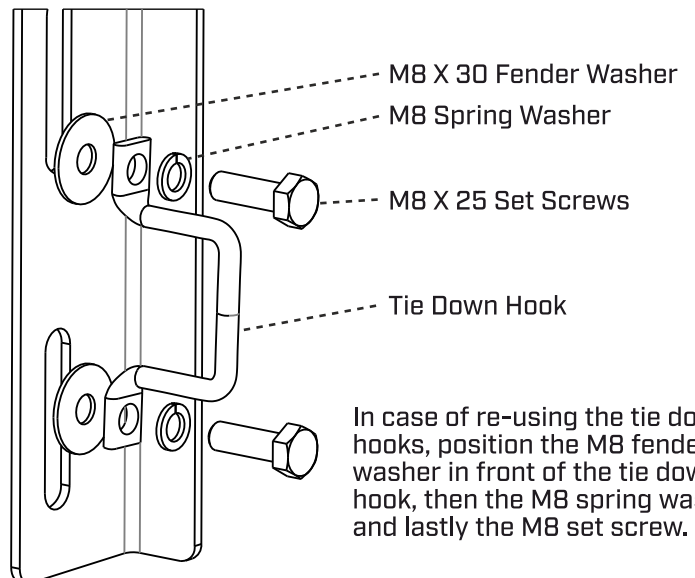
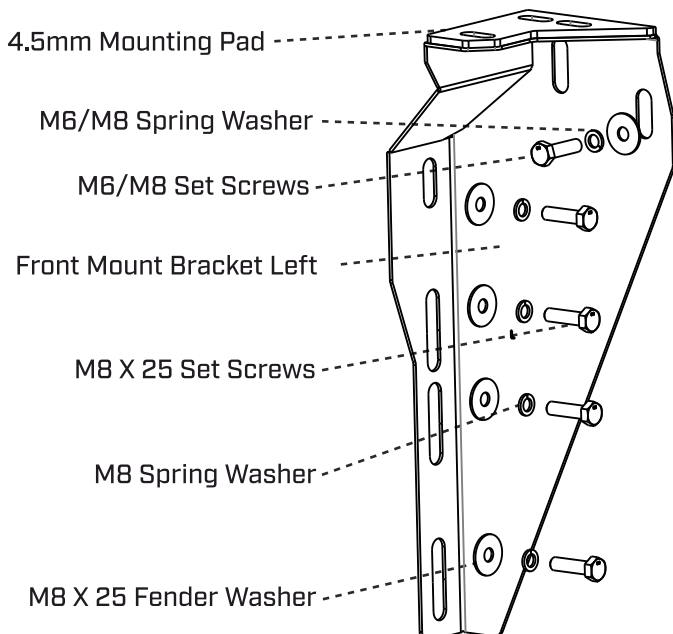
- FOAM STRIP TRIM EXCESS FOAM STRIP



## STEP TWO



1. POSITION THE FRONT MOUNT BRACKET IN THE FRONT LEFT HAND CORNER OF THE LOAD BIN.
2. USE ONE M6/M8 SET SCREW, WITH M6/M8 SPRING WASHER AND M6/M8 FENDER WASHER TO LOOSELY SCREW THE BRACKET TO THE FRONT OF THE LOAD BIN.
3. USE FOUR M8 X 25 SET SCREWS WITH FOUR M8 SPRING WASHERS AND M8 X 25 FENDER WASHERS TO FASTEN THE BRACKET TO THE SIDE OF THE LOAD BIN
4. REPEAT THIS PROCESS IN THE FRONT MOUNT BRACKET RIGHT HAND SIDE IN THE FRONT RIGHT HAND CORNER OF THE LOAD BIN.



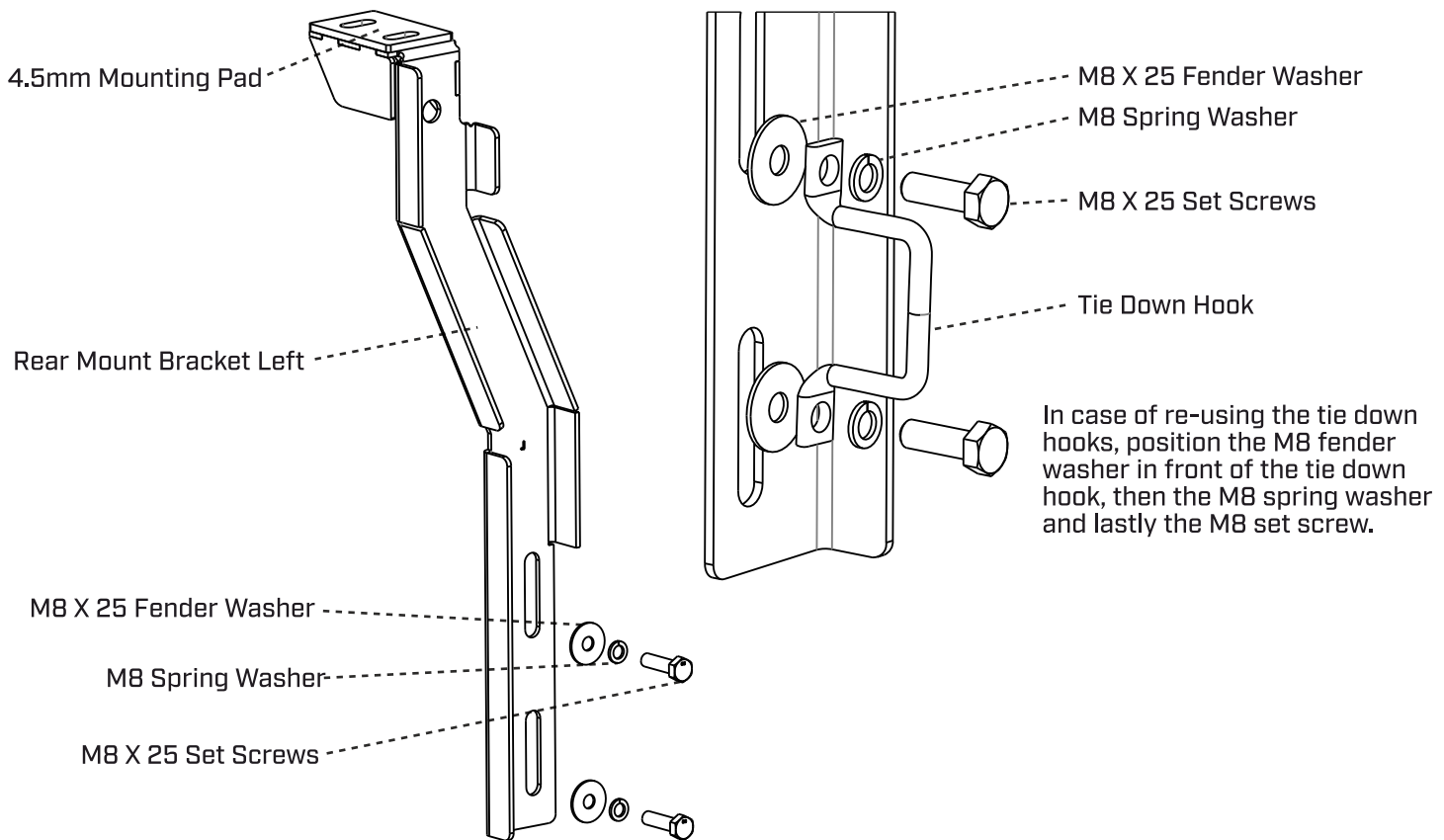
In case of re-using the tie down hooks, position the M8 fender washer in front of the tie down hook, then the M8 spring washer and lastly the M8 set screw.

# INSTALLATION OF THE SMARTCAP

FORD RANGER

## STEP THREE

1. POSITION THE REAR MOUNT BRACKET LEFT HAND IN THE REAR LEFT HAND CORNER OF THE LOAD BIN.
2. USE TWO M8 X 25 SET SCREWS WITH M8 SPRING WASHERS AND M8 X 25 FENDER WASHERS TO LOOSELY SCREW THE BRACKET TO THE REAR OF THE LOAD BIN.
3. REPEAT THIS PROCESS IN THE REAR MOUNT BRACKET RIGHT HAND SIDE IN THE REAR RIGHT HAND CORNER OF THE LOAD BIN.



## STEP FOUR

1. PLACE THE SMARTCAP ONTO THE LOAD BIN.
2. PLEASE LIFT WITH CAUTION TO PREVENT POSSIBLE INJURY. IT IS RECOMMENDED THAT A MINIMUM OF FOUR PEOPLE ARE USED TO LIFT THE SMARTCAP.
3. MAKE SURE THE CAP IS IN ITS CORRECT POSITION BY LINING UP THE SLOTS ON THE SMARTCAP WITH THE SLOTS ON THE MOUNTING BRACKETS.

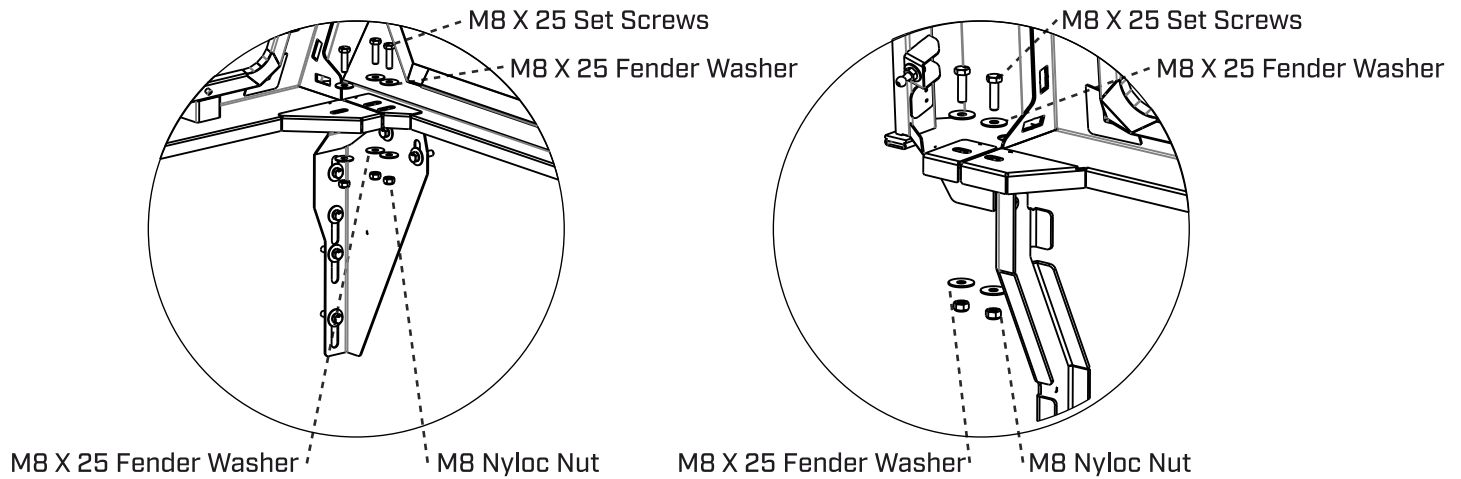
# INSTALLATION OF THE SMARTCAP

FORD RANGER

## STEP FIVE



1. USE SIX M8 X 30 SET SCREWS WITH TWELVE M8 X 25 FENDER WASHERS AND SIX M8 NYLOC NUTS TO LOOSELY FASTEN THE SMARTCAP TO THE FRONT MOUNT BRACKETS.
2. USE FOUR M8 X 25 SET SCREWS WITH EIGHT M8 X 25 FENDER WASHERS AND FOUR M8 NYLOC NUTS TO LOOSELY FASTEN SMARTCAP TO THE REAR MOUNT BRACKETS.
3. ONCE ALL THE SET SCREWS ARE IN THEIR CORRECT POSITIONS, FASTEN TO 12NM OR 8.9 FT-LBS.



# INSTALLATION OF THE SMARTCAP

TOYOTA TACOMA

## STEP ONE



1. PICK UP THE RSI SMARTCAP, A MINIMUM OF FOUR PEOPLE ARE RECOMMENDED, PLACE ONTO THE PICKUPS LOADBIN AND ENSURE THE RSI SMARTCAP IS CENTERED.
2. ONCE THE RSI SMARTCAP IS CENTERED, SLIDE CLAMPS INTO THE BIN MOUNTING RAILS PLEASE NOTE THERE ARE 3 CLAMPS PER SIDE (SEE FIGURE 4)
3. REPEAT THIS PROCESS ON THE OPPOSITE SIDE OF THE PICKUP.
4. PLACE 3 RUBBER PADS INLINE WITH CLAMPS ON THE BIN LINING, 4TH PAD TO BE PLACED AS A SPACER TOWARDS THE REAR OF THE BIN (SEE FIGURE 4.1)

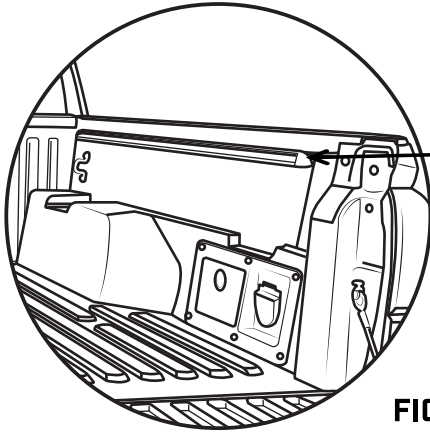


FIGURE 4

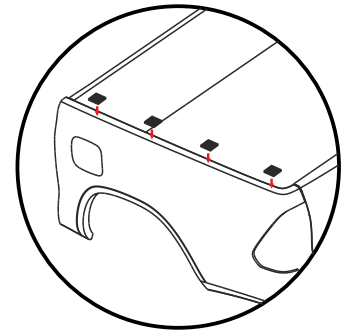
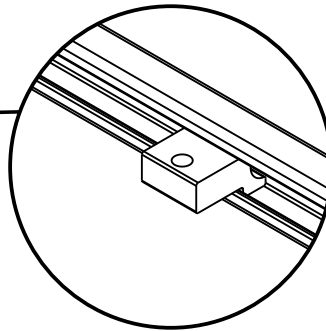


FIGURE 4.1

## STEP TWO

1. SLIDE THE CLAMPS ALONG THE SIDE RAIL, ALIGN WITH MOUNTING HOLES. (SEE FIGURES 5)
2. WORK WITH CAUTION TO PREVENT DAMAGE.
3. REPEAT THIS PROCESS ON THE OPPOSITE SIDE OF THE PICKUP.

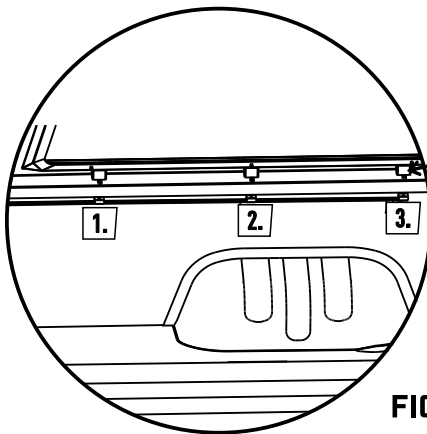
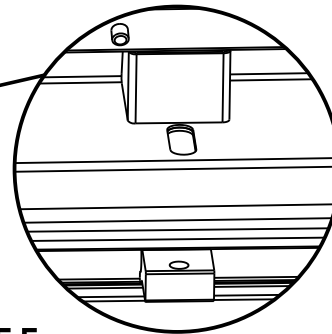


FIGURE 5



## STEP THREE

1. THREAD THE FASTENING BOLTS THROUGH THE SLOTS IN THE RSI SMARTCAP.
2. TORQUE TO 9FT-LB, 108 IN-LB OR 12.2 NM.
3. PLEASE USE CAUTION WHEN TIGHTENING TO AVOID ANY DAMAGE.
4. SEE FIGURE 6 BELOW FOR MORE CLARITY.

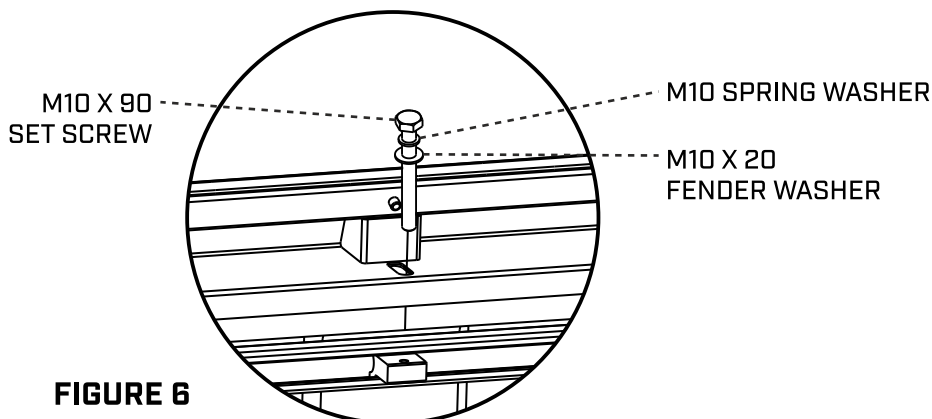


FIGURE 6

# THIRD BRAKE LIGHT WIRING

GM SILVERADO - GM COLORADO - DODGE RAM - FORD F-SERIES - FORD RANGER  
TOYOTA TUNDRA

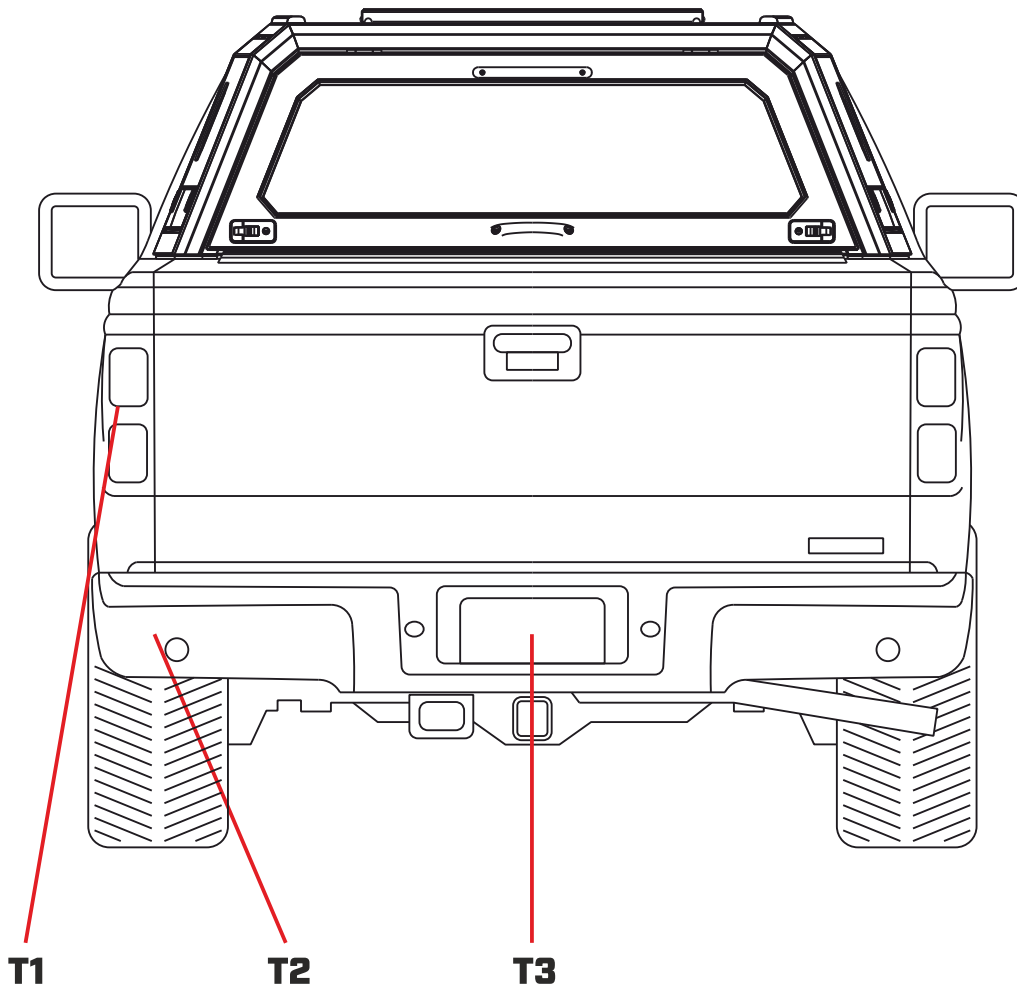


## WARNING

- VEHICLE SHOULD BE TURNED OFF WHEN INSTALLING THE T-HARNESS.
- ALL STEPS MUST BE FOLLOWED TO ENSURE THE CORRECT FUNCTION OF THE THIRD BRAKE LIGHT AND TRAILER PLUG.
- TO VERIFY PROPER INSTALLATION, TEST BY CONNECTING A TEST LIGHT OR PROPERLY WIRED TRAILER.



**1X** THIRD BRAKE LIGHT  
WIRE HARNESS



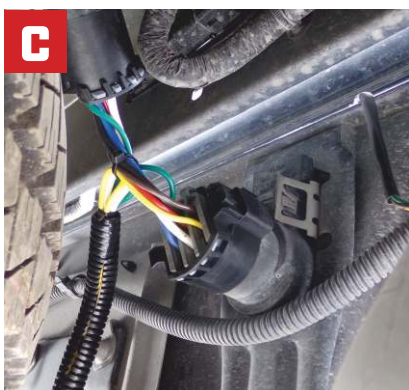
# WIRING REFERENCE GUIDE



**A** REMOVE TAILLIGHT HOUSING



**B** LOCATE FACTORY 7-WAY



**C** CONNECTED T HARNESS



**D** ROUTING THE WIRE HARNESS



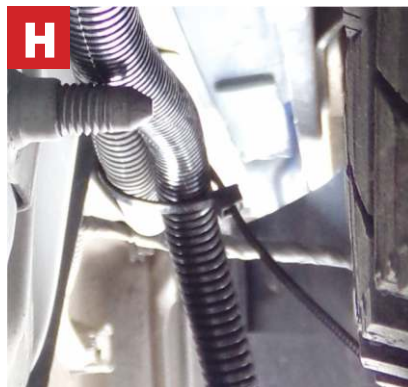
**E** ROUTING THE WIRE HARNESS



**F** ROUTE WIRE HARNESS THROUGH UP TO THE CONTROL BOX



**G** ROUTE WIRE HARNESS BEHIND TAILLIGHT



**H** SECURELY ZIP TIE HARNESS

# FOR VEHICLES WITH A FACTORY 7 WAY

## STEP ONE

- WITHOUT DISCONNECTING THE TAILLIGHT, REMOVE THE DRIVER' S SIDE TAILLIGHT ASSEMBLY, REVEALING THE CAVITY BEHIND THE TAILLIGHT. **REFER TO [T1] AND PICTURE (A)**

## STEP TWO

- LOCATE THE FACTORY 7-WAY CONNECTOR ATTACHED TO EITHER THE BUMPER OR HITCH.
- REMOVE THE PLUG FROM THE BACK OF THE FACTORY 7-WAY CONNECTOR. **REFER TO [T3] AND PICTURE (B)**

## STEP THREE

- INSERT THE SUPPLIED T-HARNESS BETWEEN THE FACTORY PLUG AND THE FACTORY 7-WAY CONNECTOR. BE SURE THAT BOTH ENDS OF THE T-HARNESS ARE FULLY INSERTED WITH THE LOCKING TABS IN PLACE. **REFER TO PICTURE (C)**

## STEP FOUR

- ROUTE THE 2 PIN PLUG ON THE T-HARNESS ALONG THE BACK SIDE OF THE REAR BUMPER TOWARDS THE DRIVER'S SIDE TAILLIGHT. **REFER TO PICTURE (D)**

## STEP FIVE

- LOCATE THE CABLE CHASE THAT THE TAILLIGHT WIRING IS RUNNING THROUGH AND ROUTE THE 2 PIN PLUG FROM THE T-HARNESS INTO THE TAILLIGHT CAVITY. **REFER TO PICTURE (E)**

## STEP SIX

- PULL THE WIRE HARNESS THROUGH THE CABLE CHASE UP TO THE BLACK BOX ON THE WIRE HARNESS. **REFER TO PICTURE (F)**

## STEP SEVEN

- FROM YOUR SMARTCAP, ROUTE THE THIRD BRAKE LIGHT 2-PIN PLUG THROUGH THE TRUCK'S REAR BED POST AND INTO THE TAILLIGHT CAVITY.

## STEP EIGHT

- CONNECT THE 2-PIN PLUG FROM THE T-HARNESS TO THE SMARTCAP'S THIRD BRAKE LIGHT 2-PIN CONNECTOR. REINSTALL THE DRIVER'S SIDE TAILLIGHT ASSEMBLY. **REFER TO PICTURE (G)**

## STEP NINE

- START YOUR TRUCK. PLEASE NOTE, ON SOME TRUCKS IT MAY TAKE 30 SECONDS FOR THE VEHICLE TO DETECT THE CONNECTION. TEST THE BRAKE LIGHTS AND TURN SIGNALS. CHECK TO MAKE SURE PROPER TURN SIGNAL FUNCTIONALITY WHEN THE BRAKE LIGHTS ARE ON.

## STEP TEN

- ONCE YOU ARE SURE EVERYTHING IS FUNCTIONING CORRECTLY, SECURE THE CONTROL BOX AND THE WIRING HARNESS BEHIND THE REAR BUMPER USING ZIP TIES. BE SURE THAT THE WIRING HARNESS DOES NOT INTERFERE WITH ANY MOVING PARTS OF THE VEHICLE. **REFER TO PICTURE (H)**

After the installation of the wiring harness on some vehicles you might get an error for a disconnected trailer. If this error occurs and your vehicle is equipped with vehicle towing software, navigate in the software and manually enable power to the 7-way. This might appear as "enable auxiliary" or "enable trailer". If CHMSL does not work, shut engine off. Wait 10 seconds and restart engine. Wait an additional 10 seconds for the vehicle to detect CHMSL.

**WARNING: ALWAYS TEST TRAILER LIGHT FUNCTIONS WHEN ATTACHING A TRAILER WHILE USING THIS SYSTEM.**

# FOR VEHICLES WITHOUT A FACTORY 7 WAY

## STEP ONE

- WITHOUT DISCONNECTING THE TAILLIGHT, REMOVE THE DRIVER' S SIDE TAILLIGHT ASSEMBLY, REVEALING THE CAVITY BEHIND THE TAILLIGHT. **REFER TO (T1) AND PICTURE (A)**

## STEP TWO

- LOCATE THE TOW VEHICLE'S TRAILER HARNESS PLUG. THIS HARNESS IS LOCATED UNDER THE VEHICLE, BEHIND THE BUMPER, ON THE DRIVER'S SIDE OF THE TRUCK. **REFER TO (T2)**

## STEP THREE

- REMOVE THE PROTECTIVE CAP FROM THE PLUG AND SAVE. CHECK TO SEE THAT THE MATING SURFACE OF THE HOUSING IS FREE OF DIRT AND CLEAN IF NECESSARY.

## STEP FOUR

- INSERT THE T-CONNECTOR INTO THE VEHICLE'S PLUG. BE SURE THAT THE T-CONNECTOR IS FULLY INSERTED WITH LOCKING TABS IN PLACE.
- PLACE PROTECTIVE CAP ON THE REMAINING PLUG END.

## STEP FIVE

- ROUTE THE 2 PIN PLUG ON THE T-HARNESS ALONG THE BACK SIDE OF THE REAR BUMPER TOWARDS THE DRIVER'S SIDE TAILLIGHT. **REFER TO PICTURE (D)**

## STEP SIX

- LOCATE THE CABLE CHASE THAT THE TAILLIGHT WIRING IS RUNNING THROUGH AND ROUTE THE 2 PIN PLUG FROM THE T-HARNESS INTO THE TAILLIGHT CAVITY. **REFER TO PICTURE (E)**

## STEP SEVEN

- PULL THE WIRE HARNESS THROUGH THE CABLE CHASE UP TO THE BLACK BOX ON THE WIRE HARNESS. **REFER TO PICTURE (F)**

## STEP EIGHT

- FROM YOUR SMARTCAP, ROUTE THE THIRD BRAKE LIGHT 2-PIN PLUG THROUGH THE TRUCK'S REAR BED POST AND INTO THE TAILLIGHT CAVITY.

## STEP NINE

- CONNECT THE 2-PIN PLUG FROM THE T-HARNESS TO THE SMARTCAP'S THIRD BRAKE LIGHT 2-PIN CONNECTOR.
- REINSTALL THE DRIVER'S SIDE TAILLIGHT ASSEMBLY. **REFER TO PICTURE (G)**

## STEP TEN

- START YOUR TRUCK. PLEASE NOTE, ON SOME TRUCKS IT MAY TAKE 30 SECONDS FOR THE VEHICLE TO DETECT THE CONNECTION. TEST THE BRAKE LIGHTS AND TURN SIGNALS. CHECK TO MAKE SURE PROPER TURN SIGNAL FUNCTIONALITY WHEN THE BRAKE LIGHTS ARE ON.

## STEP ELEVEN

- ONCE YOU ARE SURE EVERYTHING IS FUNCTIONING CORRECTLY, SECURE THE CONTROL BOX AND THE WIRING HARNESS BEHIND THE REAR BUMPER USING ZIP TIES. BE SURE THAT THE WIRING HARNESS DOES NOT INTERFERE WITH ANY MOVING PARTS OF THE VEHICLE.



# THIRD BRAKE LIGHT WIRING

TOYOTA TACOMA



## WARNING

- VEHICLE SHOULD BE TURNED OFF WHEN INSTALLING THE T-HARNESS.
- ALL STEPS MUST BE FOLLOWED TO ENSURE THE CORRECT FUNCTION OF THE THIRD BRAKE LIGHT AND TRAILER PLUG.
- TO VERIFY PROPER INSTALLATION, TEST BY CONNECTING A TEST LIGHT OR PROPERLY WIRED TRAILER.



**1X** 3RD REAR BRAKE LIGHT  
WIRE HARNESS

# WIRING REFERENCE GUIDE



# WIRING REFERENCE GUIDE

## STEP ONE

- REMOVE THE LEFT HAND SIDE TAILLIGHT ASSEMBLY, REVEALING THE CAVITY BEHIND THE TAILLIGHT. REFER TO PICTURE (A)

## STEP TWO

- LOCATE THIRD BRAKE LIGHT 2-PIN PLUG HANGING OFF THE SMARTCAP ON THE LEFT HAND SIDE NEAR THE TAILGATE AND CONNECT THE T-HARNESS TO IT. REFER TO PICTURE (B)

## STEP THREE

- INSERT THE SUPPLIED T-HARNESS BETWEEN THE FACTORY PLUG AND THE FACTORY 7-WAY CONNECTOR. BE SURE THAT BOTH ENDS OF THE T-HARNESS ARE FULLY INSERTED WITH THE LOCKING TABS IN PLACE. REFER TO PICTURE (C1,2,3 & 4)

## STEP FOUR

- DISCONNECT THE BRAKE LIGHT CABLE (MALE END) FROM THE TAILLIGHT ASSEMBLY AND CONNECT IT TO THE T-HARNESS (FEMALE CONNECTOR). THEN CONNECT THE T-HARNESS (MALE END) TO THE TAILLIGHT ASSEMBLY. REFER TO PICTURE (D)

## STEP FIVE

- TEST THE BRAKE LIGHTS AND TURN SIGNALS. CHECK TO MAKE SURE PROPER TURN SIGNAL FUNCTIONALITY WHEN THE BRAKE LIGHTS ARE ON.

## STEP SIX

- ONCE YOU ARE SURE EVERYTHING IS FUNCTIONING CORRECTLY, RE-INSTALL THE TAILLIGHT ASSEMBLY.

## STEP SEVEN

- THERE WILL BE EXCESS CABLE UNDER YOUR VEHICLE THAT YOU SHOULD SECURE USING A ZIP-TIE. REFER TO PICTURE (E)

# SMARTCAP™

Thank you for purchasing your SmartCap. Should you have any inquiries about the Assembly & Installation, please feel free to contact us.