

FFMD8G

FORD

Front suspension package Ensemble pour suspension avant Ensemble para suspensión de delantero

INSTALLATION INSTRUCTIONS

- Partially raise vehicle.
- Remove existing bump stop located on top of U-bolt plate.
- Install Aeon rubber spring on top of Timbren bracket using Timbren supplied fastener.
- Mount Timbren bracket using existing hole and OE fastener.
- Lower vehicle.

Overall Height: 5 5/8"

Do not exceed vehicle manufacturer's recommended axle weight rating. Check for AEON® interference with vehicle components - Under load AEON® will "expand" in diameter.

INSTRUCTIONS DE MONTAGE

- Soulevez partiellement le véhicule.
- Retirez la butée existante située sur le dessus de la plaque de boulon en U.
- Installez le ressort en caoutchouc Aeon sur le dessus du support Timbren à l'aide de la fixation fournie par Timbren.
- Montez le support Timbren en utilisant le trou existant et la fixation OE.
- Abaissez le véhicule.

Hauteur totale: 5 5/8"

Ne pas dépasser le poids nominal sur l'essieu recommandé par le fabricant du véhicule. Vérifier que le ressort AEON® n'a pas d'incidence sur d'autres pièces du véhicule - Le ressort AEON® augmentera son diamètre avec la charge.

INSTRUCCIONES DE INSTALACIÓN

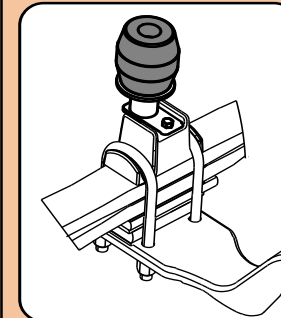
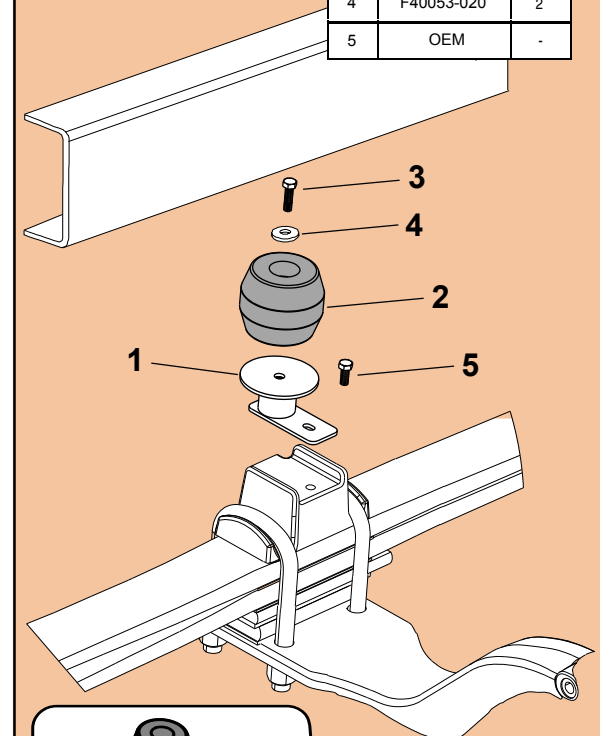
- Levantar parcialmente el vehículo.
- Quite el tope existente ubicado en la parte superior de la placa del perno en U.
- Instale el resorte de goma Aeon en la parte superior del soporte de Timbren usando el sujetador provisto por Timbren.
- Monte el soporte Timbren utilizando el orificio existente y el sujetador OE.
- Bajar vehículo.

Altura total: 5 5/8"

No exceda la carga nominal en el eje recomendada por el fabricante del vehículo. Compruebe que no haya interferencia entre el resorte AEON® y los otros componentes del vehículo. Bajo carga, el resorte AEON® se ampliará en diámetro.

Ref. = Reference = No. de référence = Núm. de referencia
Part = Part #. = No. de pièce = Núm. de pieza
Qty. = Quantity = Quantité = Cantidad

Ref	Part	Qty
1	K11027-003	2
2	A0103B-75E00	2
3	F11102-150	2
4	F40053-020	2
5	OEM	-



TIMBREN

Clearance Instructions

Front SES kits are usually in full contact.

Rear SES kits for Light Duty Trucks and Cube Vans should have 1/2" to 1-1/2" gap between rubber spring and contact point when empty. A partial load, or vehicle accessories will reduce or eliminate gap.

Medium and Heavy-Duty Trucks, Trailers and Motorhomes will be in constant contact, and have no gap.

Lifetime Warranty

Timbren SES - Suspension Enhancement Systems kits are warranted against defects in material and workmanship, under normal use and service, for the life of the vehicle on which the kit was originally installed. The warranty is non-transferable and proof of the date of purchase and purchaser is required.

This warranty is limited to the replacement of the failed parts and does not include labor, freight, collateral damage or ancillary costs which may arise as a result of the failed part. For vehicles subjected to exceptionally high use and service, the warranty is limited to the lesser of 5 years (from date of purchase) or 400,000 km (approx. 250,000 miles).

Timbren retains the right to make its own inspection of the failed part to determine the validity of the claim. Timbren shall not be liable nor warrant the product in the event of alteration, misuse, overload, negligence nor damage caused by others

100 Day Money Back Guarantee

Timbren Industries offers a 100 Day Money Back Guarantee on all our SES and Active Off-Road Bumpstop products. If our product does not do what we claim it can do call our expert Customer Service Team. 1-800-263-3113 or email sales@timbren.com. Our team will do they're absolute best to resolve your issue and get you towing and hauling like the pros or your money back.

